

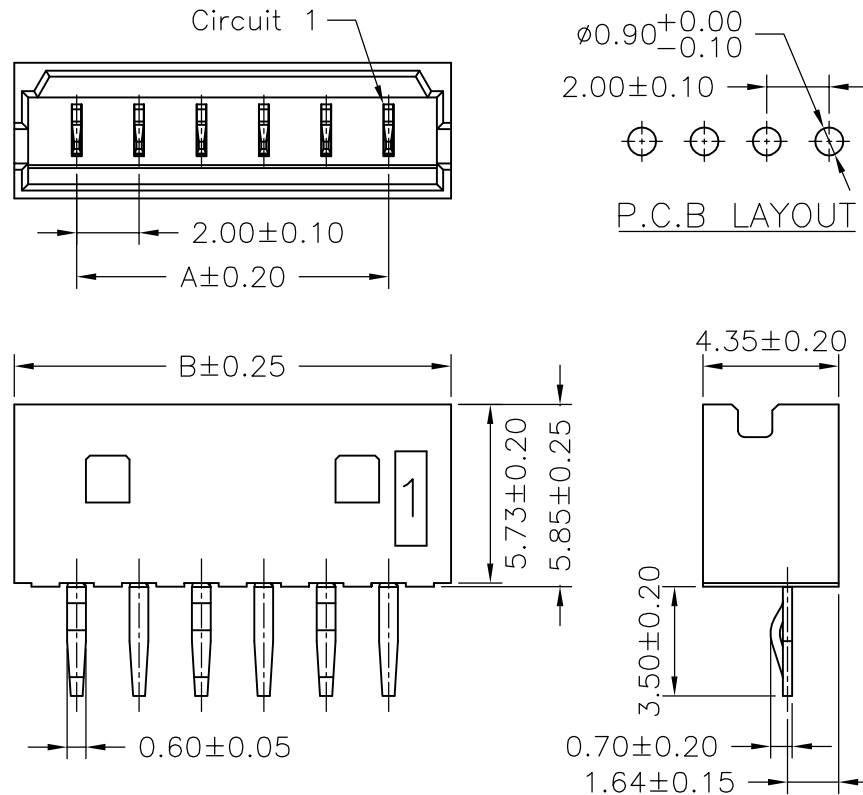
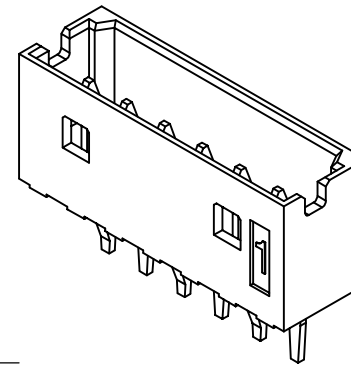
SPECIFICATIONS

Current Rating: 2A AC,DC
 Voltage Rating: 125V AC,DC
 Temperature Range: -25°C ~ +85°C
 Contact Resistance: 20mΩ Max.
 Insulation Resistance: 1000MΩ Min.
 Withstanding Voltage: 800V AC/minute
 Pin Material: Phosphor Bronze/Tin-plated
 Material: Nylon 66,UL94V-0
 Pantone Color: 4685C

Ordering Information & Dimensions

PART NO.	Dimensions	
	A	B
MH-D-02	2.00	6.00
MH-D-03	4.00	8.00
MH-D-04	6.00	10.00
MH-D-05	8.00	12.00
MH-D-06	10.00	14.00
MH-D-07	12.00	16.00
MH-D-08	14.00	18.00
MH-D-09	16.00	20.00
MH-D-10	18.00	22.00
MH-D-11	20.00	24.00
MH-D-12	22.00	26.00
MH-D-13	24.00	28.00
MH-D-14	26.00	30.00
MH-D-15	28.00	32.00

MH-D-xx-LF
 LEADFREE
 RoHS Compliant



<p>www.allconnectors.eu info@allconnectors.eu Tel. +49 (0)711 / 358 110 20 Fax +49 (0)711 / 358 110 25</p>		PART NO. MH-D-xx		TOLERANCES ARE .X ± 0.2 .XX ± .XXX ± AWG	DESCRIP TION:			
		DWG NO. MH-D-xx						
FILE NO.		DRAWING BY			AREA	REVISIONS	HK	DATE
UNIT / mm	SCALE 1:1	PROJECTION						