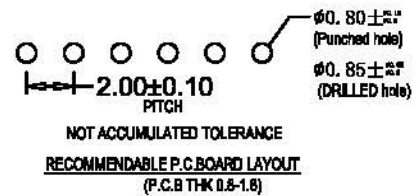
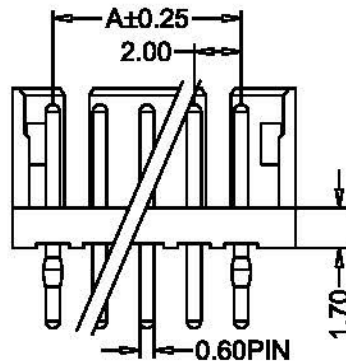
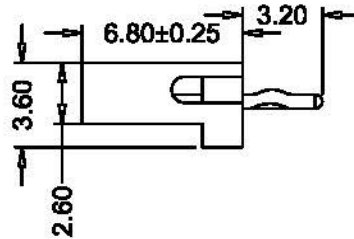
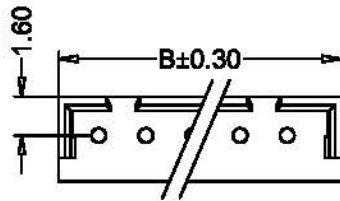
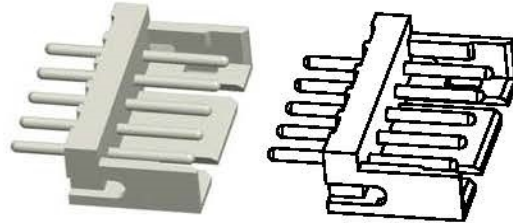


2.0mm(.079") Wire To Board Connector



SPECIFICATIONS:

- Current Rating:3AAC,DC
- Voltage Rating:125V AC,DC
- Operating Temperature:-30°C~+105°C
- Contact Resistance:10mΩ max.
- Insulation Resistance:1000MΩ Min.
- Withstanding Voltage:1000V AC/minute
- Material:Housing:PA66 UL94V-0
Pin:Brass ,Tin plated



Ordering Information And Dimensions

Part NO.		Dimensions		Part NO.		Dimensions	
TYP UL94V-0	Circuits	Dim:A	Dim:B	TYP UL94V-0	Circuits	Dim:A	Dim:B
M20021-2-W	2	2.00	5.96	M2002-9-W	9	16.00	19.96
M20021-3-W	3	4.00	7.96	M2002-10-W	10	18.00	21.96
M20021-4-W	4	6.00	9.96	M2002-11-W	11	20.00	23.96
M20021-5-W	5	8.00	11.96	M2002-12-W	12	22.00	25.96
M20021-6-W	6	10.00	13.96	M2002-13-W	13	24.00	27.96
M20021-7-W	7	12.00	15.96	M2002-14-W	14	26.00	29.96
M20021-8-W	8	14.00	17.96	M2002-15-W	15	28.00	31.96



www.allconnectors.de
Tel.: 0049 711 409008
70724 Filberstadt - Germany

Info@allconnectors.de
Fax: 0049 711 409044
Kettenerstr. 25