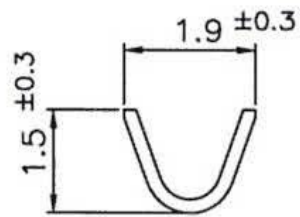
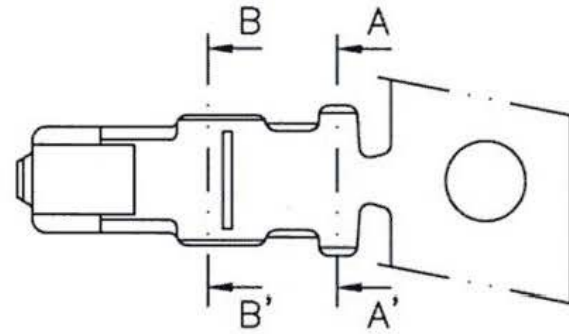
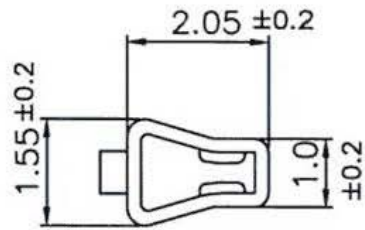
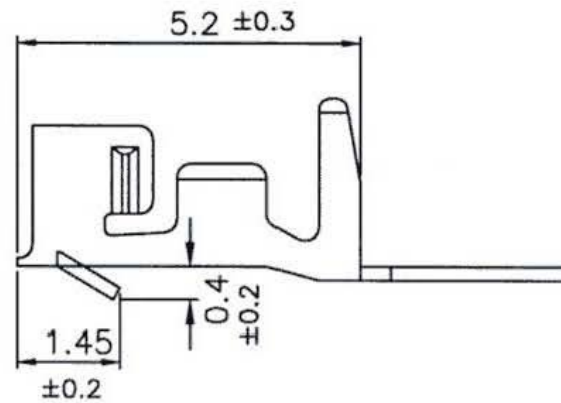


Section A-A'



Section B-B'



MAT'L: PHOSPHOR BRONZE
 FINISH:TIN-PLATED
 WIRE RANGE:AWG#26-28
 CURRENT RATING:1A AC,DC
 VOLTAGE RATING:250V AC,DC

RoHS Compliant

TOLERANCES ARE

All Connectors

DRAWING BY CY

X ±

CHECKED BY GENIUS

X ±

UNIT / mm SCALE 1:1

XX ±

DATE

XXX ±

SIZE A4

PROJECTION

ANG ±

照片框

ORDER INFORMATION

ILS-T-26-LF
 SERIES | LEADFREE
 26-28 AWG
 TERMINAL

DESCRIPTION:

www.allconnectors.de
 Tel.: 0049 711 7009503
 70734 Filderstadt - Germany

info@allconnectors.de
 Fax: 0049 711 7009504
 Kettenmerstr. 25