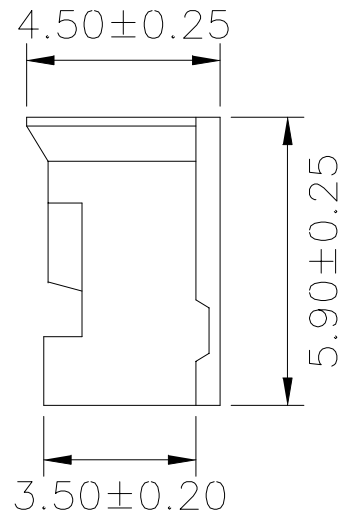
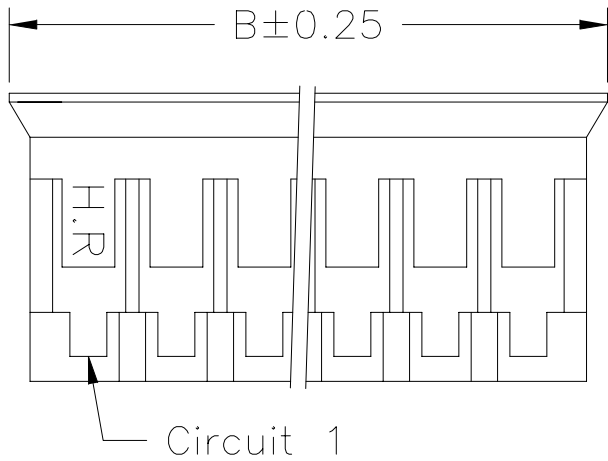
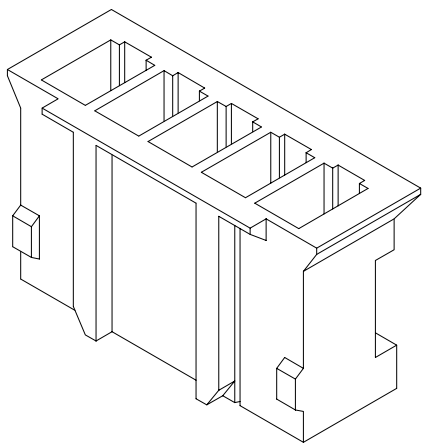
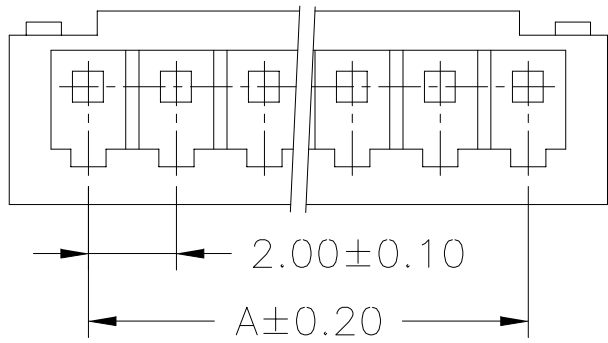


1 2 3 4 5 6 7 8 9 0

J
I
H
G
F
E
D
C
B
A



SPECIFICATIONS

Current Rating: 1A AC,DC
 Voltage Rating: 100V AC,DC
 Temperature Range: -25°C ~ +85°C
 Contact Resistance: 20mΩ Max
 Insulation Resistance: 1000MΩ Min
 Withstanding Voltage: 800V AC/minute
 Material: Nylon 66,UL94V-0

Ordering Information & Dimensions

PART NO.	Dimensions	
	A	B
ILS-H-02	2.00	5.60
ILS-H-03	4.00	7.60
ILS-H-04	6.00	9.60
ILS-H-05	8.00	11.60
ILS-H-06	10.00	13.60
ILS-H-07	12.00	15.60
ILS-H-08	14.00	17.60
ILS-H-09	16.00	19.60
ILS-H-10	18.00	21.60
ILS-H-11	20.00	23.60
ILS-H-12	22.00	25.60
ILS-H-13	24.00	27.60
ILS-H-14	26.00	29.60
ILS-H-15	28.00	31.60

PART NO. ILS-H-xx		CHECKED BY CY		TOLERANCES ARE .X±0.2 .XX± .XXX± AWG	DESCRIP TION: 2.00mm PITCH HOUSING			
DWG NO. ILS-H-xx		DRAWING BY			AREA	REVISIONS	HK	DATE
FILE NO.		PROJECTION						
UNIT / mm	SCALE 1:1							