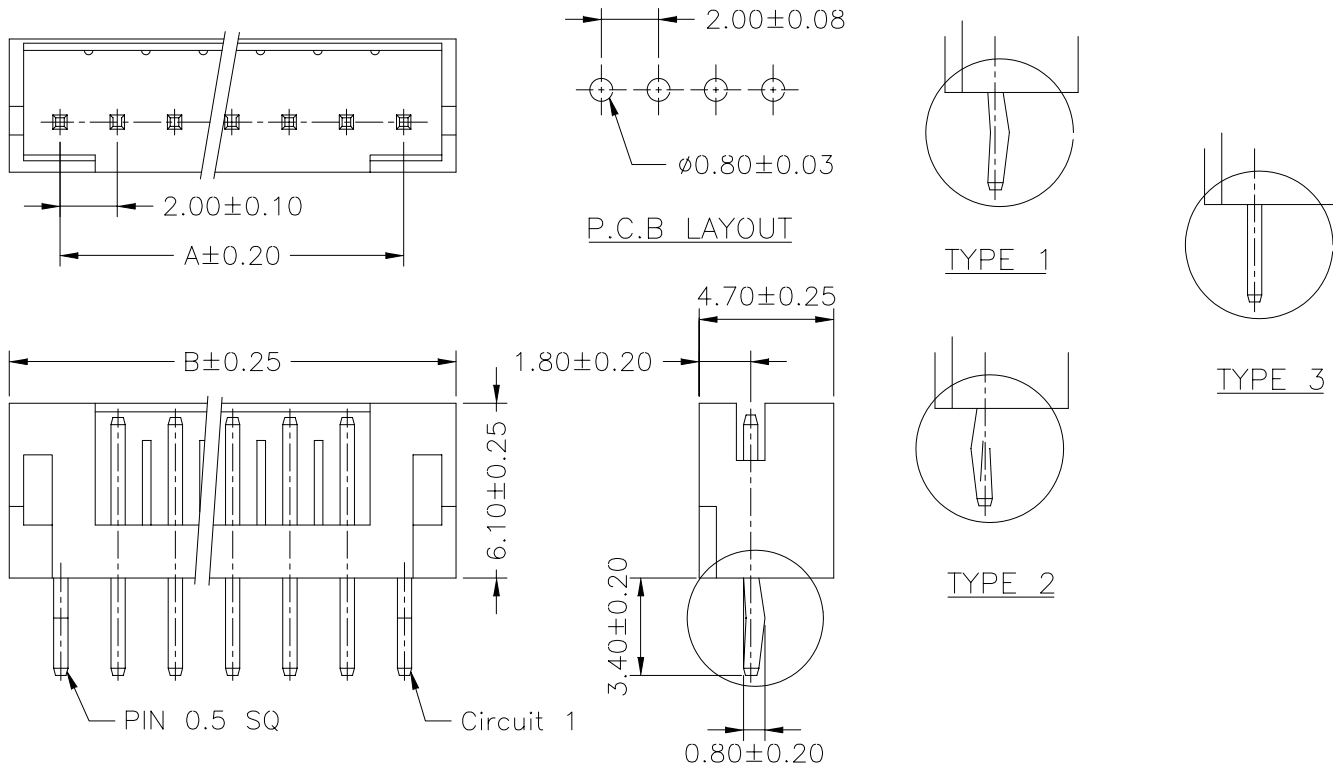


SPECIFICATIONS

Current Rating: 1A AC,DC
 Voltage Rating: 100V AC,DC
 Temperature Range: -25°C ~ +85°C
 Contact Resistance: 20mΩ Max
 Insulation Resistance: 1000MΩ Min
 Withstanding Voltage: 800V AC/minute
 Pin Material: Brass/Tin-plated
 Material: Nylon 66,UL94V-0

Ordering Information & Dimensions

PART NO.	Dimensions	
	A	B
ILS-D-02	2.00	6.00
ILS-D-03	4.00	8.00
ILS-D-04	6.00	10.00
ILS-D-05	8.00	12.00
ILS-D-06	10.00	14.00
ILS-D-07	12.00	16.00
ILS-D-08	14.00	18.00
ILS-D-09	16.00	20.00
ILS-D-10	18.00	22.00
ILS-D-11	20.00	24.00
ILS-D-12	22.00	26.00
ILS-D-13	24.00	28.00
ILS-D-14	26.00	30.00
ILS-D-15	28.00	32.00



<p>www.allconnectors.eu info@allconnectors.eu Tel. +49 (0)711 / 358 110 20 Fax +49 (0)711 / 358 110 25</p>	PART NO. ILS-D-xx		CHECKED BY CY	TOLERANCES ARE .X ± 0.2 .XX ± .XXX ± AWG	DESCRIP TION: 2.00mm PITCH 180° WAFER
	DWG NO. ILS-D-xx				
FILE NO.		PROJECTION		AREA	REVISIONS
UNIT / mm		SCALE 1 : 1	HK DATE		