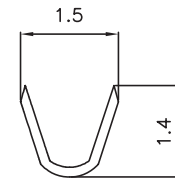
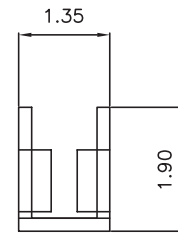
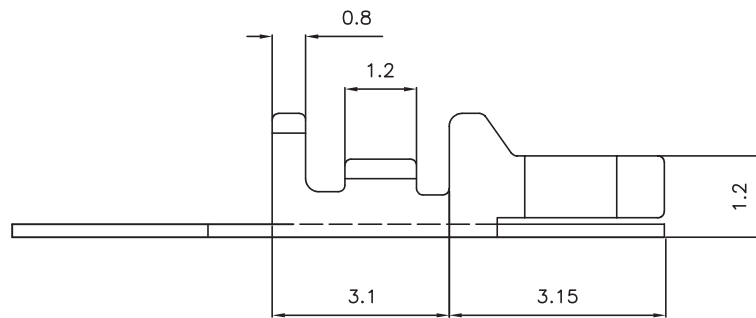
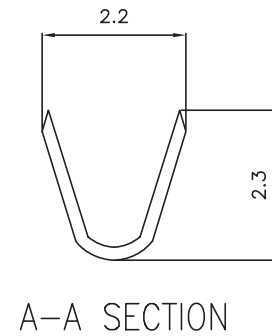
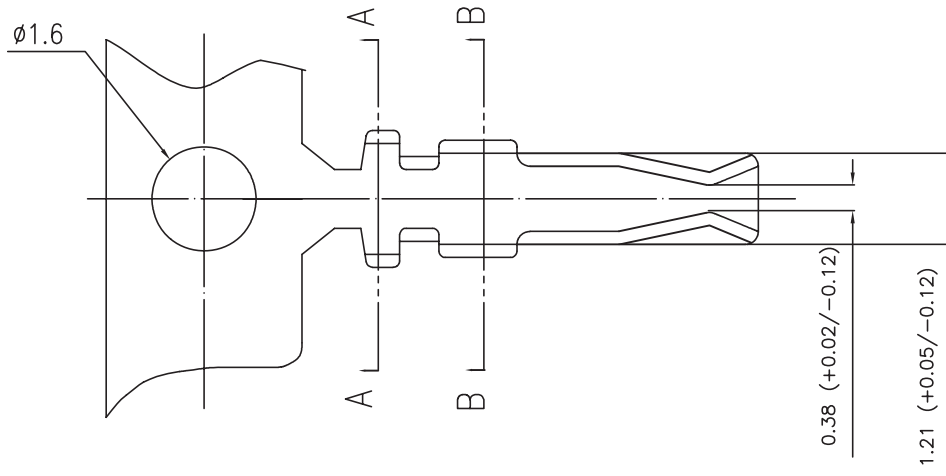


DF11-T-26-LF
LEADFREE
RoHS Compliant

■ TERMINAL

Material: Phos. bronze
Thickness: 0.2mm
Plating: Tin Plated 60u"
Wire Range: Suitable for AWG#26~30
Insulation O.D: 1.40mm(max)
Q'TY: 10,000 pcs/reel



<p>www.allconnectors.eu info@allconnectors.eu Tel. +49 (0)711 / 358 110 20 Fax +49 (0)711 / 358 110 25</p>	PART NO. DF11-T-26		CHECKED BY CY	TOLERANCES ARE .X ± 0.2 .XX ± .XXX ± AWG	DESCRIPTION:			
	DWG NO. DF11-T-26				DRAWING BY	AREA	REVISIONS	HK
	UNIT / mm	SCALE 1:1	PROJECTION					