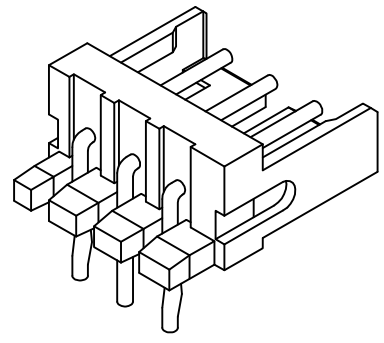


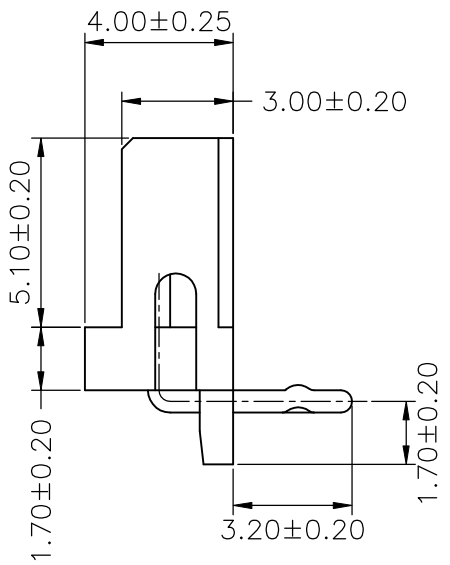
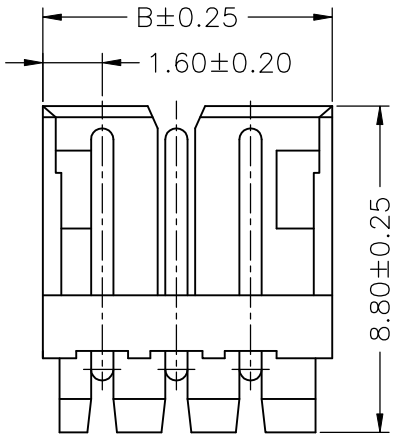
P.C.B. LAYOUT



**SPECIFICATIONS**

Current Rating: 1A AC,DC  
 Voltage Rating: 100V AC,DC  
 Temperature Range: -25°C ~ +85°C  
 Contact Resistance: 20mΩ Max.  
 Insulation Resistance: 1000MΩ Min.  
 Withstanding Voltage: 800V AC/minute  
 Pin Material: Brass/Tin-plated  
 Material: Nylon 66,UL94V-0

2.00±0.10  
 A±0.20  
 Circuit 1



**CT-R-xx-LF**  
 LEADFREE  
**RoHS Compliant**

**Ordering Information & Dimensions**

| PART NO.       | Dimensions |       |
|----------------|------------|-------|
|                | A          | B     |
| <b>CT-R-02</b> | 2.00       | 5.96  |
| <b>CT-R-03</b> | 4.00       | 7.96  |
| <b>CT-R-04</b> | 6.00       | 9.96  |
| <b>CT-R-05</b> | 8.00       | 11.96 |
| <b>CT-R-06</b> | 10.00      | 13.96 |
| <b>CT-R-07</b> | 12.00      | 15.96 |
| <b>CT-R-08</b> | 14.00      | 17.96 |
| <b>CT-R-09</b> | 16.00      | 19.96 |
| <b>CT-R-10</b> | 18.00      | 21.96 |
| <b>CT-R-11</b> | 20.00      | 23.96 |
| <b>CT-R-12</b> | 22.00      | 25.96 |
| <b>CT-R-13</b> | 24.00      | 27.96 |
| <b>CT-R-14</b> | 26.00      | 29.96 |
| <b>CT-R-15</b> | 28.00      | 31.96 |

|                         |           |               |  |  |   |           |    |      |
|-------------------------|-----------|---------------|--|--|---|-----------|----|------|
| PART NO. <b>CT-R-xx</b> |           | CHECKED BY CY |  | TOLERANCES ARE<br>.X ± 0.2<br>.XX ±<br>.XXX ±<br>AWG | DESCRIP TION: <b>2.00mm PITCH 90° WAFER</b> |           |    |      |
| DWG NO. <b>CT-R-xx</b>  |           | DRAWING BY    |  |  | AREA  | REVISIONS | HK | DATE |
| UNIT / mm               | SCALE 1:1 | PROJECTION    |  |  |   |           |    |      |