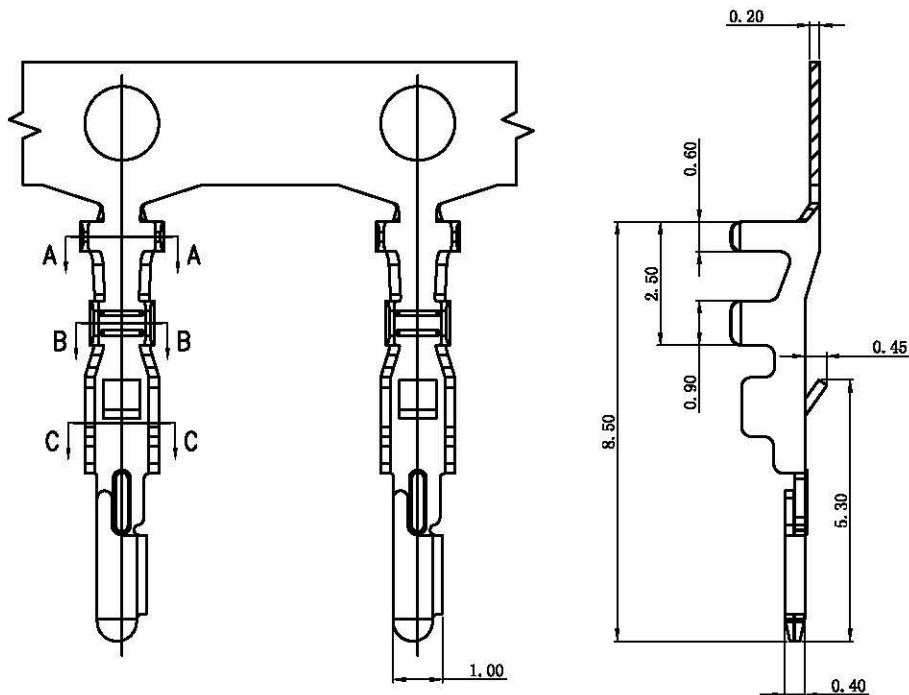


C2003 Series 2.00mm Pitch Series Wire to Wire Connectors

C2003TM-PT1

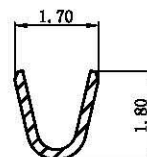
2.00mm Pitch Terminal



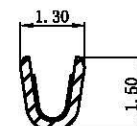
Reference Informations:

*Material: Phosphor Bronze/Tin-plated

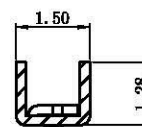
*Mates with LDZY C2003 series Housing



SEC:A-A



SEC:B-B



SEC:C-C

Ordering Information & Specifications

Part No	Wire Range	Insulation O.D.	Material	Finish	Qty/reel
C2003TM-PT1	AWG#24-#28	1.40mm(max)	Phosphor Bronze	Tin-plated	10,000pcs