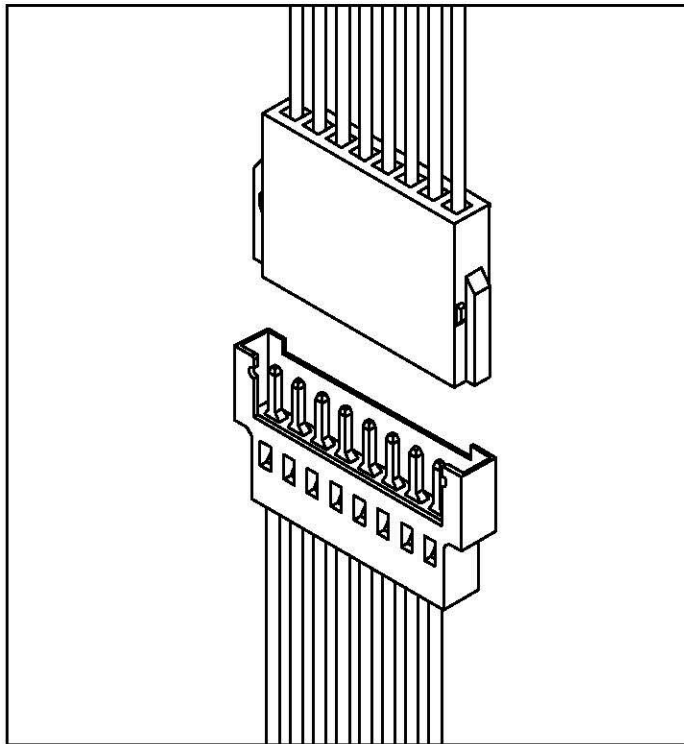


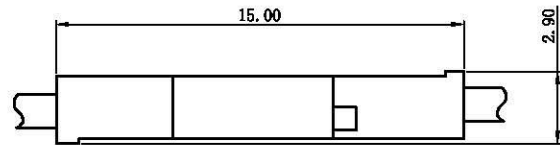
# C2003 Series 2.00mm Pitch Series Wire to Wire Connectors



## SPECIFICATIONS:

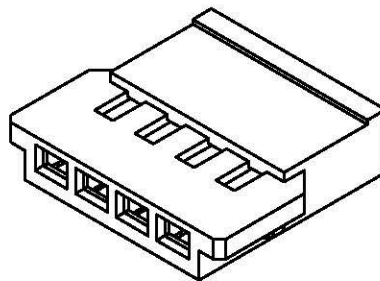
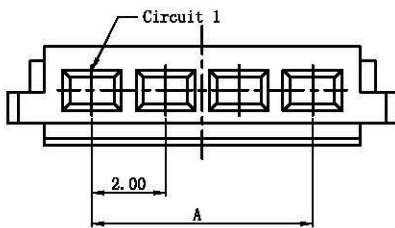
- Voltage Rating: 125V AC/DC
- Current Rating: 2A AC/DC
- Withstanding Voltage: 500V AC/Minute
- Temperature Range: -25°C~+85°C
- Insulation Resistance: 1000MΩ Min.
- Contact Resistance: 20mΩ Max.
- Applicable Wire Range: AWG#24~28.

## Assembly Layout:



## C2003HF-NP-POWH

### 2.00mm Pitch Single Row Housing



#### Reference Informations:

\*Material:

Housing: PBT UL94V-0/White

\*Suitable LDZY C2003 series Terminal

\*Mates with LDZY C2003 Male Housing

Ordering Information & Dimensions

Poles	Dimensions (mm)		
	A	B	C
02	2.00	6.60	4.60
03	4.00	8.60	6.60
04	6.00	10.60	8.60
05	8.00	12.60	10.60
06	10.00	14.60	12.60
07	12.00	16.60	14.60
08	14.00	18.60	16.60
09	16.00	20.60	18.60
10	18.00	22.60	20.60
11	20.00	24.60	22.60
13	24.00	28.60	26.60

