

11275 Wire to Wire 2.03mm ϕ connectors

TERMINAL

Part No.: 112751BS-2

產品編號

Thickness: 0.30mm

銅板厚度

Material: Brass

材質 黃銅

Surface Treatment: Tin-plated

表面處理 鍍錫

Acceptable Wire: AWG# 18~24

適用電線

Insulation O.D.: 1.50~2.10mm

線皮外徑

Suitable Contact: 10275BS-2

配合端子

Suitable Housing: P112754

配合塑膠

Packing: 7,500PCS(Reel)

包裝數量

PERFORMANCE

Electrical Rating: AC/DC 250V 7A

額定電壓電流

Insulation Resistance: 1000M Ω min.

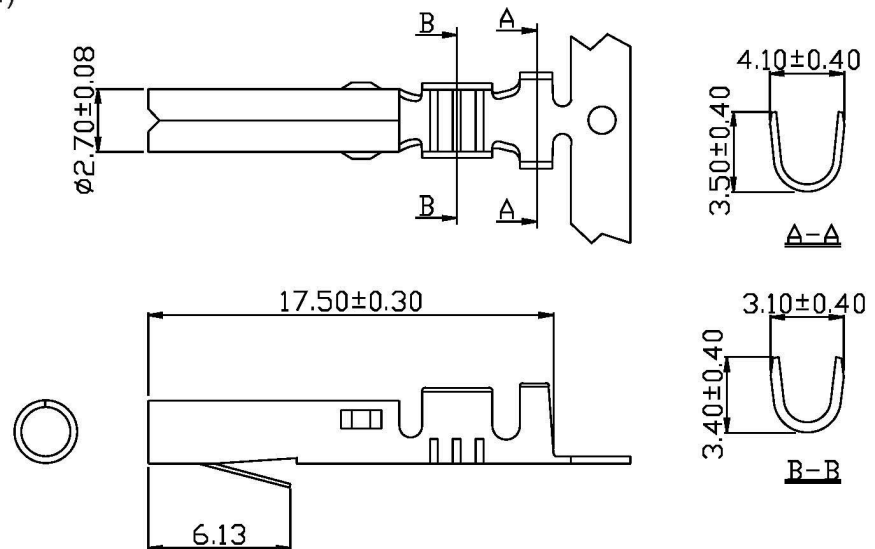
絕緣阻抗

Withstanding Voltage: 1000V AC/minute

耐電壓

Temperature Range: -25°C~+85°C

適用溫度



HOUSING

Part No.: P112754

產品編號

Material: Nylon 94V-2

材質

Suitable Contact: 112751BS-2

配合端子

Suitable Housing: P102754

配合公座

Acceptable Wire: AWG# 18~24

適用電線

Packing: 500PCS (Bag)

包裝數量

