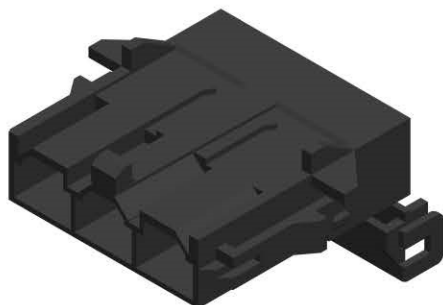
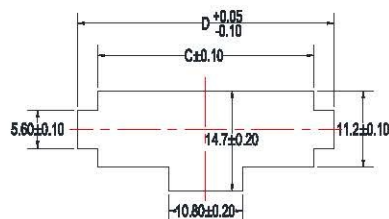
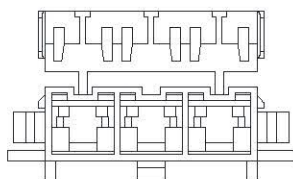
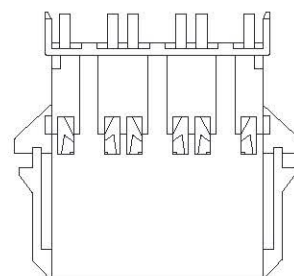
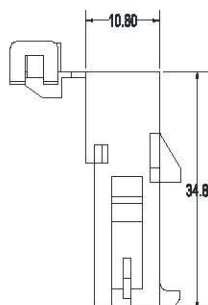
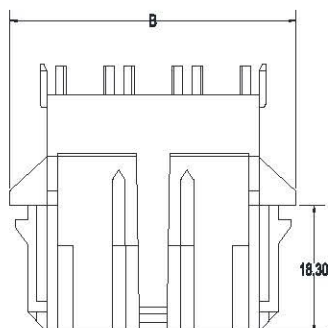
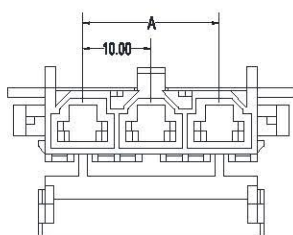


P9920-N

SPECIFICATION



Current rating: 50AAC, DC
Voltage rating: 600V AC, DC
Operating Temperature: -40°C--+120°C
Contact Resistance: 20mΩ max.
Insulation resistance: 1000MΩ min.
Withstanding voltage: 1000V AC/minute
Material: Housing: Nylon66 UL94V-0



RECOMMENDED PANEL CUT-OUT
THICKNESS 1.8 MAX

Pos. No.	A	B	C	D
2	10.00	31.30	21.70	27.50
3	20.00	41.30	31.70	37.50
4	30.00	51.30	41.70	47.50
5	40.00	61.30	51.70	57.50
6	50.00	71.30	61.70	67.50