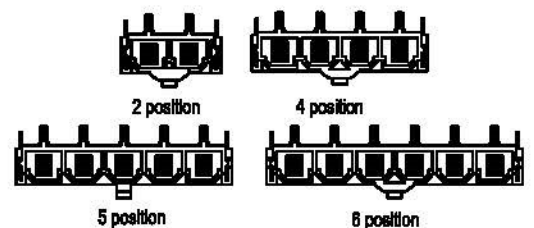
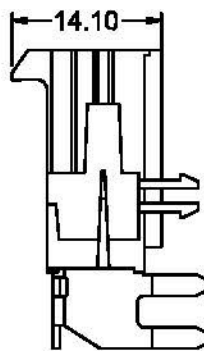
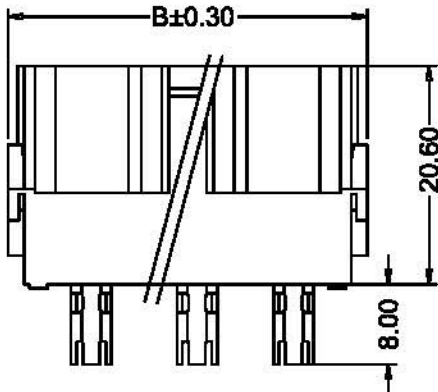
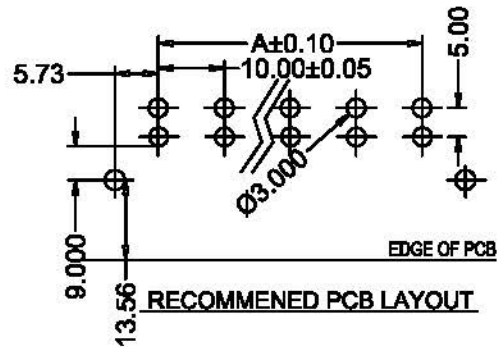
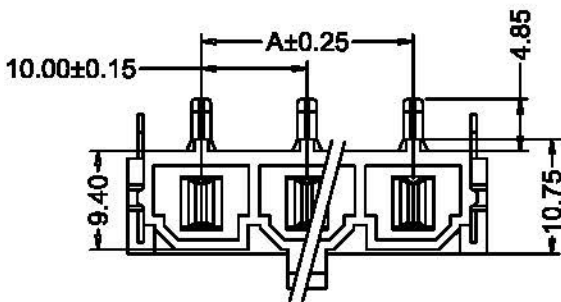
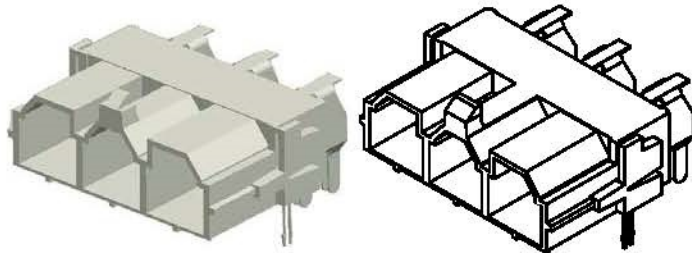


10.00mm(.400") Wire To Wire And Wire To Board Connector



SPECIFICATIONS:

- Current Rating: 48A AC, DC
- Voltage Rating: 600V AC, DC
- Contact Resistance: 20mΩ max.
- Withstanding Voltage: 1000V AC/minute
- Material: PBT, UL 94V-0
- Operating Temperature: -40°C ~ +130°C
- Standard Color: Black
- Contact: Pure Copper
- Finish: Tin-plated
- Mate With P9910 series housing
- 2-6 circuits available
- GWT: 750°C IEC-60335-1



Ordering Information And Dimensions

Part NO.	Circuits	Dimensions	
		Dim:A	Dim:B
TYP UL94V-0			
M9920R-2-B	2	10.00	23.88
M9920R-3-B	3	20.00	33.88
M9920R-4-B	4	30.00	40.88
M9920R-5-B	5	40.00	50.88
M9920R-6-B	6	50.00	60.88



www.allconnectors.de
Tel.: 0049 711 7009503
70/94 Hildcrstadt Germany

info@allconnectors.de
Fax: 0049 711 7009504
Kettenerstr. 25