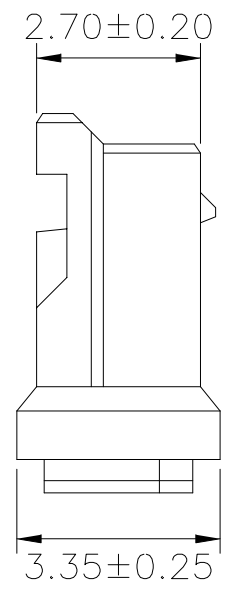
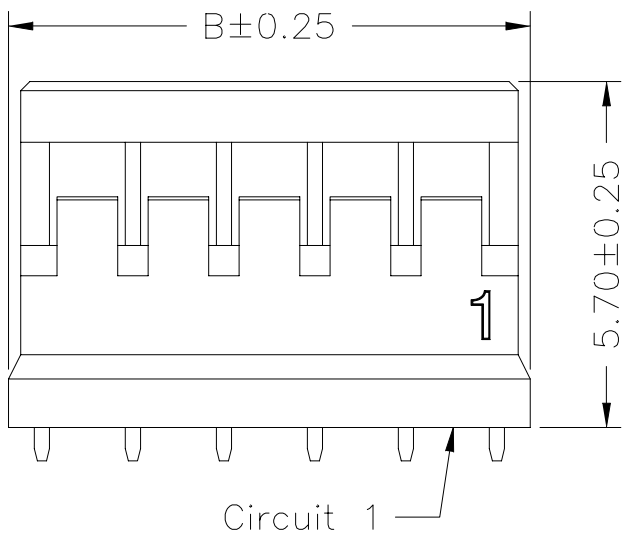
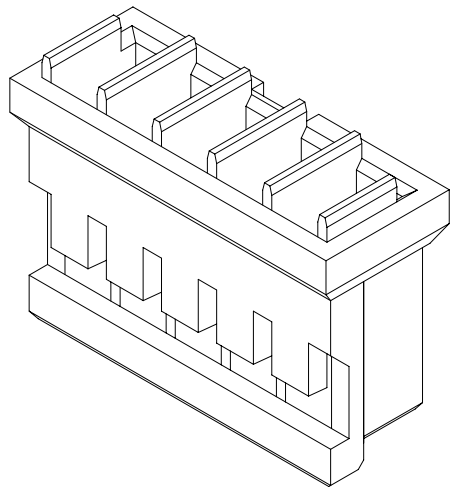
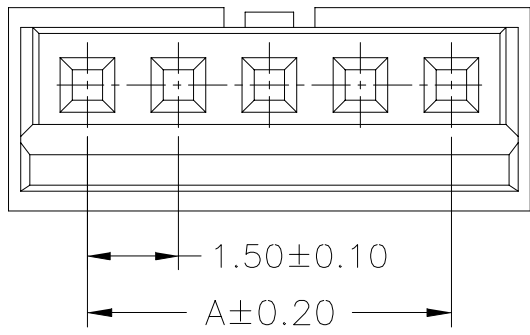


1 2 3 4 5 6 7 8 9 0

J
I
H
G
F
E
D
C
B
A



SPECIFICATIONS
 Current Rating: 1A AC,DC
 Voltage Rating: 100V AC,DC
 Temperature Range: -25°C ~ +85°C
 Contact Resistance: 20mΩ Max.
 Insulation Resistance: 500MΩ Min.
 Withstanding Voltage: 500V AC/minute
 Material: Nylon 66,UL94V-0

Ordering Information & Dimensions

PART NO.	Dimensions	
	A	B
ZHQ-H-02	1.50	4.10
ZHQ-H-03	3.00	5.60
ZHQ-H-04	4.50	7.10
ZHQ-H-05	6.00	8.60
ZHQ-H-06	7.50	10.10
ZHQ-H-07	9.00	11.60
ZHQ-H-08	10.50	13.10
ZHQ-H-09	12.00	14.60
ZHQ-H-10	13.50	16.10
ZHQ-H-11	15.00	17.60
ZHQ-H-12	16.50	19.10
ZHQ-H-13	18.00	20.60
ZHQ-H-14	19.50	22.10
ZHQ-H-15	21.00	23.60



PART NO. ZHQ-H-xx		CHECKED BY CY		TOLERANCES ARE .X ±0.2 .XX ± .XXX ± AWG	DESCRIP TION: 1.50mm PITCH HOUSING		
DWG NO. ZHQ-H-xx		DRAWING BY					
FILE NO.		PROJECTION		AREA	REVISIONS	HK	DATE
UNIT / mm	SCALE 1:1						