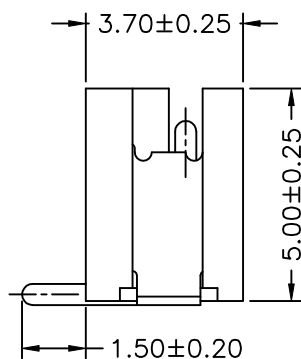
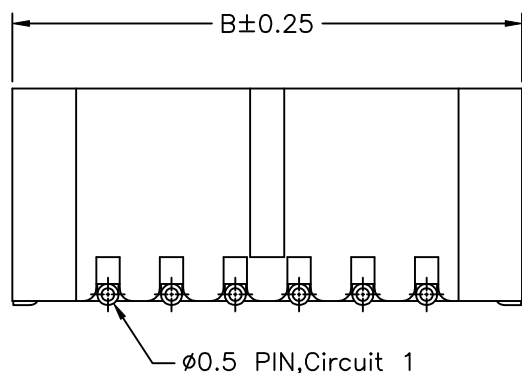
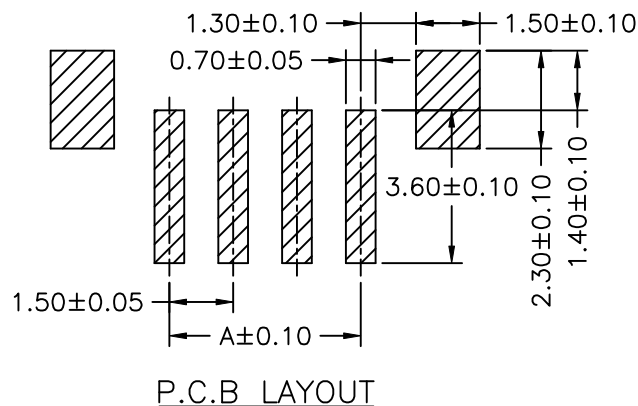
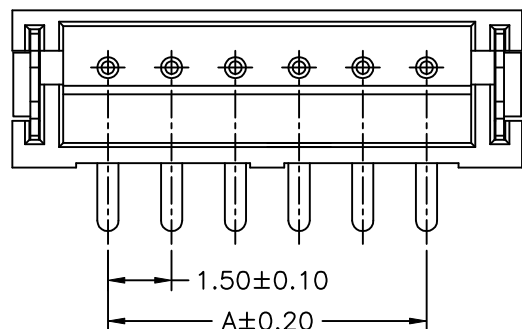


**SPECIFICATIONS**

Current Rating: 1A AC,DC  
 Voltage Rating: 100V AC,DC  
 Temperature Range: -25°C ~ +85°C  
 Contact Resistance: 20mΩ Max.  
 Insulation Resistance: 500MΩ Min.  
 Withstanding Voltage: 500V AC/minute  
 Pin Material: Brass/Tin-plated  
 Solder Tabs: Brass/Tin-plated  
 Material: Nylon 6T,UL94V-0

**Ordering Information & Dimensions**

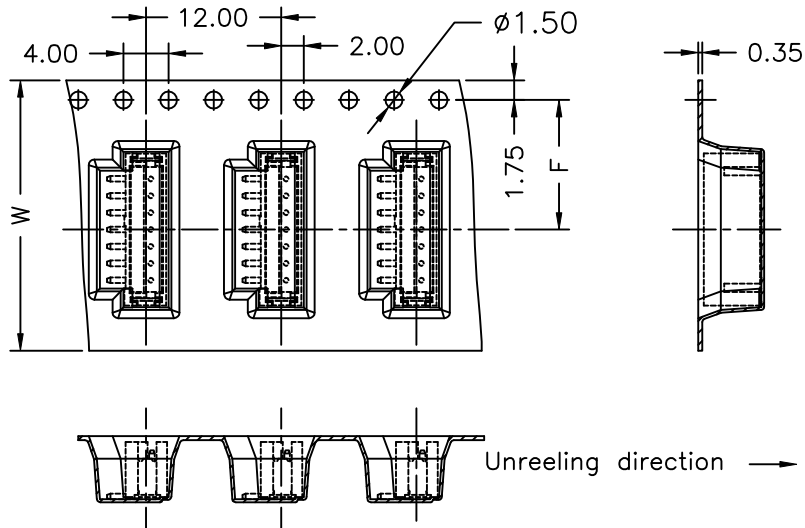
PART NO.	Dimensions	
	A	B
<b>ZH-V-02</b>	1.50	6.00
<b>ZH-V-03</b>	3.00	7.50
<b>ZH-V-04</b>	4.50	9.00
<b>ZH-V-05</b>	6.00	10.50
<b>ZH-V-06</b>	7.50	12.00
<b>ZH-V-07</b>	9.00	13.50
<b>ZH-V-08</b>	10.50	15.00
<b>ZH-V-09</b>	12.00	16.50
<b>ZH-V-10</b>	13.50	18.00
<b>ZH-V-11</b>	15.00	19.50
<b>ZH-V-12</b>	16.50	21.00
<b>ZH-V-13</b>	18.00	22.50



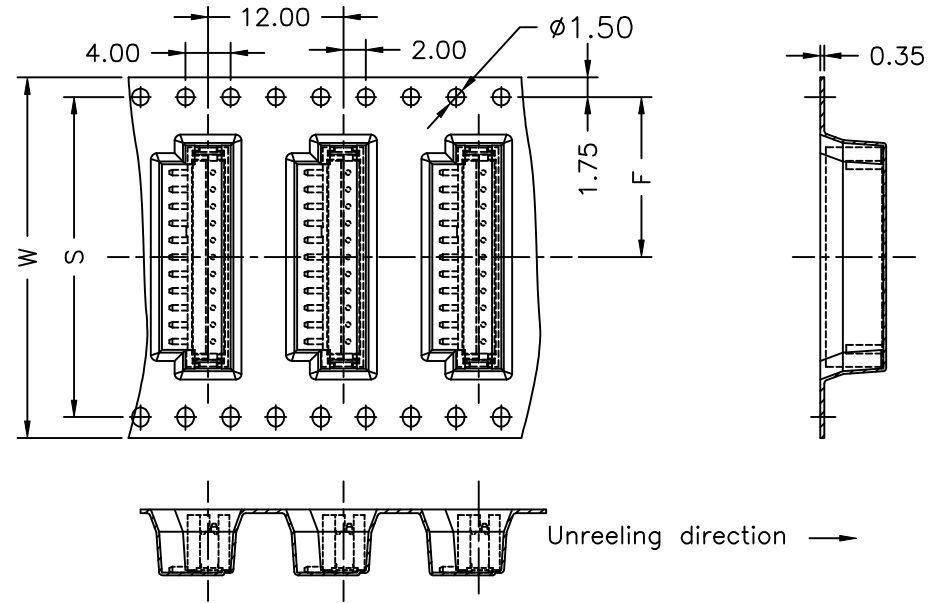
**ZH-V-xx-LF**  
 LEADFREE  
 RoHS Compliant

PART NO. <b>ZH-V-xx</b>		CHECKED BY CY		TOLERANCES ARE .X ± 0.2 .XX ± .XXX ± AWG	DESCRIP TION: <b>1.50mm PITCH 180° WAFER-SMT TYPE</b>
DWG NO. <b>ZH-V-xx</b>		DRAWING BY			
FILE NO.		PROJECTION		AREA	REVISIONS
UNIT / mm	SCALE 1:1			HK	DATE

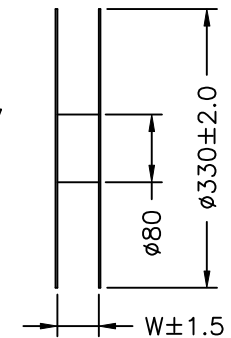
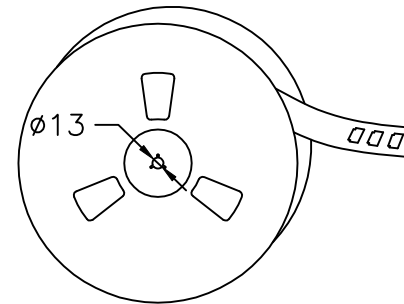
2~7 Contacts



8~13 Contacts



Number of Contacts	W±0.3	F±0.15	S±0.1	Q'ty/Reel
2P	16	7.5	---	1,000
3P	24	11.5	---	1,000
4P	24	11.5	---	1,000
5P	24	11.5	---	1,000
6P	24	11.5	---	1,000
7P	24	11.5	---	1,000
8P	32	14.2	28.40	1,000
9P	32	14.2	28.40	1,000
10P	32	14.2	28.40	1,000
11P	32	14.2	28.40	1,000
12P	44	20.2	40.40	1,000
13P	44	20.2	40.40	1,000



PART NO. **ZH-V-xx**

DWG NO. **ZH-V-xx**

FILE NO.

UNIT / mm

SCALE 1:1

CHECKED BY CY

DRAWING BY

PROJECTION

TOLERANCES ARE

.X ± 0.2  
.XX ±  
.XXX ±  
AWG

DESCRIPTION:

1.50mm PITCH  
180° WAFER-SMT TYPE  
TAPING SPEC.

AREA

REVISIONS

HK

DATE