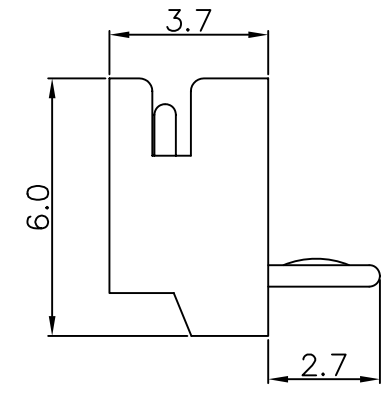
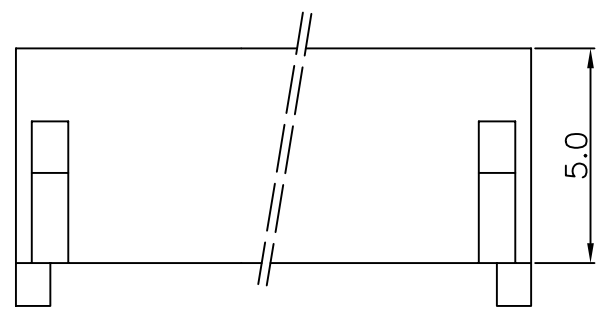
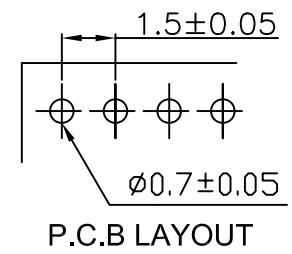
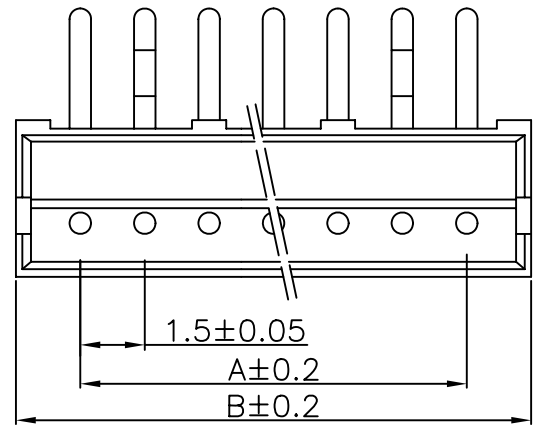


SPECIFICATION

CURRENT RATING: 1A AC/DC
 PITCH BETWEEN POLES: 1.5mm
 VOLTAGE RATING: 100V AC/DC
 CONTACT RESISTANCE: 20mohm (max)
 TEMPERATURE RANGE: -25°C TO +85°C
 INSULATION RESISTANCE: 500Mohm MIN
 WITHSTAND VOLTAGE: 500V AC/MINUTE
 APPLICATION P.C.B THICKNESS: 0.6~1.2mm
 APPLICATION P.C.B HOLD DIA: $\phi 0.7\text{mm} \pm 0.05$

FEATURES

AVAILABLE NUMBER OF CIRCUITS: 2 TO 13
 MATERIAL: NYLON 66 UL94-V0
 CONTACT: 0.50mm(0.02")ROUND PIN, BRASS: TIN PLATED



Circuits	Dim. A	Dim. B
2	1.50	4.50
3	3.00	6.00
4	4.50	7.50
5	6.00	9.00
6	7.50	10.50
7	9.00	12.00
8	10.50	13.50
9	12.00	15.00
10	13.50	16.50
11	15.00	18.00
12	16.50	19.50
13	18.00	21.00

PART NO. ZH-R-xx		CHECKED BY CY		TOLERANCES ARE .X ± 0.2 .XX ± .XXX ± AWG	DESCRIP TION:			
DWG NO. ZH-R-xx		DRAWING BY						
FILE NO.		PROJECTION		AREA	REVISIONS	HK	DATE	
UNIT / mm	SCALE 1:1							