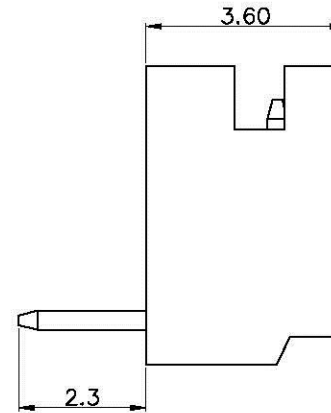
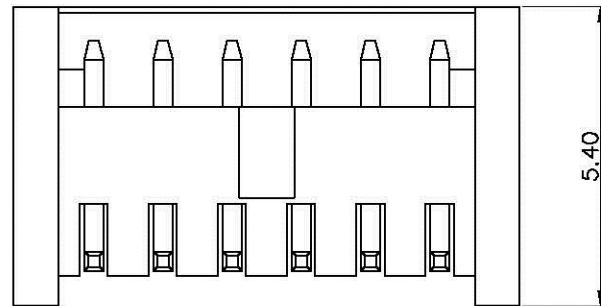
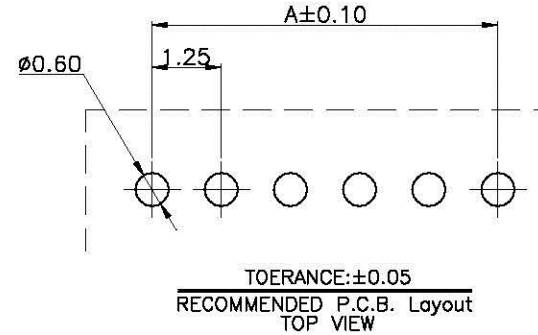
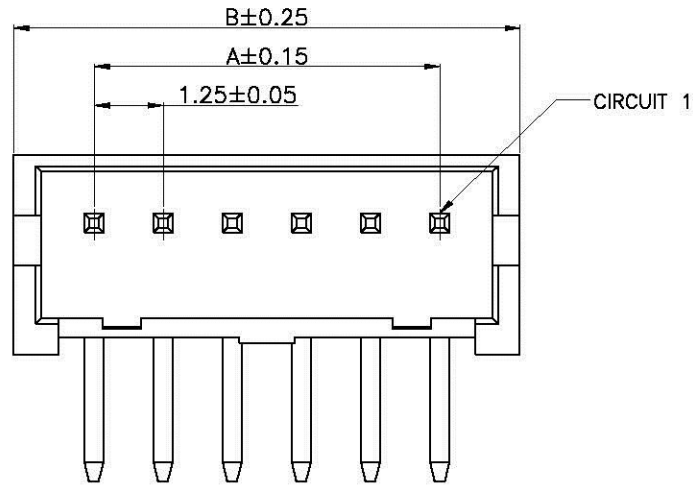


This document is the property of Targ Yu Enterprise and is delivered on the express condition that it is not to be disclosed, reproduced or used, in whole or in part, for manufacture or sale by anyone other than Targ Yu Enterprise without its prior consent, and that no right is granted to disclose or to use any information in this document.

Engineer Drawing

REV	ECN NO.	DESCRIPTION	DATE	APP'D
C/D		RELEASE TO PRODUCTION	03/26/13	Paul



Pin	DIM:(mm)		Pin	DIM:(mm)	
	A	B		A	B
02	1.25	4.15	09	10.00	12.90
03	2.50	5.40	10	11.25	14.15
04	3.75	6.65	11	12.50	15.40
05	5.00	7.90	12	13.75	16.65
06	6.25	9.15	13	15.00	17.90
07	7.50	10.40	14	16.25	19.15
08	8.75	11.65	15	17.50	20.40

NOTES:

- MATERIAL
INSULATION(HALOGEN FREE): NYLON 66, UL94V-0 (GREY)
CONTACT: BRASS, 0.35 SQUARE PIN
- CONTACT FINISH: BRIGHT-TIN PLATED OVER NICKEL
- MATES WITH: TU1257 SERIES SINGLE ROW HOUSING
- ORDERING CODE: TU1257WNR-1xNP

PIN NO.

<p>TOLERANCE</p> <p>X. ±0.30</p> <p>X.X ±0.25</p> <p>X.XX ±0.15</p> <p>X.XXX ±0.08</p> <p>ANGULA 3°</p> <p>UNLESS OTHERWISE SPECIFIED</p>	APPROVALS		DATE	<p>www.allconnectors.de Tel.: 0049 201 2094000 20794 Fildorfsdall - Germany</p>	
	DRAWN <i>Tuen Kong</i>		03/26/13'		
	CHK'D <i>Paul Chan</i>		03/26/13'	PART NO.	<p>TU1257WNR-1xNP</p> <p>TITLE:</p> <p>WIRE TO BOARD, RECEPTACLE, PITCH 1.25mm, SINGLE ROW, RIGHT ANGLE, DIP TYPE, ASSEMBLY</p>
	APP'D <i>Wayne Lai</i>		03/26/13'	DRAWING NO.	
	UNITS mm		SCALE 1:1	SIZE: A4	
				SHEET 1 OF 1	REV. C/0