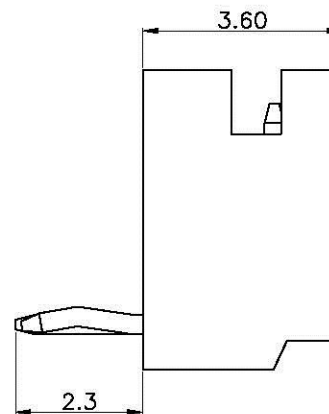
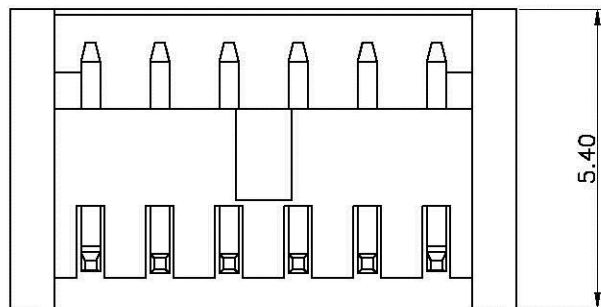
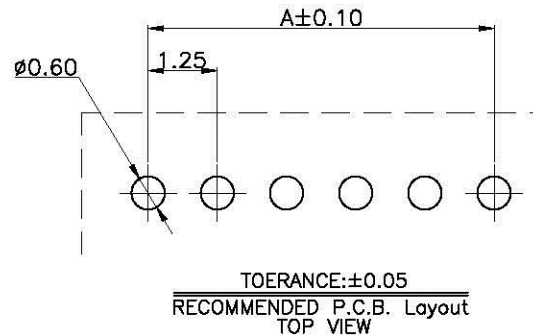
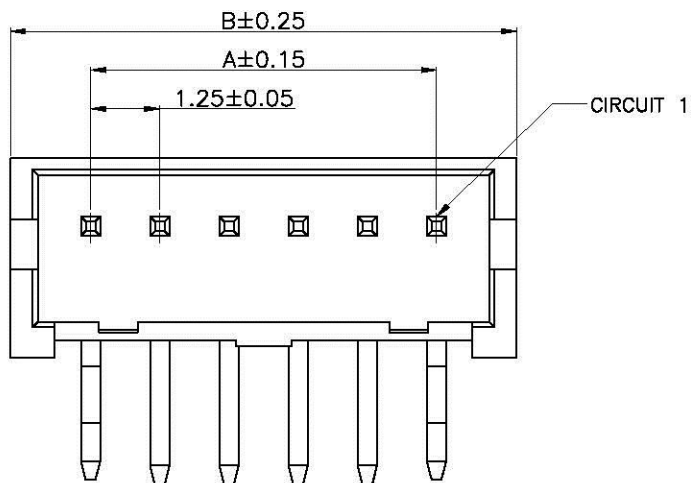


This document is the property of Targ Yu Enterprise and is delivered on the express condition that it is not to be disclosed, reproduced or used, in whole or in part, for manufacture or sale by anyone other than Targ Yu Enterprise without its prior consent, and that no right is granted to disclose or to use any information in this document.

Engineer Drawing

REV	ECN NO.	DESCRIPTION	DATE	APP'D
A/0		NEW DRAWING	03/27/13	Paul



Pin	DIM:(mm)		Pin	DIM:(mm)	
	A	B		A	B
02	1.25	4.15	09	10.00	12.90
03	2.50	5.40	10	11.25	14.15
04	3.75	6.65	11	12.50	15.40
05	5.00	7.90	12	13.75	16.65
06	6.25	9.15	13	15.00	17.90
07	7.50	10.40	14	16.25	19.15
08	8.75	11.65	15	17.50	20.40

NOTES:

- MATERIAL
INSULATION(HALOGEN FREE): NYLON 66, UL94V-0 (GREY)
CONTACT: BRASS, 0.35 SQUARE PIN
- CONTACT FINISH: BRIGHT-TIN PLATED OVER NICKEL
- MATES WITH: TU1257 SERIES SINGLE ROW HOUSING
- ORDERING CODE: TU1257WNR-1xNP-E3

PIN NO.

TOLERANCE		APPROVALS		DATE
X.	±0.30	DRAWN	<i>Siuw Kong</i>	03/27/13'
X.X	±0.25	CHK'D	<i>Paul Shen</i>	03/27/13'
X.XX	±0.15	APP'D	<i>Wayne Lai</i>	03/27/13'
X.XXX	±0.08	UNITS	mm	SCALE 1:1
ANGULA	3'	SIZE	A4	
UNLESS OTHERWISE SPECIFIED				

All Connectors

www.allconnectors.com
Tel.: 0049 211 7095503
70754 In der Stadt - Germany
info@allconnectors.com
Fax: 0049 211 7095504
Kettnerstr. 25

PART NO.	TITLE:
TU1257WNR-1xNP-E3	WIRE TO BOARD, RECEPTACLE, PITCH 1.25mm, SINGLE ROW, RIGHT ANGLE, DIP TYPE, ASSEMBLY
DRAWING NO. EN-TU1257WNR-1xNP-E3	REV. A/0
SHEET 1 OF 1	