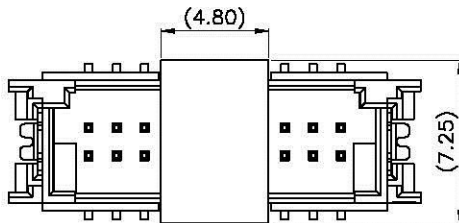
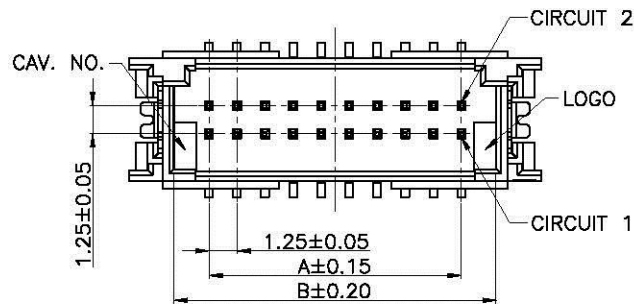


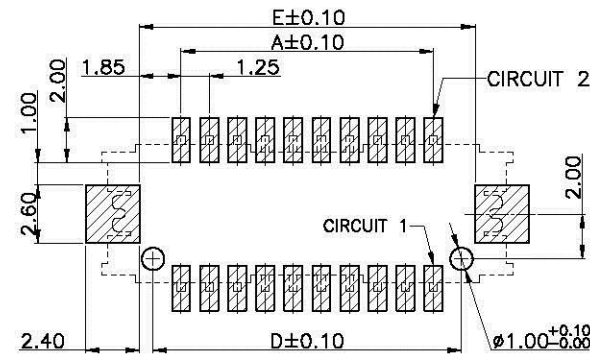
This document is the property of Targ Yu Enterprise and is delivered on the express condition that it is not to be disclosed, reproduced or used, in whole or in part, for manufacture or sale by anyone other than Targ Yu Enterprise without its prior consent, and that no right is granted to disclose or to use any information in this document.

Engineer Drawing

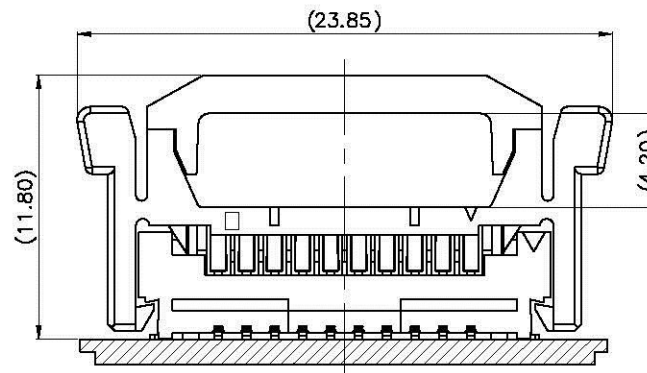
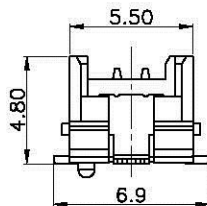
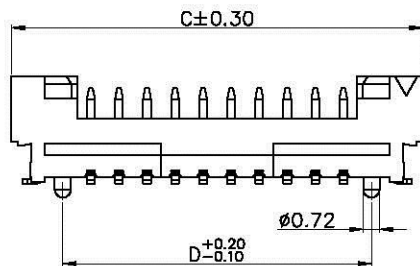
REV	ECN NO.	DESCRIPTION	DATE	APP'D
A/0		RELEASE TO PRODUCTION	07/10/11	Paul
A/1		UPDATE DRAWING	06/17/13	Paul



PICK AND PLACE AREA



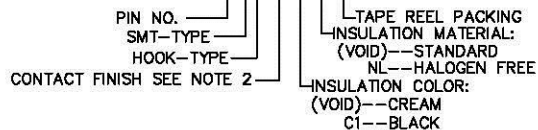
TOLERANCE: ± 0.05
 RECOMMENDED P.C.B. Layout
 TOP VIEW



Mating Condition (REF.)

NOTES:

- MATERIAL:
 INSULATION(STANDARD): NYLON 9T, UL94V-0 (CREAM)
 CONTACT: COPPER ALLOY
 SOLDER TAB: COPPER ALLOY / MATTE-TIN PLATED OVER NICKEL
- CONTACT FINISH: (VOID)--MATTE-TIN PLATED OVER NICKEL
 GO--GOLD FLASH OVER NICKEL
 G15AC--GOLD 15U" ON CONTACT AREA, MATTE-TIN ON SOLDER TAIL, OVER NICKEL
- MATES WITH: TU1257 SERIES DUAL ROW HOUSING
- PACKING: 900 PCS/TAPE REEL
- ORDERING CODE: TU1257WNV-2xNPSK-**-**-A



PIN	DIM.(mm)				
	A	B	C	D	E
2X05	5.00	8.10	12.10	7.50	8.70
2X10	11.25	14.35	18.35	13.75	14.95
2X15	17.50	20.60	24.60	20.00	21.20
2X20	23.75	26.85	30.85	26.25	27.45

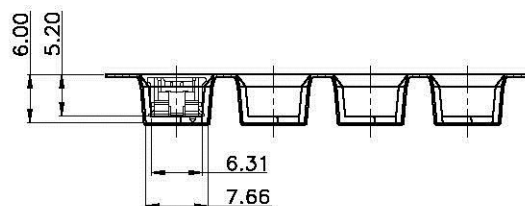
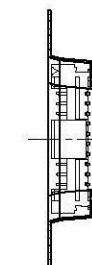
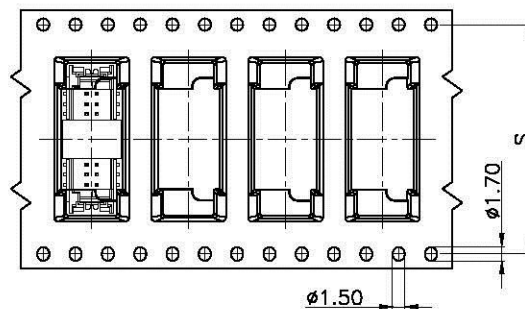
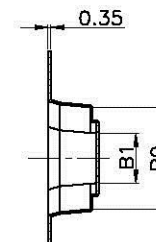
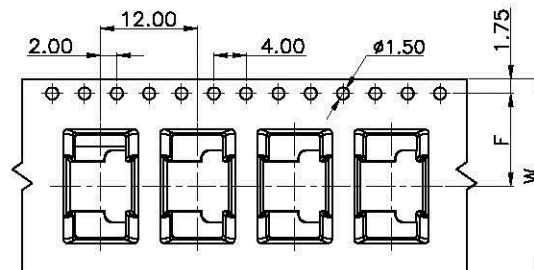
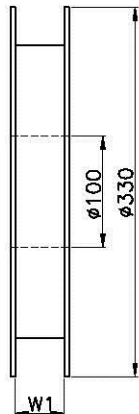
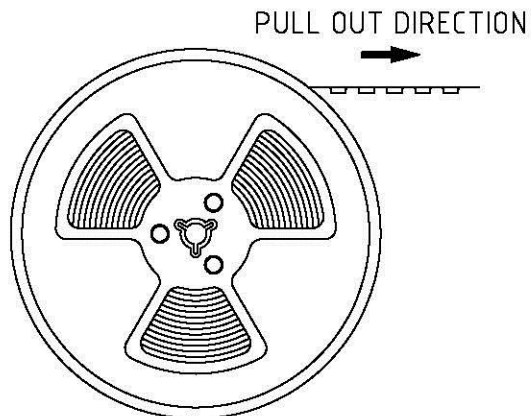
TOLERANCE		APPROVALS		DATE	All Connectors	
X.X	± 0.25	DRAWN	<i>Sivan Kong</i>	06/17/13'	www.allconnectors.de TEL: 0049 711 7009503 70794 Filderstadt Germany	info@allconnectors.de Fax: 0049 711 7009504 Kellernstr. 25
X.XX	± 0.15	CHK'D	<i>Paul Chen</i>	06/17/13'	PART NO. TU1257WNV-2xNPSK-**-**-A	TITLE: WIRE TO BOARD, WAFER, PITCH 1.25mm, DAUL ROW, VERTICAL, SMT TYPE, ASSEMBLY
ANGULA	3'	APP'D	<i>Wayne Lai</i>	06/17/13'	DRAWING NO. EN-TU1257WNV-2xNPSK-**-**-A	
UNLESS OTHERWISE SPECIFIED		UNITS mm	SCALE 1:1	SIZE: A4		SHEET 1 OF 3

REV. A/1

This document is the property of Targ Yu Enterprise and is delivered on the express condition that it is not to be disclosed, reproduced or used, in whole or in part, for manufacture or sale by anyone other than Targ Yu Enterprise without its prior consent, and that no right is granted to disclose or to use any information in this document.

Engineer Drawing

REV	ECN NO.	DESCRIPTION	DATE	APP'D
A/0		RELEASE TO PRODUCTION	07/10/11	Paul
A/1		UPDATE DRAWING	06/17/13	Paul



PIN	DIM.(mm)					
	B0	B1	F	S	W	W1
2X05	12.65	6.15	11.50	-	24.00	24.50
2X10	18.90	12.40	14.20	28.40	32.00	32.50
2X15	25.15	18.65	20.20	40.40	44.00	44.50
2X20	31.40	24.90				

- NOTES:
- 10 SPROCKET HOLE PITCH CUMULATIVE TOLERANCE ± 0.20 .
 - CARRIER CAMBER IS WITHIN 1 mm IN 250 mm.
 - MATERIAL : WHITE CONDUCTIVE POLYSTYRENE ALLOY.(UP-5000)
 - ALL DIMENSIONS MEET EIA-481-C REQUIREMENTS.
 - THICKNESS : 0.35 ± 0.05 mm.
 - COMPONENT LOAD PER 19" REEL : 900 PCS.

TOLERANCE	APPROVALS	DATE	All Connectors	
X.X ± 0.25	DRAWN <i>Sivan Kong</i>	06/17/13'	www.allconnectors.de Tel.: 0049 711 7009500 81294 Hildersheim Germany	info@allconnectors.de Fax: 0049 711 7009504 Kettelerstr. 25
X.XX ± 0.15	CHK'D <i>Paul Chen</i>	06/17/13'	PART NO. TU1257WNV-2xNPSK-*-*-*A	TITLE: WIRE TO BOARD, WAFER, PITCH 1.25mm, DAUL ROW, VERTICAL, SMT TYPE, ASSEMBLY
ANGULA 3'	APP'D <i>Wayne Lai</i>	06/17/13'	DRAWING NO. EN-TU1257WNV-2xNPSK-*-*-*A	
UNLESS OTHERWISE SPECIFIED	UNITS mm	SCALE 1:1	SIZE: A4	SHEET 2 OF 3

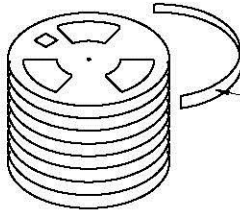
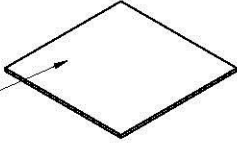
REV. A/1

This document is the property of Targ Yu Enterprise and is delivered on the express condition that it is not to be disclosed, reproduced or used, in whole or in part, for manufacture or sale by anyone other than Targ Yu Enterprise without its prior consent, and that no right is granted to disclose or to use any information in this document.

Engineer Drawing

REV	ECN NO.	DESCRIPTION	DATE	APP'D
A/0		RELEASE TO PRODUCTION	07/10/11	Paul
A/1		UPDATE DRAWING	06/17/13	Paul

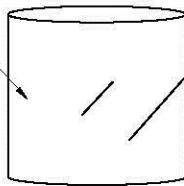
PARTITION BOARD 2 PCS



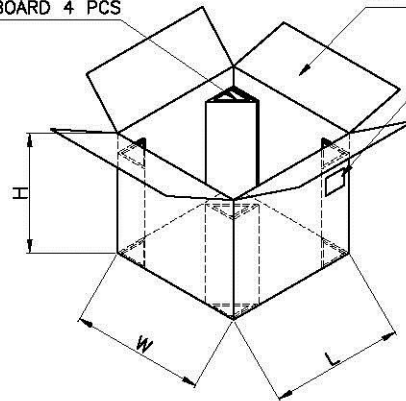
PROTECT TAPE



INNER BAG

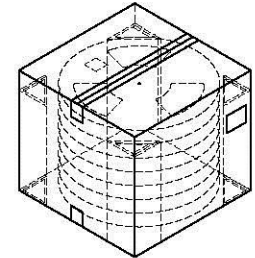


TRIANGLE BOARD 4 PCS



SHIPPING CARTON

TABEL



PACKING MATERIAL	
PART NAME	DIM.(mm)
REEL	ø330*(W+0.5)
CARTON	350*350*340

PACKING CAPACITY			
PART NO.	PCS/RE	RE/BC	PCS/BC
TU1257WNV-2x05SK-*-*--A	900 PCS/RE	10 RE/BC	9,000 PCS/BC
TU1257WNV-2x10SK-*-*--A	900 PCS/RE	8 RE/BC	7,200 PCS/BC
TU1257WNV-2x15SK-*-*--A	900 PCS/RE	6 RE/BC	5,400 PCS/BC
TU1257WNV-2x20SK-*-*--A	900 PCS/RE	6 RE/BC	5,400 PCS/BC

TOLERANCE X.X ±0.25 X.XX ±0.15 ANGULA 3° UNLESS OTHERWISE SPECIFIED	APPROVALS		DATE	 <small>www.allconnectors.de Tel.: 0049 711 7003503 70794 Filzschmid, Germany</small>	
	DRAWN	<i>Sivan Kong</i>	06/17/13'		
	CHK'D	<i>Paul Chen</i>	06/17/13'	PART NO.	TITLE: WIRE TO BOARD, WAFER, PITCH 1.25mm, DAUL ROW, VERTICAL, SMT TYPE, ASSEMBLY
	APP'D	<i>Wayne Lai</i>	06/17/13'	EN-TU1257WNV-2xNPSK-*-*--A DRAWING NO.	
	UNITS mm	SCALE 1:1	SIZE: A4		SHEET 3 OF 3
					REV. A/1