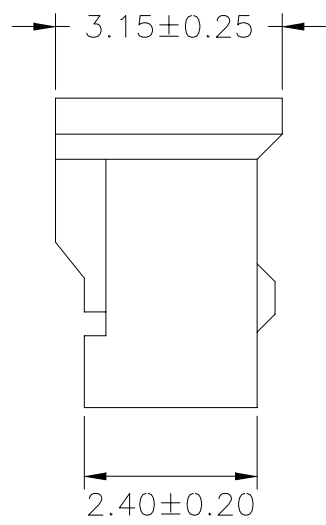
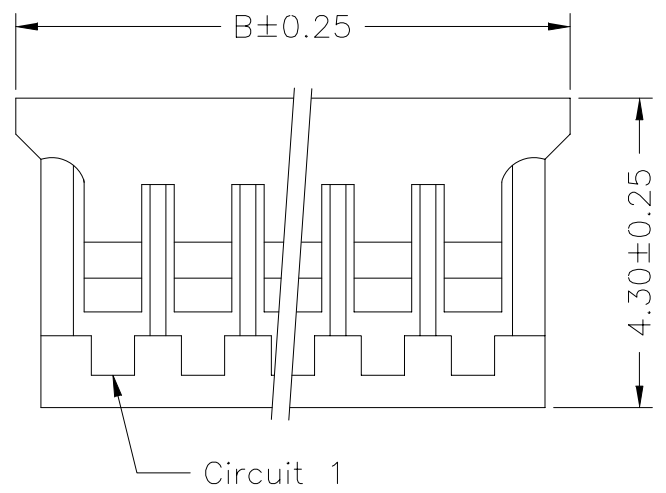
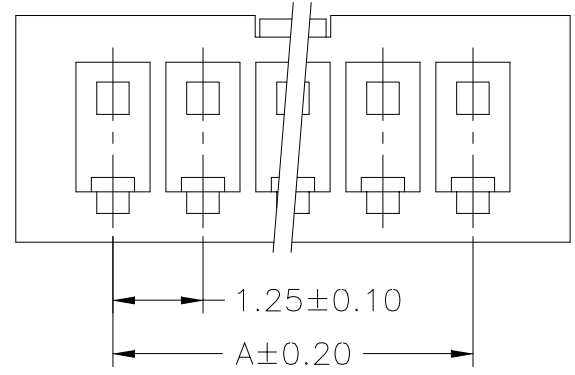
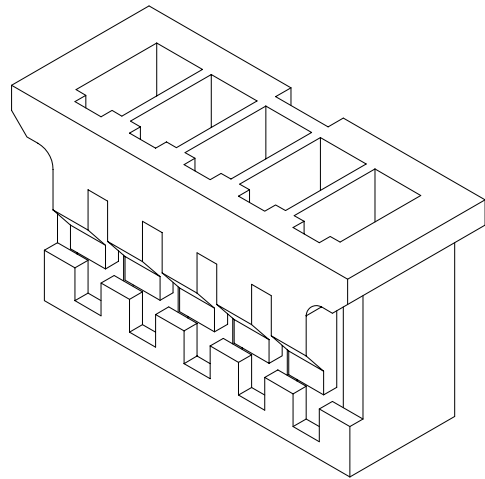


1 2 3 4 5 6 7 8 9 0

J
I
H
G
F
E
D
C
B
A



SPECIFICATIONS

Current Rating: 1A AC,DC
 Voltage Rating: 100V AC,DC
 Temperature Range: -25°C ~ +85°C
 Contact Resistance: 20mΩ Max.
 Insulation Resistance: 500MΩ Min.
 Withstanding Voltage: 500V AC/minute
 Material: Nylon 66,UL94V-0

Ordering Information & Dimensions

PART NO.	Dimensions	
	A	B
ILZ-H-02	1.25	3.95
ILZ-H-03	2.50	5.20
ILZ-H-04	3.75	6.45
ILZ-H-05	5.00	7.70
ILZ-H-06	6.25	8.95
ILZ-H-07	7.50	10.20
ILZ-H-08	8.75	11.45
ILZ-H-09	10.00	12.70
ILZ-H-10	11.25	13.95
ILZ-H-11	12.50	15.20
ILZ-H-12	13.75	16.45
ILZ-H-13	15.00	17.70
ILZ-H-14	16.25	18.95
ILZ-H-15	17.50	20.20

PART NO. ILZ-H-xx		CHECKED BY CY		TOLERANCES ARE .X ± 0.2 .XX ± .XXX ± AWG	DESCRIP TION: 1.25mm PITCH HOUSING		
DWG NO. ILZ-H-xx		DRAWING BY					
FILE NO.		PROJECTION		AREA	REVISIONS	HK	DATE
UNIT / mm		SCALE 1 : 1					