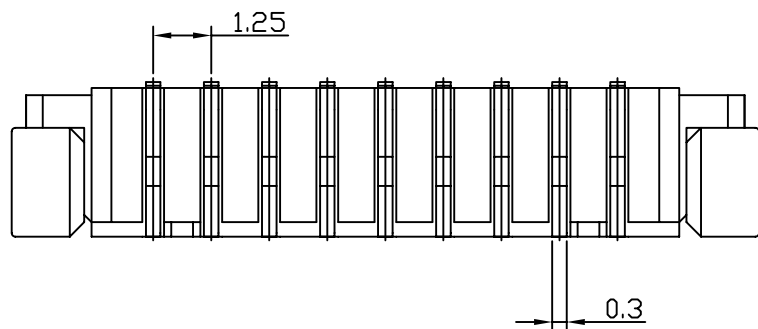
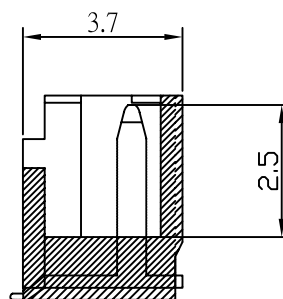
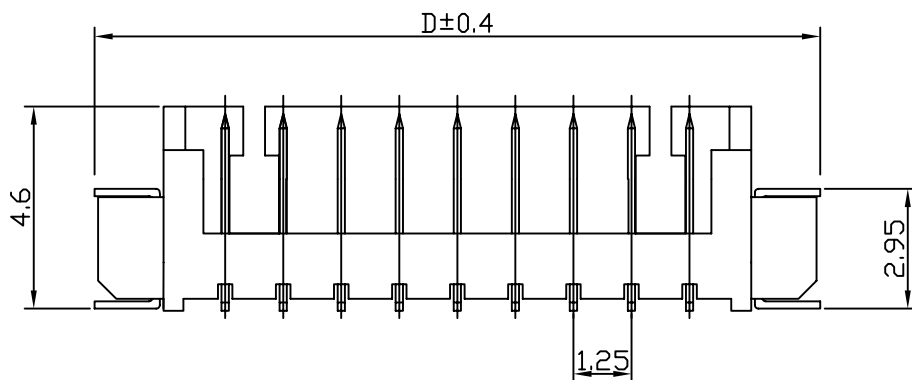


RECOMMENDED P.C. BOARD PATTERN DIM.



CKT.	A	B	C	D
2	1.25	3.05	4.25	7.65
3	2.50	4.30	5.50	8.90
4	3.75	5.55	6.75	10.15
5	5.00	6.80	8.00	11.40
6	6.25	8.05	9.25	12.65
7	7.50	9.30	10.50	13.90
8	8.75	10.55	11.75	15.15
9	10.00	11.80	13.00	16.40
10	11.25	13.05	14.25	17.65
11	12.50	14.30	15.50	18.90
12	13.75	15.55	16.75	20.15
13	15.00	16.80	18.00	21.40
14	16.25	18.05	19.25	22.65
15	17.50	19.30	20.50	23.90

MATERIAL:

WAFER:HIGH TEMPERA TURE PLASTIC
 NYLON46 UL94V-0
 PIN:HIGH STRENGTH BRASS
 WITH TIN OVER NICKEL PLATED

SPECIFICATION:

CURRENT RATE: 1 AMP
 IUSULATION RESISTANCE: 500 M MIN
 CONTACT RESISTANCE: 20 M MAX
 DIELECTRIC VOLTAGE: 500 V AC FOR ONE MINUTE
 OPERATION TEMPERATURE: -25°C TO +85°C

FH-V-xx-LF
 LEADFREE

RoHS Compliant

PART NO. FH-V-xx		CHECKED BY CY		TOLERANCES ARE .X ± 0.2 .XX ± .XXX ± AWG	DESCRIP TION: WIRE TO BOARD 1.25mm WAFER SMT V/T
DWG NO. FH-V-xx		DRAWING BY			
FILE NO.		PROJECTION		AREA	REVISIONS
UNIT / mm	SCALE 1:1			HK	DATE