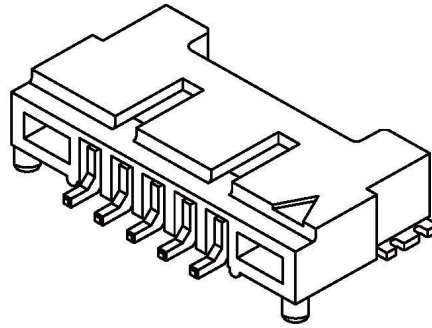


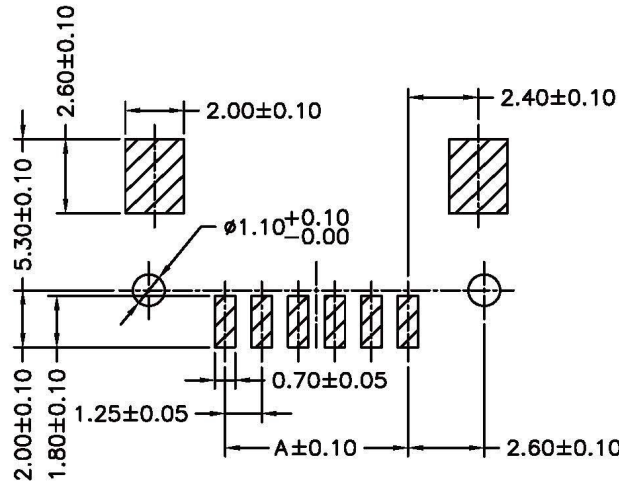
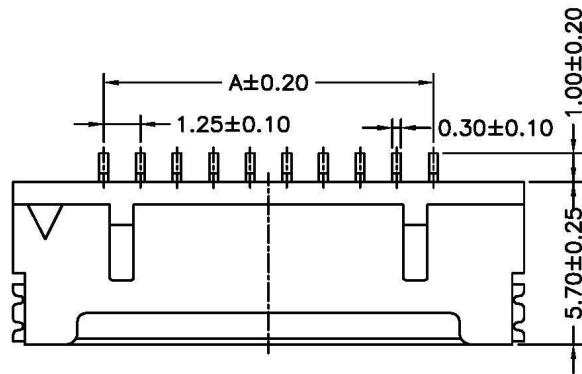
SPECIFICATIONS

Current Rating: 1A AC,DC
 Voltage Rating: 100V AC,DC
 Temperature Range: -25°C ~ +85°C
 Contact Resistance: 20mΩ Max.
 Insulation Resistance: 500MΩ Min.
 Withstanding Voltage: 500V AC/minute
 Pin Material: Brass/Tin-plated
 Solder Tabs: Brass/Tin-plated
 Material: Nylon 6T,UL94V-0

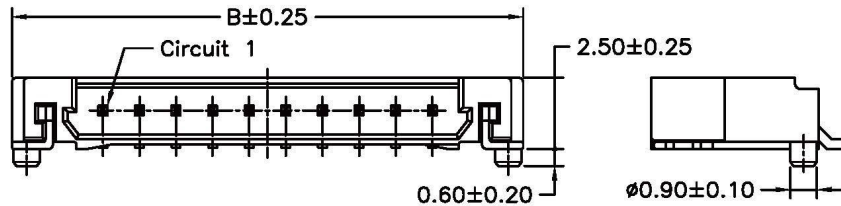


Ordering Information & Dimensions

PART NO.	Dimensions	
	A	B
DF14-WPR-02	1.25	7.45
DF14-WPR-03	2.50	8.70
DF14-WPR-04	3.75	9.95
DF14-WPR-05	5.00	11.20
DF14-WPR-06	6.25	12.45
DF14-WPR-07	7.50	13.70
DF14-WPR-08	8.75	14.95
DF14-WPR-09	10.00	16.20
DF14-WPR-10	11.25	17.45
DF14-WPR-11	12.50	18.70
DF14-WPR-12	13.75	19.95
DF14-WPR-13	15.00	21.20
DF14-WPR-14	16.25	22.45
DF14-WPR-15	17.50	23.70
DF14-WPR-20	23.75	29.95
DF14-WPR-25	30.00	36.20
DF14-WPR-30	36.25	42.45



P.C.B. LAYOUT



All Connectors

www.allconnectors.de info@allconnectors.de
 Tel.: 0049 711 7009503 Fax: 0049 711 7009504
 70794 Filderstadt - Germany Kettenerstr. 25

RoHS Compliant

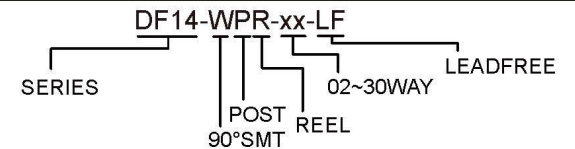
DRAWING BY CY
 CHECKED BY GENIUS
 UNIT / mm SCALE 1 : 1
 DATE
 SIZE A4 PPROJECTION

TOLERANCES ARE

X ±
 X ±
 .XX ±
 .XXX ±
 ANG ±

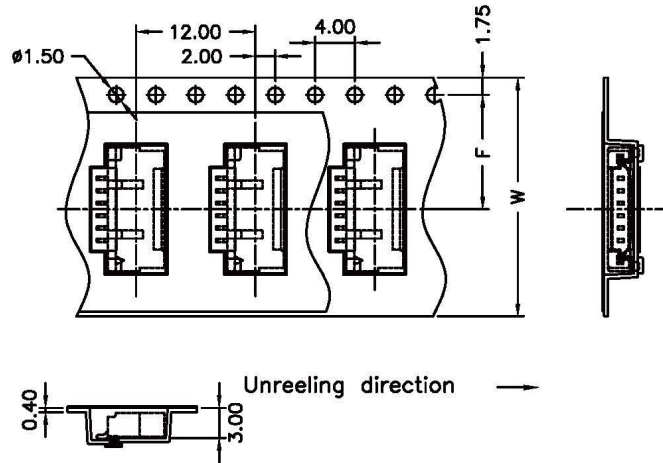


ORDER INFORMATION

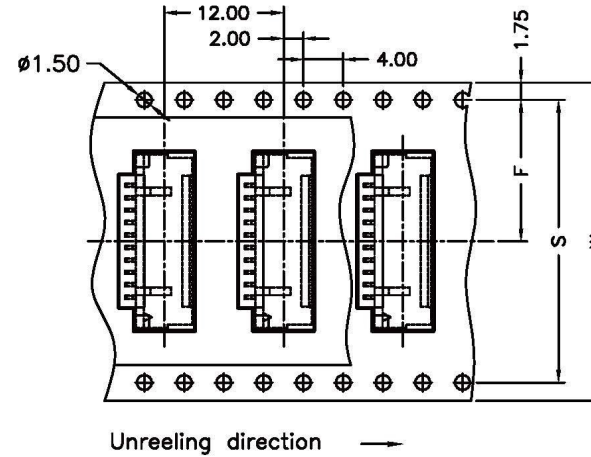


DESCRIPTION:

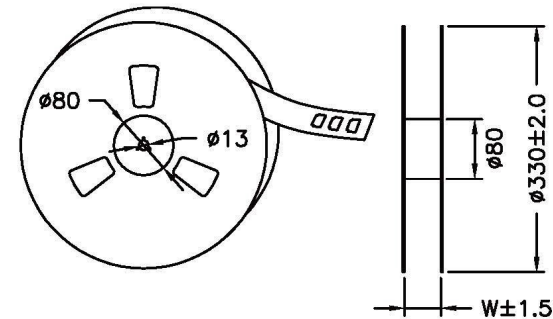
2~7 Contacts



8~30 Contacts



Number of Contacts	W±0.3	F±0.15	S±0.1	Q'ty/Reel
2P	16	7.5	---	1,000
3P	16	7.5	---	1,000
4P	24	11.5	---	1,000
5P	24	11.5	---	1,000
6P	24	11.5	---	1,000
7P	24	11.5	---	1,000
8P	32	14.2	28.40	1,000
9P	32	14.2	28.40	1,000
10P	32	14.2	28.40	1,000
11P	32	14.2	28.40	1,000
12P	32	14.2	28.40	1,000
13P	32	14.2	28.40	1,000
14P	44	20.2	40.40	1,000
15P	44	20.2	40.40	1,000
20P	44	20.2	40.40	1,000
25P	56	26.2	52.40	1,000
30P	56	26.2	52.40	1,000



RoHS Compliant

TOLERANCES ARE

All Connectors

DRAWING BY CY

X ± 0.30

CHECKED BY GENIUS

X ± 0.30

UNIT / mm

SCALE 1 : 1

.XX ± 0.20

.XXX ± 0.20

ANG ± 1°

DATE

SIZE A4

PJECTION



ORDER INFORMATION

DF14-WPR-xx-LF



DESCRIPTION:

www.allconnectors.de

info@allconnectors.de

Tel.: 0049 711 7009503

Fax: 0049 711 7009504

70794 Filderstadt - Germany

Kettenerstr. 25