

PCB Layout

## SPECIFICATIONS

### Electrical

Current Rating: 1A AC, DC

Voltage Rating: 100V AC DC

Operating Temp: -25°C ~ +85°C

Insulation Resistance: 500MΩ / min.

Withstand Voltage: 500V AC / min.

Contact Resistance: 20MΩ / max.

### Material

Terminal Material:

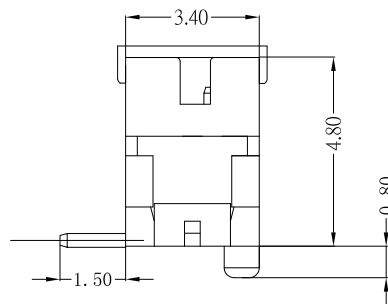
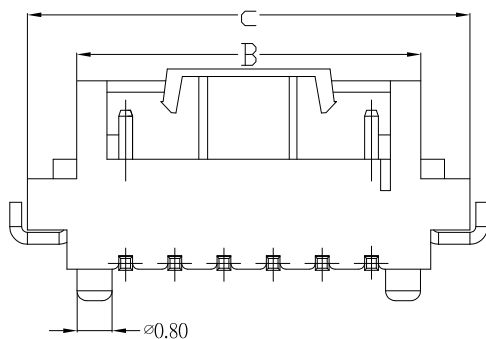
PIN: Brass/ Tin-plated

Solder Tabs: Phosphor Bronze/Tin-Plated

Material: Nylon 6T, UL94V-0

DF13-VPCR-1Xxx-LF  
LEADFREE

RoHS Compliant



Circuit 1	DIMENSIONS			PART NO.	Note.
	A	B	C		
2	1.25	4.15	6.25	DF13-VPCR-1X02	
3	2.50	5.40	7.50	DF13-VPCR-1X03	
4	3.75	6.65	8.75	DF13-VPCR-1X04	
5	5.00	7.90	10.00	DF13-VPCR-1X05	
6	6.25	9.15	11.25	DF13-VPCR-1X06	
7	7.50	10.40	12.50	DF13-VPCR-1X07	
8	8.75	11.65	13.75	DF13-VPCR-1X08	
9	10.00	12.90	15.00	DF13-VPCR-1X09	
10	11.25	14.15	16.25	DF13-VPCR-1X10	
11	12.50	15.40	17.50	DF13-VPCR-1X11	
12	13.75	16.65	18.75	DF13-VPCR-1X12	
13	15.00	17.90	20.00	DF13-VPCR-1X13	
14	16.25	19.15	21.25	DF13-VPCR-1X14	
15	17.50	20.40	22.50	DF13-VPCR-1X15	

PART NO. DF13-VPCR-1Xxx

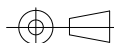
DWG NO. DF13-VPCR-1Xxx CHECKED BY CY

FILE NO. DRAWING BY

UNIT / mm

SCALE 1:1

PROJECTION



TOLERANCES ARE

.X ± 0.2

.XX ±

.XXX ±

AWG

DESCRIPTION:

1.25mm Wire-to-Board Header  
SMT 180° Type (DF13) T&R,CAP

AREA

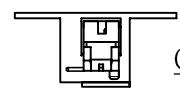
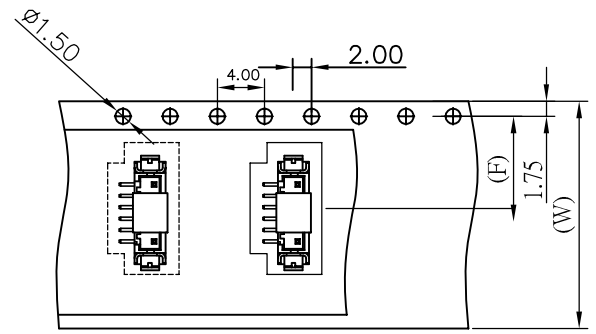
REVISIONS

HK

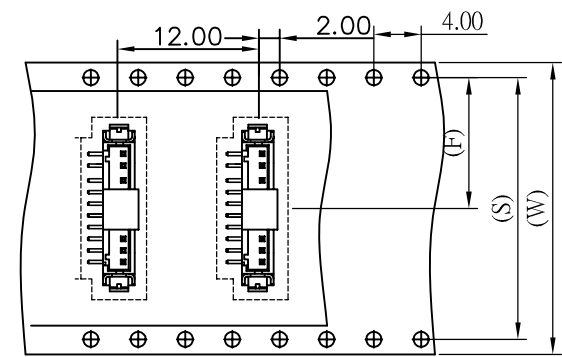
DATE

**Allconnectors**

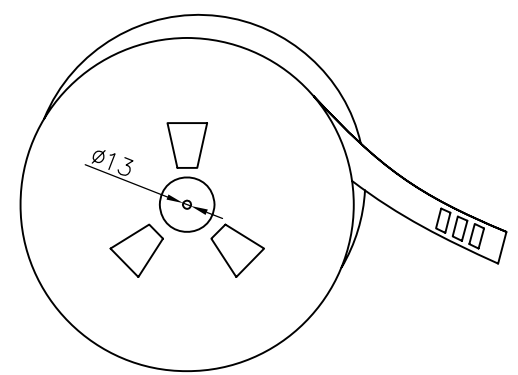
www.allconnectors.eu | info@allconnectors.eu  
Tel. +49 (0)711 / 358 110 20 | Fax +49 (0)711 / 358 110 25



CARRIER FOR 2 TO 9PIN



CARRIER FOR 10 TO 15PIN



Number of Contacts	W±0.3	F±0.1	S±0.1	Q'ty/Reel
2P	16	7.50	/	1,000
3P	24	11.50		1,000
4P	24	11.50		1,000
5P	24	11.50		1,000
6P	24	11.50		1,000
7P	24	11.50		1,000
8P	24	11.50		1,000
9P	24	11.50		1,000
10P	32	14.20		28.40
11P	32	14.20	28.40	1,000
12P	32	14.20	28.40	1,000
13P	32	14.20	28.40	1,000
14P	44	20.20	40.40	1,000
15P	44	20.20	40.40	1,000

PART NO. DF13-VPCR-1Xxx

DWG NO. DF13-VPCR-1Xxx

CHECKED BY CY

TOLERANCES ARE

DESCRIP TION: DF13-1.25mm SMT180 T&R

FILE NO.

DRAWING BY

.X ± 0.2  
.XX ±  
.XXX ±  
AWG

AREA	REVISIONS	HK	DATE
------	-----------	----	------

UNIT / mm

SCALE 1:1

PROJECTION



www.allconnectors.eu | info@allconnectors.eu  
Tel. +49 (0)711 / 358 110 20 | Fax +49 (0)711 / 358 110 25