

SPECIFICATIONS

Current Rating: 1A AC,DC

Voltage Rating: 100V AC,DC

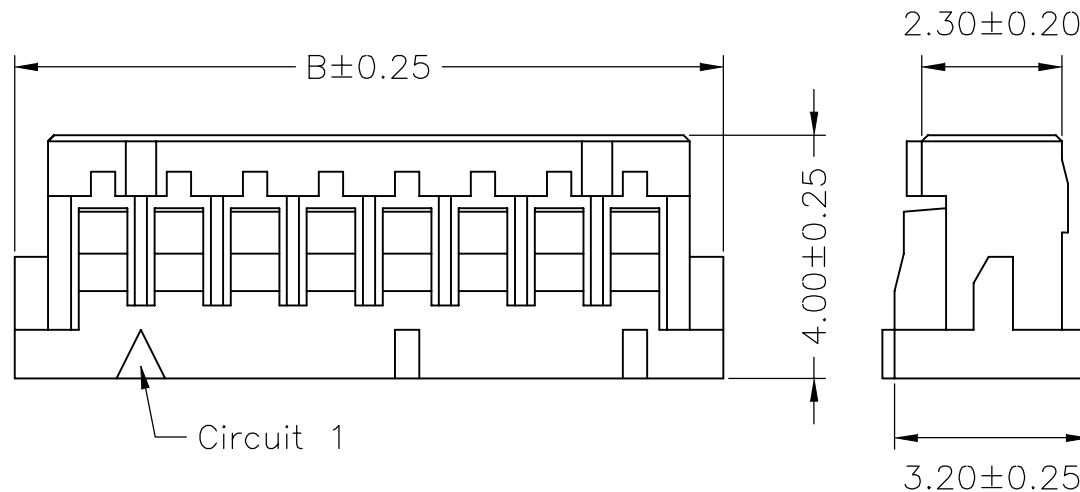
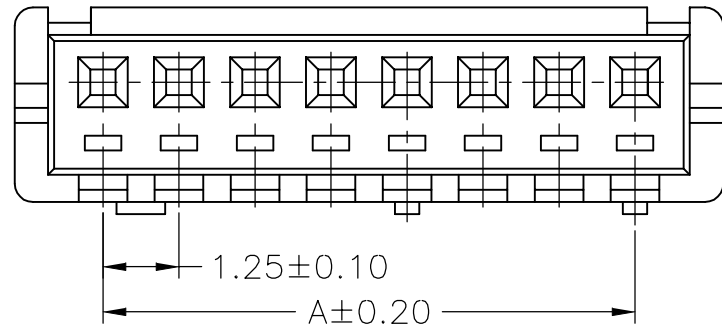
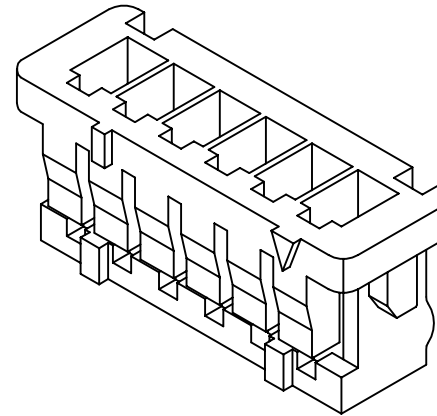
Temperature Range: -25°C ~ +85°C

Contact Resistance: 20mΩ Max.

Insulation Resistance: 500MΩ Min.

Withstanding Voltage: 500V AC/minute

Material: Nylon 66,UL94V-0



Formation & Dimensions

PART NO.	Dimensions	
	A	B
DF13-H-1X02	1.25	4.15
DF13-H-1X03	2.50	5.40
DF13-H-1X04	3.75	6.65
DF13-H-1X05	5.00	7.90
DF13-H-1X06	6.25	9.15
DF13-H-1X07	7.50	10.40
DF13-H-1X08	8.75	11.65
DF13-H-1X09	10.00	12.90
DF13-H-1X10	11.25	14.15
DF13-H-1X11	12.50	15.40
DF13-H-1X12	13.75	16.65
DF13-H-1X13	15.00	17.90
DF13-H-1X14	16.25	19.15
DF13-H-1X15	17.50	20.40

Allconnectors

www.allconnectors.eu | info@allconnectors.eu
Tel: +49 (0)711 / 358 110 20 | Fax: +49 (0)711 / 358 110 25

PART NO. **DF13-H-1Xxx**

DWG NO. **DF13-H-1Xxx**

FILE NO.

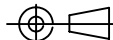
UNIT / mm

SCALE 1:1

CHECKED BY CY

DRAWING BY

PROJECTION



TOLERANCES ARE

.X ± 0.2
.XX ±
.XXX ±
AWG

DESCRIPTION:

**1.25mm PITCH
SINGLE ROW HOUSING**

AREA

REVISIONS

HK

DATE