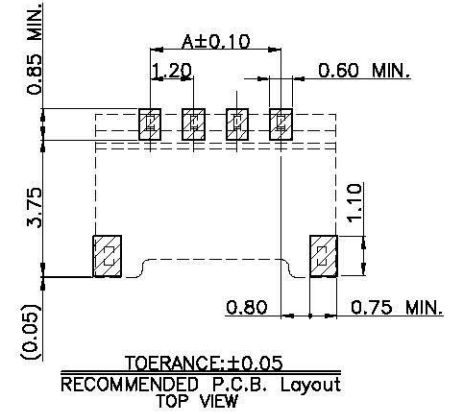
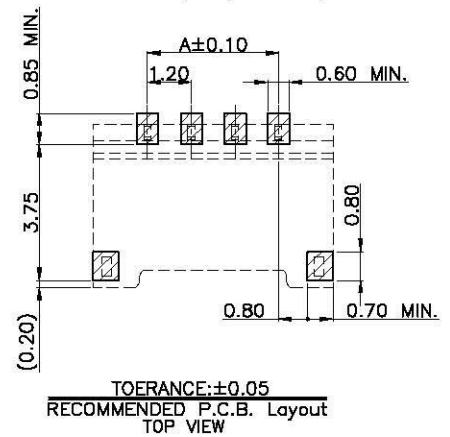
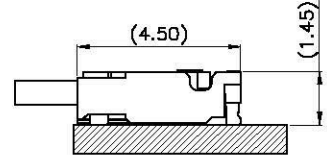
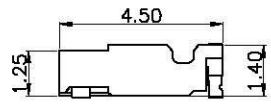
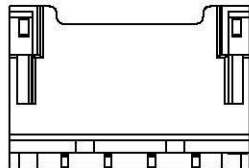
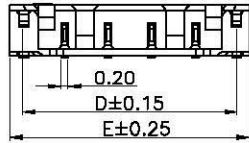
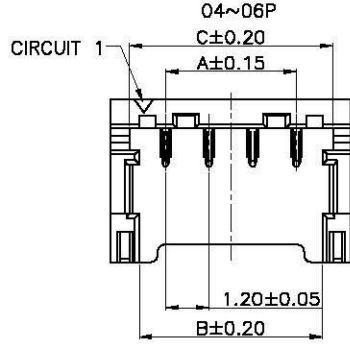
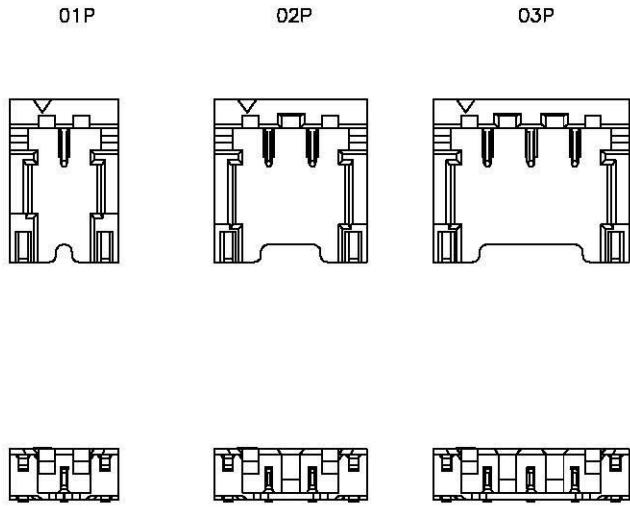


This document is the property of Targ Yu Enterprise and is delivered on the express condition that it is not to be disclosed, reproduced or used, in whole or in part, for manufacture or sale by anyone other than Targ Yu Enterprise without its prior consent, and that no right is granted to disclose or to use any information in this document.

Engineer Drawing

REV	ECN NO.	DESCRIPTION	DATE	APP'D
A/4		UPDATE DRAWING	01/19/13	Paul



Pin	DIM. (mm)				
	A	B	C	D	E
01	-	1.44	2.00	2.25	3.00
02	1.20	2.64	3.20	3.45	4.20
03	2.40	3.84	4.40	4.65	5.40
04	3.60	5.04	5.60	5.85	6.60
05	4.80	6.24	6.80	7.05	7.80
06	6.00	7.44	8.00	8.25	9.00

NOTES:

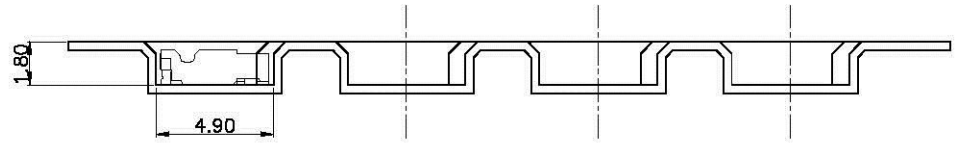
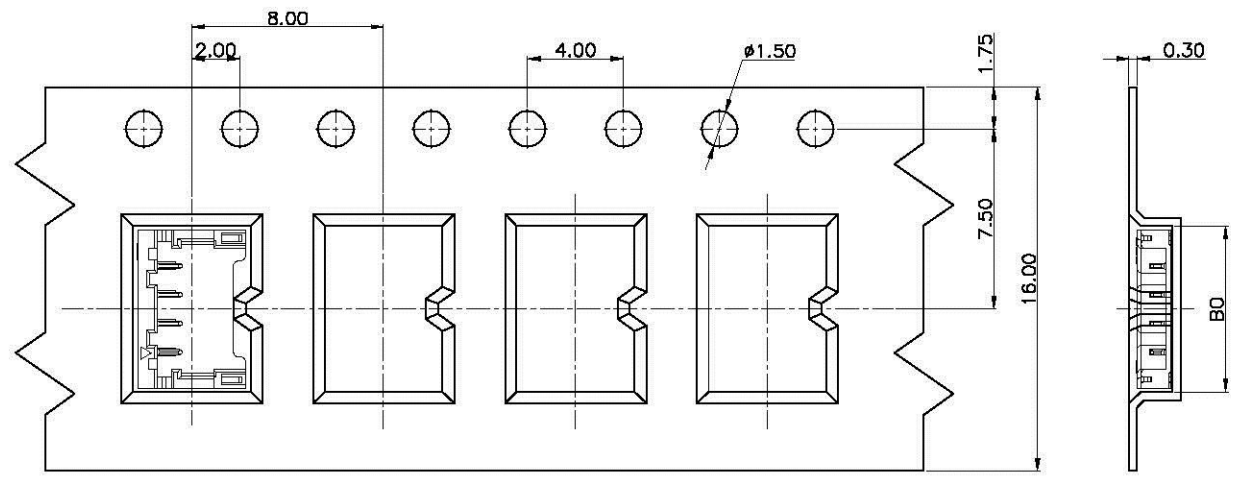
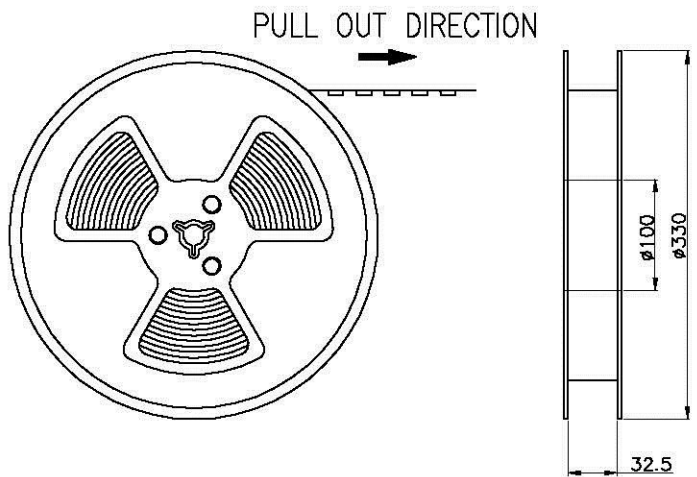
- MATERIAL:**
INSULATION: LCP, UL94V-0 (NATURE)
CONTACT: PHOSPHOR BRONZE
SOLDER TAB: PHOSPHOR BRONZE / 60u" MATTE-TIN PLATED OVER NICKEL
 - FINISH:** (VOID)--60u" MATTE-TIN PLATED OVER NICKEL
GO--GOLD FLASH OVER NICKEL
 - MATES WITH:** TU1203 SERIES HOUSING
 - PACKING:** 4500 PCS/TAPE REEL
 - ORDERING CODE:** TU1203WNV-NPS-*--NL-A
- PIN NO. _____ TAPE REEL PACKING
 SMT TYPE _____ NL--HALOGEN FREE
 CONTACT FINISH SEE NOTE 2

TOLERANCE X. ±0.30 X.X ±0.25 X.XX ±0.15 X.XXX ±0.08 ANGULA 3° UNLESS OTHERWISE SPECIFIED	APPROVALS		DATE	 www.allconnectors.de info@allconnectors.de 70794 Filderstadt - Germany	
	DRAWN <i>Siuwen Kong</i>		01/19/13'		
	CHK'D <i>Paul Chen</i>		01/19/13'	PART NO. TU1203WNV-NPS-*--NL-A	
	APP'D <i>Wayne Lai</i>		01/19/13'	DRAWING NO. EN-TU1203WNV-NPS-*--NL-A	
	UNITS mm		SCALE 1:1	SIZE: A4	TITLE: WIRE TO BOARD, RECEPTACLE, PITCH 1.20mm, SMT TYPE, ASSEMBLY

This document is the property of Targ Yu Enterprise and is delivered on the express condition that it is not to be disclosed, reproduced or used, in whole or in part, for manufacture or sale by anyone other than Targ Yu Enterprise without its prior consent, and that no right is granted to disclose or to use any information in this document.

Engineer Drawing

REV	ECN NO.	DESCRIPTION	DATE	APP'D
A/4		UPDATE DRAWING	01/19/13	Paul



Pin	DIM. (mm)
	B0
01	3.30
02	4.50
03	5.70
04	6.90
05	8.10
06	9.30

- NOTES:
- 10 SPROCKET HOLE PITCH CUMULATIVE TOLERANCE ± 0.20 .
 - CARRIER CAMBER IS WITHIN 1 mm IN 250 mm.
 - MATERIAL: BLACK CONDUCTIVE POLYSTYRENE ALLOY.(UP-5000)
 - ALL DIMENSIONS MEET EIA-481-C REQUIREMENTS.
 - THICKNESS: 0.30 ± 0.05 mm.
 - COMPONENT LOAD PER 13" REEL: 4500 PCS.

<p>TOLERANCE</p> <p>X. ± 0.30</p> <p>X.X ± 0.25</p> <p>X.XX ± 0.15</p> <p>X.XXX ± 0.08</p> <p>ANGULA 3'</p> <p>UNLESS OTHERWISE SPECIFIED</p>	APPROVALS		DATE	<p>www.allconnectors.de Tel.: 0049 711 7000503 70794 Hilderstadt Germany</p> <p>info@allconnectors.de Fax: 0049 711 7000501 Kettelerstr. 25</p>	
	DRAWN <i>Siuwen Kong</i>		01/19/13'		
	CHK'D <i>Paul Chen</i>		01/19/13'	PART NO. TU1203WNV-NPS-* -NL-A	TITLE: WIRE TO BOARD, RECEPTACLE, PITCH 1.20mm, SMT TYPE, ASSEMBLY
	APP'D <i>Wayne Lai</i>		01/19/13'	DRAWING NO. EN-TU1203WNV-NPS-* -NL-A	
UNITS mm		SCALE 1:1	SIZE: A4		SHEET 2 OF 3
REV. A/4					

This document is the property of Targ Yu Enterprise and is delivered on the express condition that it is not to be disclosed, reproduced or used, in whole or in part, for manufacture or sale by anyone other than Targ Yu Enterprise without its prior consent, and that no right is granted to disclose or to use any information in this document.

Engineer Drawing

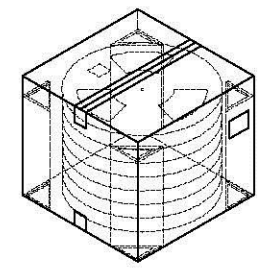
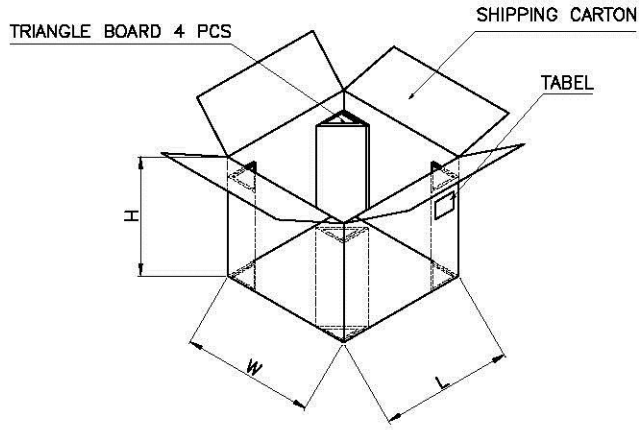
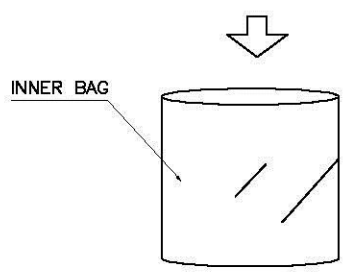
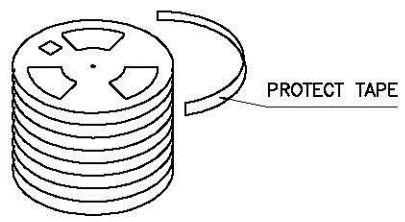
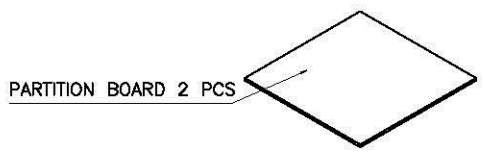
REV	ECN NO.	DESCRIPTION	DATE	APP'D
A/4		UPDATE DRAWING	01/19/13	Paul

PACKING MATERIAL

PART NAME	DIM(mm)
REEL	ø300*(W+0.5)
CARTON	350*350*340

PACKING CAPACITY

PART NO.	PCS/RE	RE/BC	PCS/BC
TU1203WNV-01S-*-NL-A	4,500PCS/RE	14 RE/BC	63,000 PCS/BC
TU1203WNV-02S-*-NL-A	4,500PCS/RE	14 RE/BC	63,000 PCS/BC
TU1203WNV-03S-*-NL-A	4,500PCS/RE	14 RE/BC	63,000 PCS/BC
TU1203WNV-04S-*-NL-A	4,500PCS/RE	14 RE/BC	63,000 PCS/BC
TU1203WNV-05S-*-NL-A	4,500PCS/RE	14 RE/BC	63,000 PCS/BC
TU1203WNV-06S-*-NL-A	4,500PCS/RE	14 RE/BC	63,000 PCS/BC



TOLERANCE

X.	±0.30
X.X	±0.25
X.XX	±0.15
X.XXX	±0.08
ANGULA	3°

UNLESS OTHERWISE SPECIFIED

APPROVALS

APPROVALS	DATE
DRAWN <i>Siuwen Kong</i>	01/19/13'
CHK'D <i>Paul Chen</i>	01/19/13'
APP'D <i>Wayne Lai</i>	01/19/13'

UNITS mm SCALE 1:1 SIZE: A4

All Connectors

www.allconnectors.de
Tel.: 0049 711 706503
70724 Hildesheim - Germany

In: log@allconnectors.de
Fax: 0049 711 706504
Reifenbergstr. 25

PART NO.
TU1203WNV-NPS-*-NL-A

DRAWING NO.
EN-TU1203WNV-NPS-*-NL-A

TITLE:
WIRE TO BOARD, RECEPTACLE,
PITCH 1.20mm, SMT TYPE,
ASSEMBLY

SHEET 3 OF 3

REV. A/4