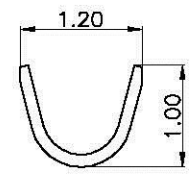
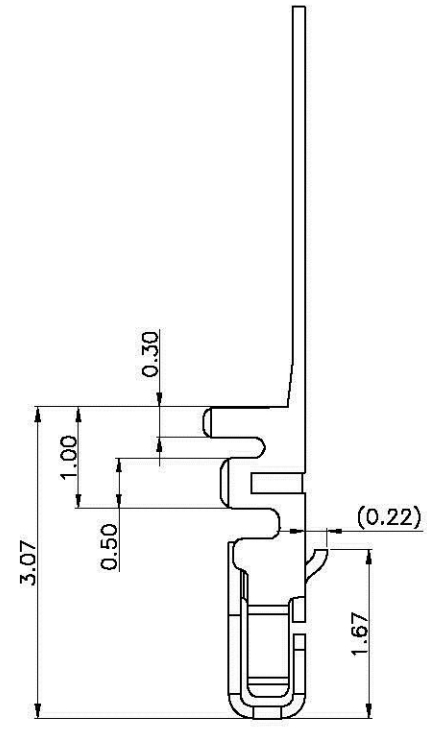
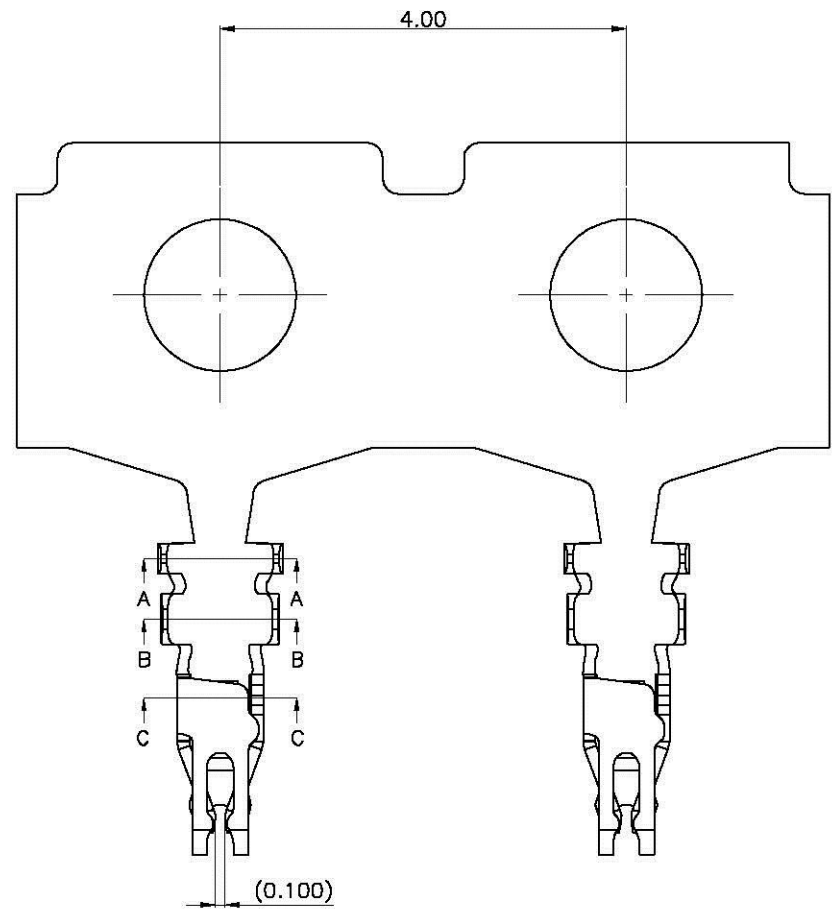


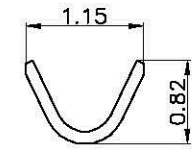
This document is the property of Targ Yu Enterprise and is delivered on the express condition that it is not to be disclosed, reproduced or used, in whole or in part, for manufacture or sale by anyone other than Targ Yu Enterprise without its prior consent, and that no right is granted to disclose or to use any information in this document.

Engineer Drawing

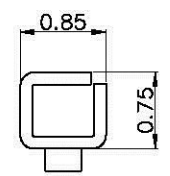
REV	ECN NO.	DESCRIPTION	DATE	APP'D
A/3		PRODUCT CONFIGURATION(STRUCTURE) MODIFY	11/10/11	Paul
A/4		UPDATE DRAWING	06/25/13	Paul



Section A-A



Section B-B



Section C-C

NOTES:

1. MATERIAL: PHOSPHOR BRONZE, $t=0.12\text{mm}$
2. FINISH: GOLD FLASH OVER NICKEL.
3. APPLICABLE WIRE RANGE: AWC#28~30
4. INSULATION O.D.: 0.50~0.70mm
5. PACKING: 20K/REEL
6. ORDERING CODE: TU1203TPO-*

FINISH SEE NOTE 2

TOLERANCE	
X.	± 0.30
X.X	± 0.25
X.XX	± 0.15
X.XXX	± 0.08
ANGULA	3'

UNLESS OTHERWISE SPECIFIED

APPROVALS		DATE
DRAWN	<i>Tsun Kong</i>	06/25/13*
CHK'D	<i>Paul Chen</i>	06/25/13*
APP'D	<i>Wayne Lai</i>	06/25/13*
UNITS	mm	SCALE 1:1

All Connectors
 www.allconnectors.de
 info@allconnectors.de
 Tel: 0049 711 2095100
 41261 Kallertstr. 1 Germany

PART NO. TU1203TPO-*	TITLE: WIRE TO BOARD, RECEPTACLE, PITCH 1.20mm, CRIMP TYPE, CONTACT
DRAWING NO. EN-TU1203TPO-*	
SHEET 1 OF 2	REV. A/4

This document is the property of Targ Yu Enterprise and is delivered on the express condition that it is not to be disclosed, reproduced or used, in whole or in part, for manufacture or sale by anyone other than Targ Yu Enterprise without its prior consent, and that no right is granted to disclose or to use any information in this document.

Engineer Drawing

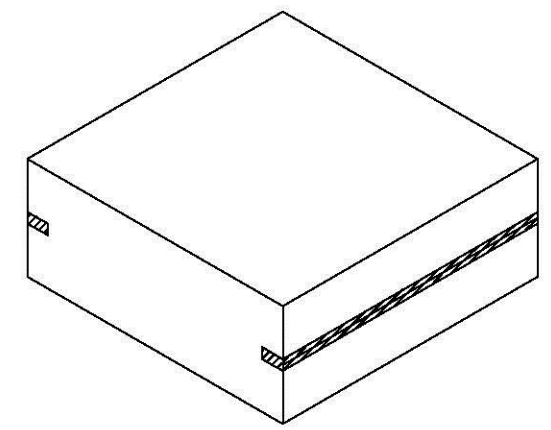
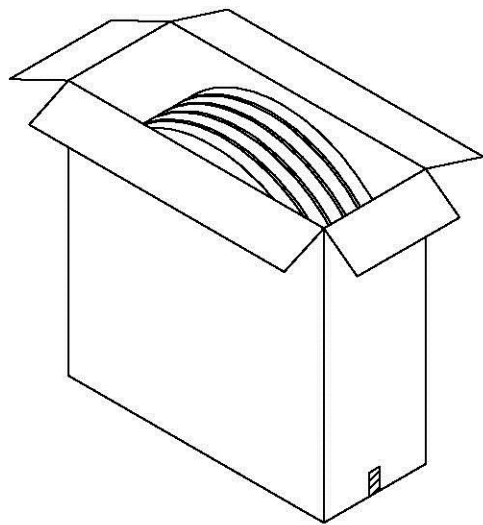
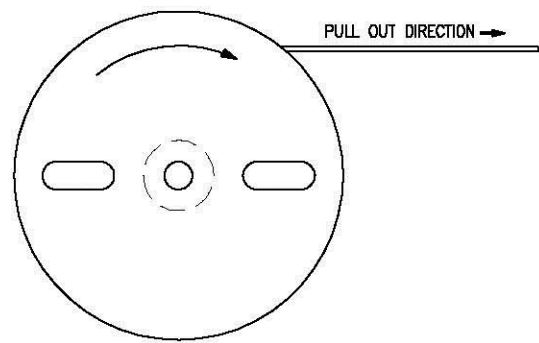
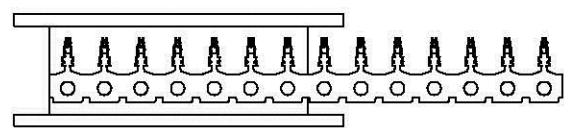
REV	ECN NO.	DESCRIPTION	DATE	APP'D
A/3		PRODUCT CONFIGURATION(STRUCTURE) MODIFY	11/10/11	Paul
A/4		UPDATE DRAWING	06/25/13	Paul

PACKING MATERIAL

PART NAME	DIM(mm)
CARTON	580*580*210


PACKING CAPACITY

PART NO.	PCS/RE	RE/BC	PCS/BC
TU1203TPO-*	20,000 PCS/RE	8 RE/BC	160,000 PCS/BC



TOLERANCE	
X.	±0.30
X.X	±0.25
X.XX	±0.15
X.XXX	±0.08
ANGULA	3'
UNLESS OTHERWISE SPECIFIED	

APPROVALS		DATE
DRAWN	<i>Tsun Kong</i>	06/25/13*
CHK'D	<i>Paul Chen</i>	06/25/13*
APP'D	<i>Wayne Lai</i>	06/25/13*
UNITS	mm	SCALE 1:1
		SIZE: A4



www.allconnectors.com
Tel: 0049 7141 200505
40744 Hilderstadt - Germany

info@allconnectors.com
Fax: 0049 7141 200501
Kettnerstr. 25

PART NO. TU1203TPO-*	TITLE: WIRE TO BOARD, RECEPTACLE, PITCH 1.20mm, CRIMP TYPE, CONTACT
DRAWING NO. EN-TU1203TPO-*	
SHEET 2 OF 2	

REV. A/4
