

This document is the property of Targ Yu Enterprise and is delivered on the express condition that it is not to be disclosed, reproduced or used, in whole or in part, for manufacture or sale by anyone other than Targ Yu Enterprise without its prior consent, and that no right is granted to disclose or to use any information in this document.

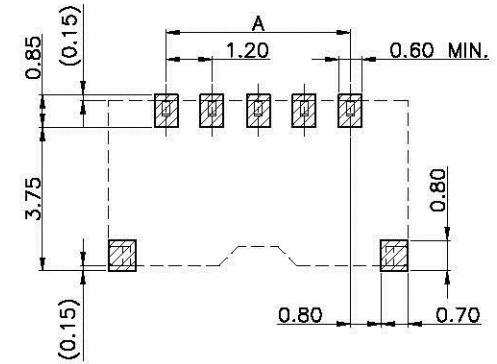
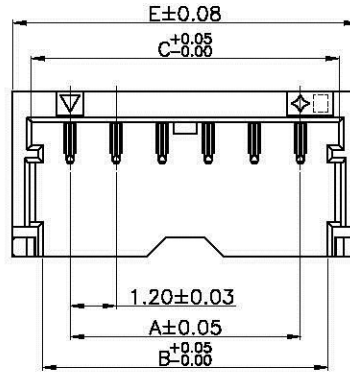
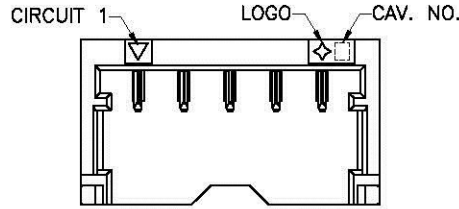
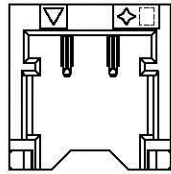
Engineer Drawing

REV	ECN NO.	DESCRIPTION	DATE	APP'D
A/0		NEW DRAWING	08/13/13	Paul
A/1		AMEND PRODUCTION	10/28/13	Paul

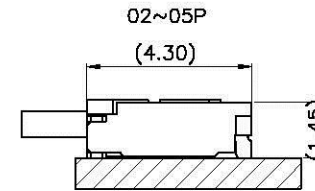
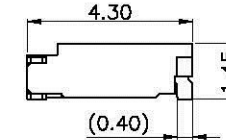
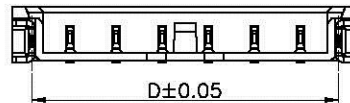
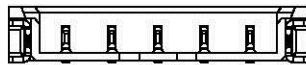
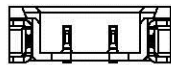
02P

03~05P

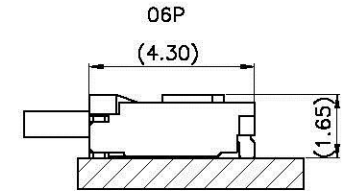
06P



TOLERANCE: ±0.05
RECOMMENDED P.C.B. Layout
TOP VIEW



Mating Condition (REF.)



Mating Condition (REF.)

PIN	DIM.(mm)				
	A	B	C	D	E
02	2.60	3.20	3.20	4.20	
03	2.40	3.80	4.40	4.40	5.40
04	3.60	5.00	5.60	5.60	6.60
05	4.80	6.20	6.80	6.80	7.80
06	6.00	7.40	8.00	8.00	9.00

NOTES:

- MATERIAL:
INSULATION(HALOGEN FREE): LCP, UL94V-0 (BLACK)
CONTACT: COPPER ALLOY
SOLDER TAB: COPPER ALLOY, t=0.20mm / MATTE-TIN PLATED OVER NICKEL
- CONTACT FINISH: (VOID)--MATTE-TIN PLATED OVER NICKEL
GO--GOLD FLASH OVER NICKEL
- MATES WITH: TU1202 SERIES HOUSING
- ORDERING CODE: TU1202WNV-NPSA-*--NL-A

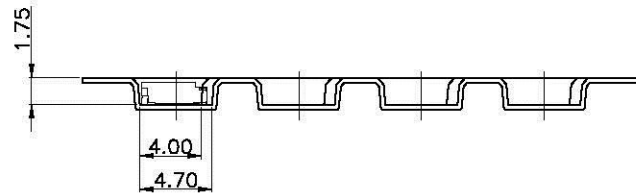
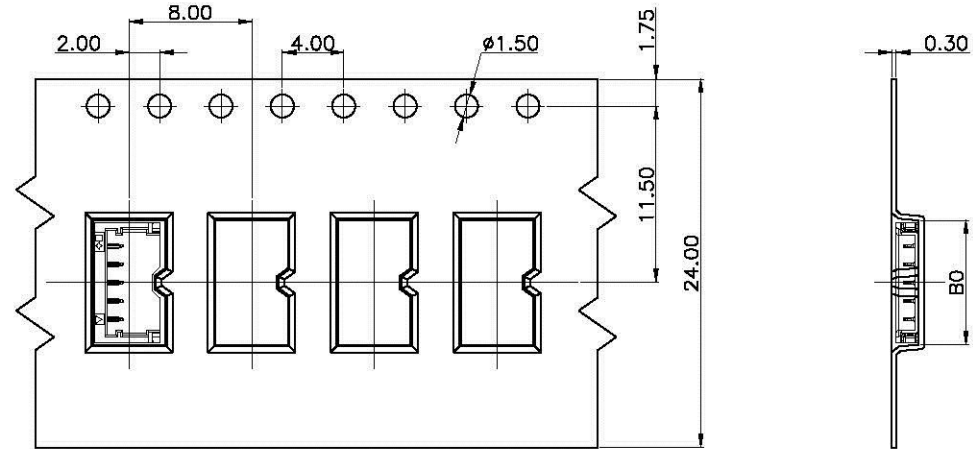
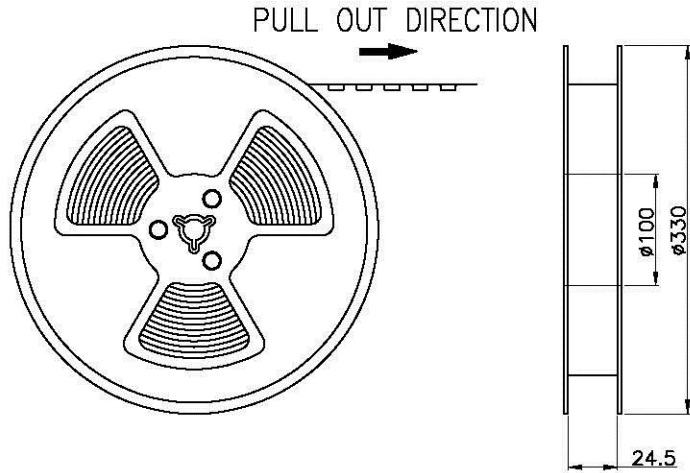


TOLERANCE		APPROVALS		DATE	All Connectors	
X.X	±0.25	DRAWN <i>Iwan Kong</i>		10/28/13'	www.allconnectors.com TEL: 0049 711 700508 70704 Pflersbach - Germany	
X.XX	±0.15	CHK'D <i>Paul Chen</i>		10/28/13'	PART NO. TU1202WNV-NPSA-*--NL-A	TITLE: WIRE TO BOARD, WAFER, PITCH 1.20mm, SMT TYPE, ASSEMBLY
ANGULA	3'	APP'D <i>Wayne Lai</i>		10/28/13'	DRAWING NO. EN-TU1202WNV-NPSA-*--NL-A	
UNLESS OTHERWISE SPECIFIED		UNITS mm	SCALE 1:1	SIZE: A4	SHEET 1 OF 3	REV. A/1

This document is the property of Targ Yu Enterprise and is delivered on the express condition that it is not to be disclosed, reproduced or used, in whole or in part, for manufacture or sale by anyone other than Targ Yu Enterprise without its prior consent, and that no right is granted to disclose or to use any information in this document.

Engineer Drawing

REV	ECN NO.	DESCRIPTION	DATE	APP'D
A/0		NEW DRAWING	08/13/13	Paul
A/1		AMEND PRODUCTION	10/28/13	Paul



PIN	DIM.(mm)
	B0
02	4.50
03	5.70
04	6.90
05	8.10
06	9.30

NOTES:

- 10 SPROCKET HOLE PITCH CUMULATIVE TOLERANCE ± 0.20
- CARRIER CAMBER IS WITHIN 1 mm IN 250 mm
- MATERIAL : BLACK CONDUCTIVE POLYSTYRENE ALLOY.(UP-5000)
- ALL DIMENSIONS MEET EIA-481-C REQUIREMENTS
- THICKNESS : 0.30 ± 0.05 mm
- COMPONENT LOAD PER 13" REEL : 4500 PCS

TOLERANCE		APPROVALS		DATE	All Connectors		
X.X	± 0.25	DRAWN	<i>Tiwen Kong</i>	10/28/13'	<small>www.allconnectors.de Tel: 0049 211 2009102 70724 Fildorstadt Germany</small>		
	X.XX	± 0.15	CHK'D	<i>Paul Chen</i>			10/28/13'
ANGULA		3'	APP'D	<i>Wayne Lai</i>	10/28/13'	PART NO.	TITLE:
	UNLESS OTHERWISE SPECIFIED		UNITS mm	SCALE 1:1	SIZE: A4	TU1202WNV-NPSA-*--NL-A	
						SHEET 2 OF 3	REV. A/1

All Connectors

www.allconnectors.de
Tel: 0049 211 2009102
70724 Fildorstadt Germany

info@allconnectors.de
Fax: 0049 211 2009504
Kulmbacher Str. 25

PART NO. TU1202WNV-NPSA-*--NL-A
DRAWING NO. EN-TU1202WNV-NPSA-*--NL-A

WIRE TO BOARD, WAFER,
PITCH 1.20mm, SMT TYPE,
ASSEMBLY

REV. A/1

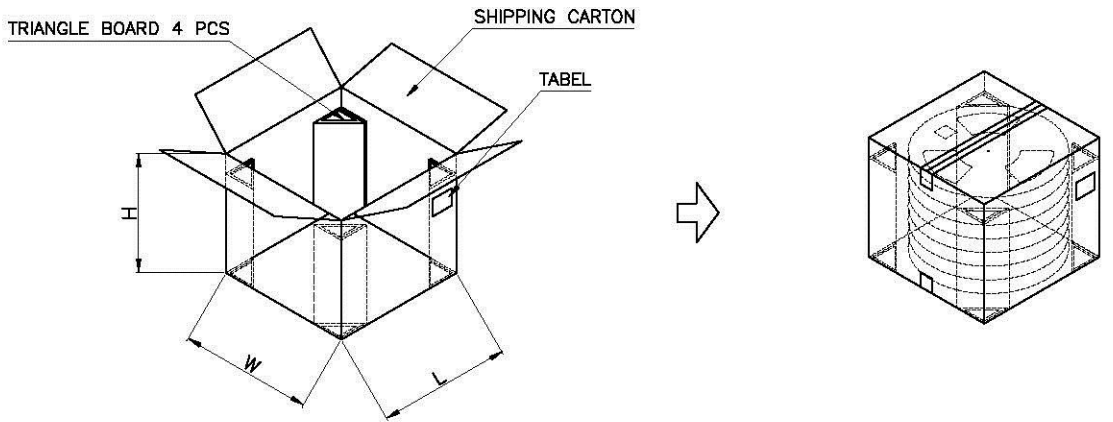
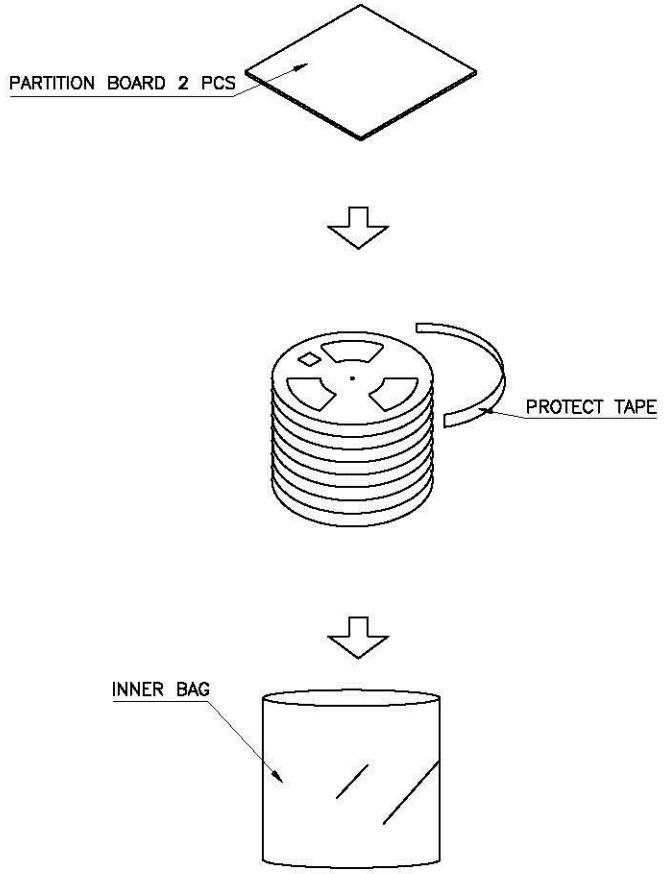
This document is the property of Targ Yu Enterprise and is delivered on the express condition that it is not to be disclosed, reproduced or used, in whole or in part, for manufacture or sale by anyone other than Targ Yu Enterprise without its prior consent, and that no right is granted to disclose or to use any information in this document.

Engineer Drawing

REV	ECN NO.	DESCRIPTION	DATE	APP'D
A/0		NEW DRAWING	08/13/13	Paul
A/1		AMEND PRODUCTION	10/28/13	Paul

PACKING MATERIAL	
PART NAME	DIM(mm)
REEL	ø300*(W+0.5)
CARTON	350*350*340

PACKING CAPACITY			
PART NO.	PCS/RE	RE/BC	PCS/BC
TU1202WNV-02SA-*--NL-A	4,500 PCS/RE	10 RE/BC	45,000 PCS/BC
TU1202WNV-03SA-*--NL-A	4,500 PCS/RE	10 RE/BC	45,000 PCS/BC
TU1202WNV-04SA-*--NL-A	4,500 PCS/RE	10 RE/BC	45,000 PCS/BC
TU1202WNV-05SA-*--NL-A	4,500 PCS/RE	10 RE/BC	45,000 PCS/BC
TU1202WNV-06SA-*--NL-A	4,500 PCS/RE	10 RE/BC	45,000 PCS/BC



TOLERANCE		APPROVALS		DATE	All Connectors	
X.X	±0.25	DRAWN	<i>Tiwen Kong</i>	10/28/13'	www.allconnectors.de	info@allconnectors.de
X.XX	±0.15	CHK'D	<i>Paul Chen</i>	10/28/13'	www.allconnectors.de	info@allconnectors.de
ANGULA	3'	APP'D	<i>Wayne Lai</i>	10/28/13'	www.allconnectors.de	info@allconnectors.de
UNLESS OTHERWISE SPECIFIED		UNITS mm	SCALE 1:1	SIZE: A4	SHEET 3 OF 3	
				PART NO. TU1202WNV-NPSA-*--NL-A		TITLE: WIRE TO BOARD, WAFER, PITCH 1.20mm, SMT TYPE, ASSEMBLY
				DRAWING NO. EN-TU1202WNV-NPSA-*--NL-A		REV. A/1