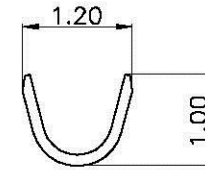
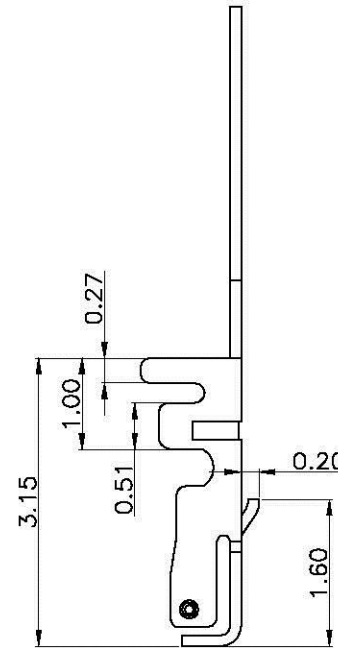
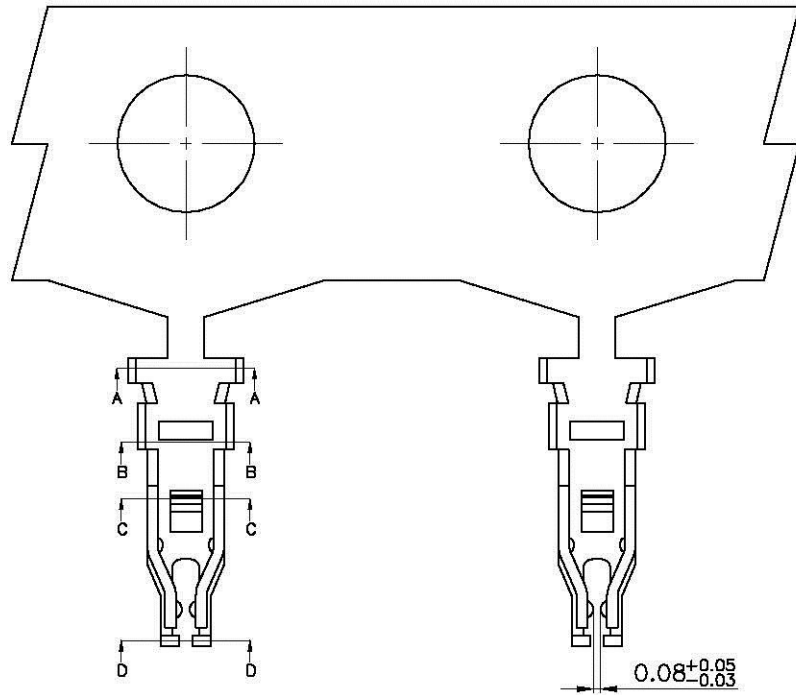


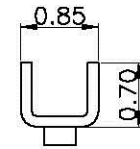
This document is the property of Targ Yu Enterprise and is delivered on the express condition that it is not to be disclosed, reproduced or used, in whole or in part, for manufacture or sale by anyone other than Targ Yu Enterprise without its prior consent, and that no right is granted to disclose or to use any information in this document.

Engineer Drawing

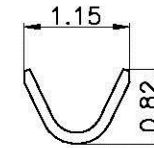
| REV | ECN NO. | DESCRIPTION | DATE | APP'D |
|-----|---------|---|----------|----------|
| A/0 | | RELEASE TO PRODUCTION | 02/08/10 | Goldberg |
| A/1 | | PRODUCT CONFIGURATION(STRUCTURE) MODIFY | 06/29/11 | Paul |
| A/2 | | PACKING QUANTITY MODIFY | 05/02/12 | Paul |



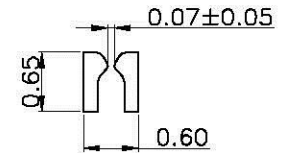
Section A-A



Section C-C



Section B-B



Section D-D

NOTES:

1. MATERIAL: PHOSPHOR BRONZE, t=0.12mm
2. FINISH: GO GOLD FLASH OVER NICKEL.
3. APPLICABLE WIRE RANGE: AWG#28~30
4. INSULATION O.D.: $\phi 0.60 \sim 0.70$ mm
5. PACKING: 20K/REEL
6. ORDERING CODE : TU1202TPO-X

FINISH SEE NOTE 2

| TOLERANCE | | APPROVALS | | DATE | All Connectors | |
|----------------------------|-------|-----------|--------------------|-----------|--|--|
| X. | ±0.30 | DRAWN | <i>Shou wen wu</i> | 05/02/12' | www.allconnectors.de Tel.: 0049 711 7009501 All Connectors GmbH, Germany | |
| X.X | ±0.25 | CHK'D | <i>Paul Chan</i> | 05/02/12' | PART NO. | TITLE: |
| X.XX | ±0.15 | APP'D | <i>Wayne Lai</i> | 05/02/12' | TU1202TPO-X | WIRE TO BOARD, PLUG, PITCH 1.20mm, CRIMP TYPE, CONTACT |
| X.XXX | ±0.08 | UNITS | mm | SCALE | 1:1 | SIZE: A4 |
| ANGULA | 3' | | | | SHEET 1 OF 2 | REV. A/2 |
| UNLESS OTHERWISE SPECIFIED | | | | | | |

This document is the property of Targ Yu Enterprise and is delivered on the express condition that it is not to be disclosed, reproduced or used, in whole or in part, for manufacture or sale by anyone other than Targ Yu Enterprise without its prior consent, and that no right is granted to disclose or to use any information in this document.

Engineer Drawing

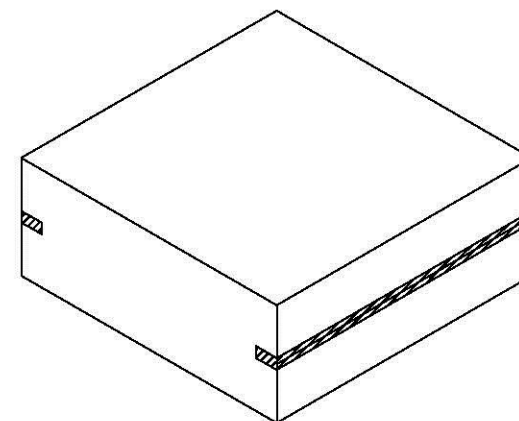
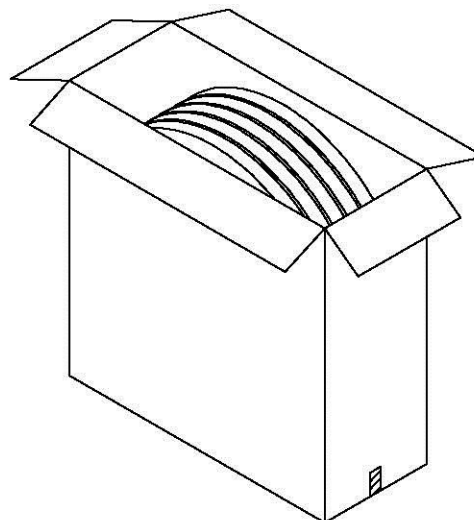
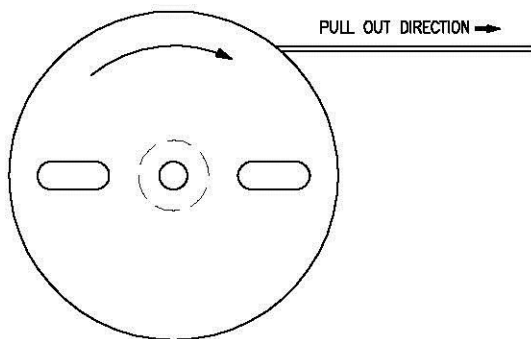
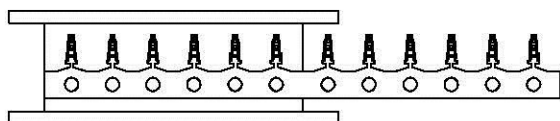
| REV | ECN NO. | DESCRIPTION | DATE | APP'D |
|-----|---------|---|----------|----------|
| A/0 | | RELEASE TO PRODUCTION | 02/08/10 | Goldberg |
| A/1 | | PRODUCT CONFIGURATION(STRUCTURE) MODIFY | 06/29/11 | Paul |
| A/2 | | PACKING QUANTITY MODIFY | 05/02/12 | Paul |

PACKING MATERIAL

| PART NAME | DIM(mm) |
|-----------|-------------|
| CARTON | 580*580*210 |

PACKING CAPACITY

| PART NO. | PCS/RE | RE/BC | PCS/BC |
|-------------|--------------|---------|----------------|
| TU1202TPO-X | 20,000PCS/RE | 8 RE/BC | 160,000 PCS/BC |



| TOLERANCE | |
|----------------------------|-------|
| X. | ±0.30 |
| X.X | ±0.25 |
| X.XX | ±0.15 |
| X.XXX | ±0.08 |
| ANGULA | 3' |
| UNLESS OTHERWISE SPECIFIED | |

| APPROVALS | | DATE |
|-----------|--------------------|-----------|
| DRAWN | <i>Shou wen wu</i> | 05/02/12' |
| CHK'D | <i>Paul Chan</i> | 05/02/12' |
| APP'D | <i>Wayne Lai</i> | 05/02/12' |
| UNITS | mm | SCALE 1:1 |
| | | SIZE: A4 |

All Connectors
 www.allconnectors.de
 info@allconnectors.de
 41049 Hildesheim - Germany

| | |
|-------------------------------|--|
| PART NO. TU1202TPO-X | TITLE: WIRE TO BOARD, PLUG, PITCH 1.20mm, CRIMP TYPE, CONTACT |
| DRAWING NO. EN-TU1202TPO-X | |
| SHEET 2 OF 2 | |
| REV. A/2 | |