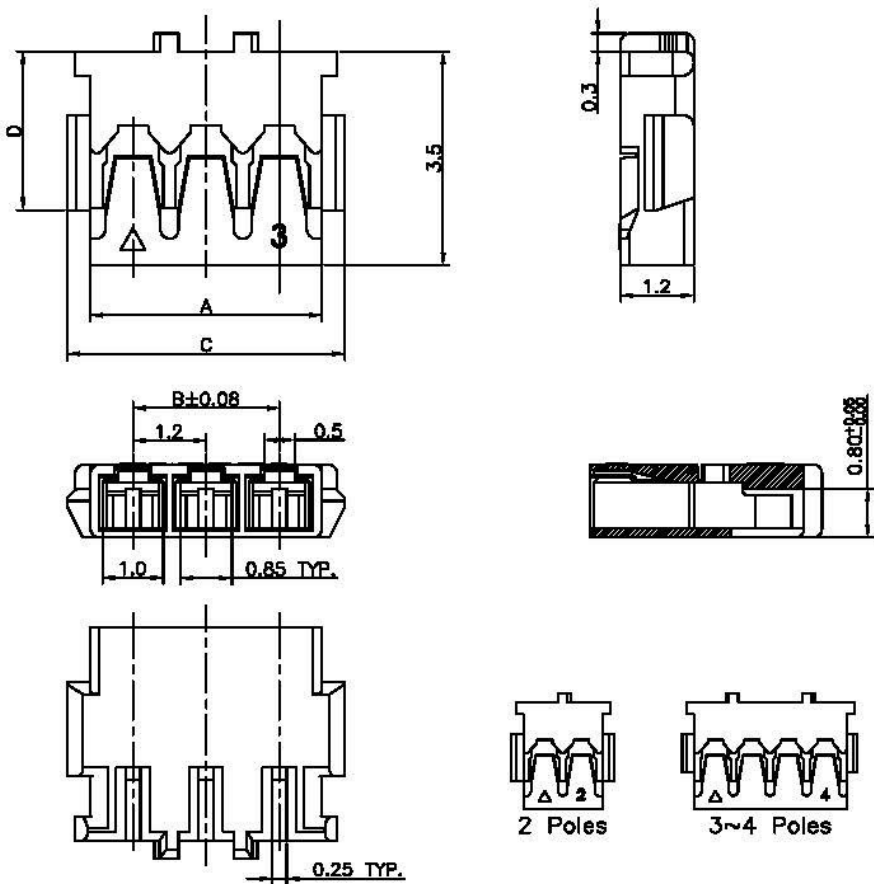


1. 20mm PITCH WIRE TO BOARD CONNECTORS, CRIMP HOUSING
 2, 3, 4 CIRCUITS, SINGLE ROW, ROHS COMPLIANT



Specification:

Current Rating: 2A AC/DC
 Voltage Rating: 50V AC/DC
 Material: LCP, UL94V-0
 QTY: 2,000 PCS/ Bag

Ordering Information

HSP - 120 XX
 ①

① No. of Contacts: 2, 3, 4

POS.	A	B	C	D
2	2.60	--	3.35	2.60
3	3.80	2.40	4.55	2.60
4	5.00	3.60	5.75	2.30