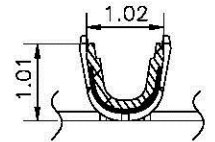
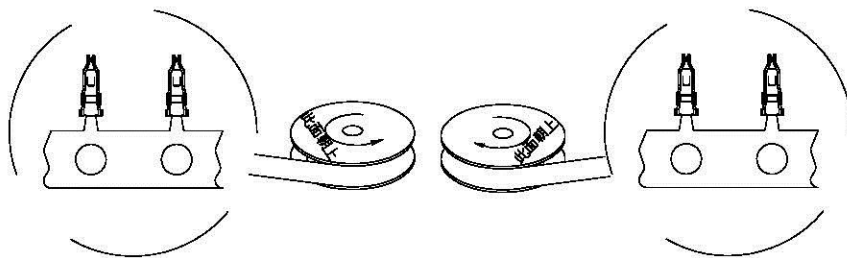
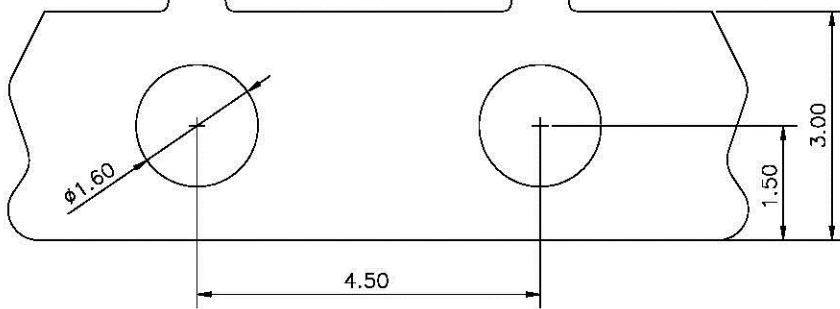
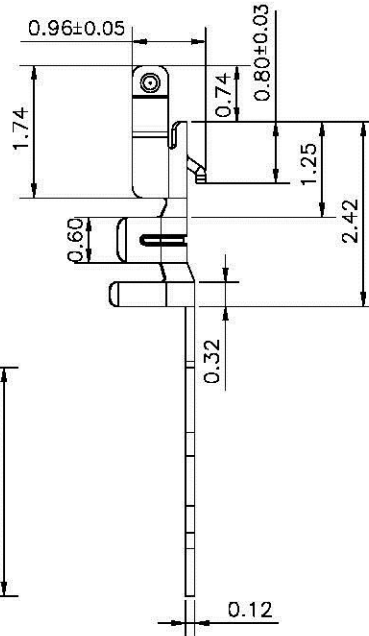
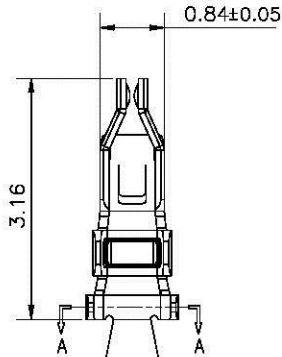
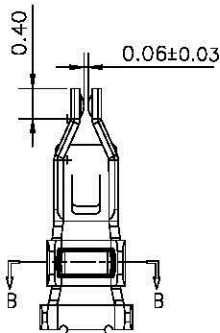


SECTION A-A



SECTION B-B



WIND OPERATION AFTER STAMPING AND BEFORE PLATING

WIND OPERATION AFTER PLATING AND BEFORE ASSEMBLY

■ SPECIFICATIONS

- Voltage rating: 50V AC, DC
- Current rating: 2A, AC, DC
- Withstanding Voltage : 500V AC/minute
- Insulation Resistance : 100MΩmin.
- Temperature Range : - 25°C to + 85°C
- Contact Resistance : 20mΩmax.

■ TERMINAL

- Part No. :
- Applicable wires: AWG#28-30
- Material: Phosphor Bronze
- Finish : Gold Flash
- Used in SWB 1224 series Housing
- Q'ty: 10000 pcs/Reel

All Connectors

www.allconnectors.de
Tel.: 0049 711 7009503
40754 Hilderstadt Germany

info@allconnectors.de
Fax: 0049 711 7009504
Kottenerstr. 25

Date	Old VER NO.	New VER NO.	Modify the content	Remark

PART NO

1.20 mm Crimp Style connectors

DRAWN BY

CHECKED BY

APPROVED BY

苏元桃

UNIT

VIEW

SIZE

TOLERANCE

mm



A4

.0 ±0.3

SCALE

DRAWN DATA

VER NO.

.00 ±0.2

.000 ±0.1

4:1

2010/06/25

B