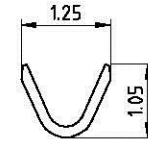
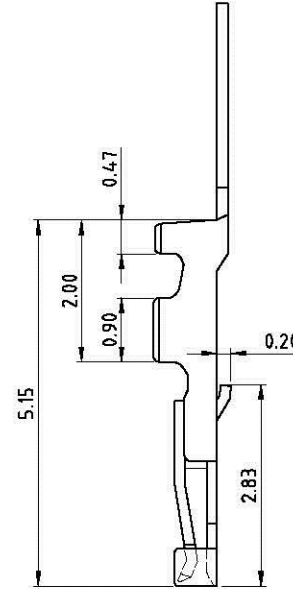
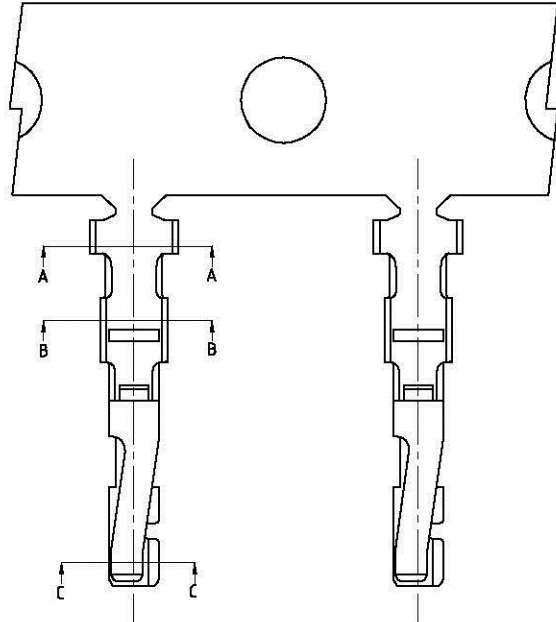


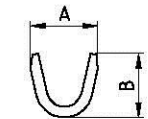
This document is the property of Tang Yu Enterprise and is delivered on the express condition that it is not to be disclosed, reproduced or used, in whole or in part, for manufacture or sale by anyone other than Tang Yu Enterprise without its prior consent, and that no right is granted to disclose or to use any information in this document.

Engineer Drawing

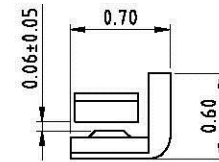
REV	ECN NO.	DESCRIPTION	DATE	APP'D
C/0		RELEASE TO PRODUCTION	03/19/10	Goldberg
C/1		NEW WIRE RANGE 34#	03/25/11	Goldberg



Section A-A



Section B-B



Section C-C(SCALE 2:1)

NOTES:


- MATERIAL: PHOSPHOR BRONZE, $t=0.15\text{mm}$
- FINISH: A TIN-PLATED OVER NICKEL.
 AE PRESSING BEFORE 60u" TIN-PLATED OVER NICKEL.
 GO GOLD FLASH OVER NICKEL.
 G* GOLD *u" OVER NICKEL.
- APPLICABLE WIRE RANGE: SEE CONTACT INFORMATION.
- INSULATION O.D.: SEE CONTACT INFORMATION.
- USE WITH: TU1007 SERIES HOUSING
- PACKING: SEE CONTACT INFORMATION.
- ORDERING CODE : TU1007TP*-*
 H HIGH CRIMP HEIGHT FINISH SEE NOTE 2
 L LOW CRIMP HEIGHT

CONTACT INFORMATION:

Part No.	Wire Range	Insulation O.D.	DIM.(mm)		Q'ty/Reel
			A	B	
TU1007TPH-*	AWG#28~#30	ø0.50~0.60mm	1.05	1.15	15,000 pcs
TU1007TPL-*	AWG#32~#34	ø0.30~0.40mm	0.95	0.90	20,000 pcs

TOLERANCE	
X.	±0.30
X.X	±0.25
X.XX	±0.15
X.XXX	±0.08
ANGULA	3°

UNLESS OTHERWISE SPECIFIED

APPROVALS	DATE	 www.allconnectors.de Tel.: 0049 711 7009503 70794 Bielefeld - Germany	
DRAWN <i>Spinach Yang</i>	03/25/11'		
CHK'D <i>Paul Shen</i>	03/25/11'	PART NO. TU1007TP*-*	TITLE: WIRE TO BOARD, PLUG, PITCH 1.00mm, CRIMP TYPE, CONTACT
APP'D <i>Paul Shen</i>	03/25/11'	DRAWING NO. EN-TU1007TP*-*	
UNITS mm	SCALE 1:1	SIZE: A4	 SHEET 1 OF 2

REV. C/1

This document is the property of Tang Yu Enterprise and is delivered on the express condition that it is not to be disclosed, reproduced or used, in whole or in part, for manufacture or sale by anyone other than Tang Yu Enterprise without its prior consent, and that no right is granted to disclose or to use any information in this document.

Engineer Drawing

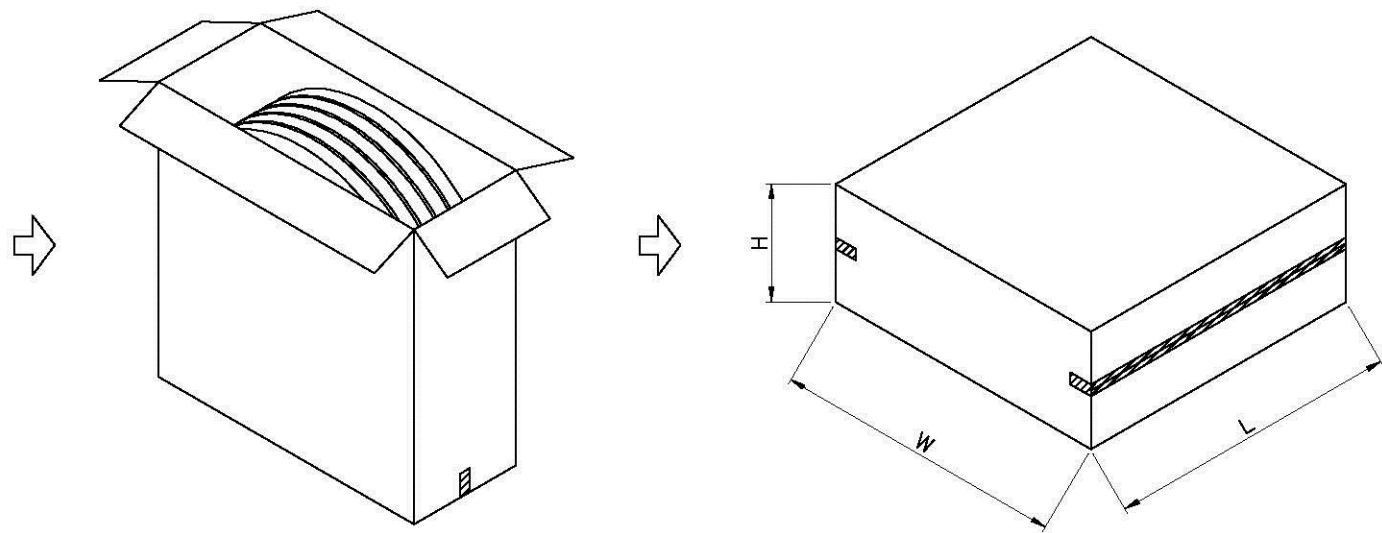
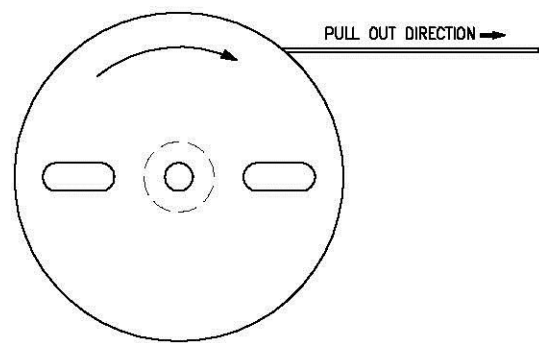
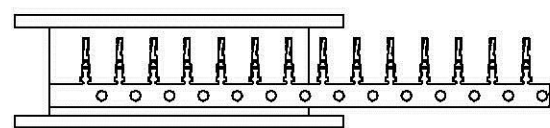
REV	ECN NO.	DESCRIPTION	DATE	APP'D
C/0		RELEASE TO PRODUCTION	03/19/10	Goldberg
C/1		NEW WIRE RANGE 34#	03/25/11	Goldberg

PACKING MATERIAL

PART NAME	DIM(mm)
CARTON	470*470*210

PACKING CAPACITY

PART NO.	PCS/RE	RE/BC	PCS/BC
TU1007TPL-*	20,000PCS/RE	6 RE/BC	120,000 PCS/BC
TU1007TPH-*	15,000PCS/RE	8 RE/BC	120,000 PCS/BC



TOLERANCE X. ±0.30 X.X ±0.25 X.XX ±0.15 X.XXX ±0.08 ANGULA 3° UNLESS OTHERWISE SPECIFIED	APPROVALS		DATE	 <small>www.allconnectors.de TEL: 0049 711 7006003 70721 Filderstadt - Germany</small>		<small>info@allconnectors.de Fax: 0049 711 7006504 Kettnerstr. 25</small>	
	DRAWN <i>Spinach Yang</i>		03/25/11'				
	CHK'D <i>Paul Shen</i>		03/25/11'	PART NO. TU1007TP*-*		TITLE: WIRE TO BOARD, PLUG, PITCH 1.00mm, CRIMP TYPE, CONTACT	
	APP'D <i>Paul Shen</i>		03/25/11'	DRAWING NO. EN-TU1007TP*-*			
UNITS mm		SCALE 1:1	SIZE: A4	SHEET 2 OF 2		REV. C/1	