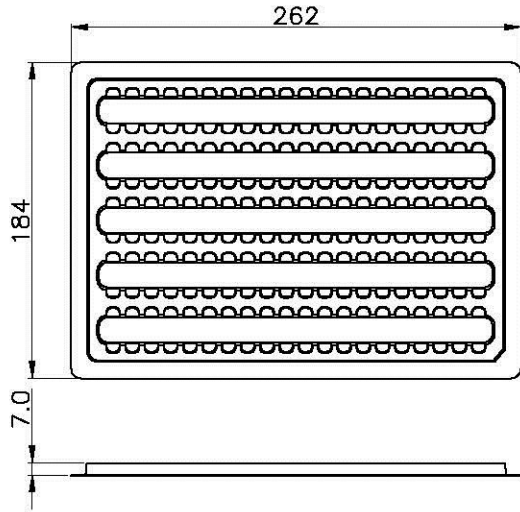


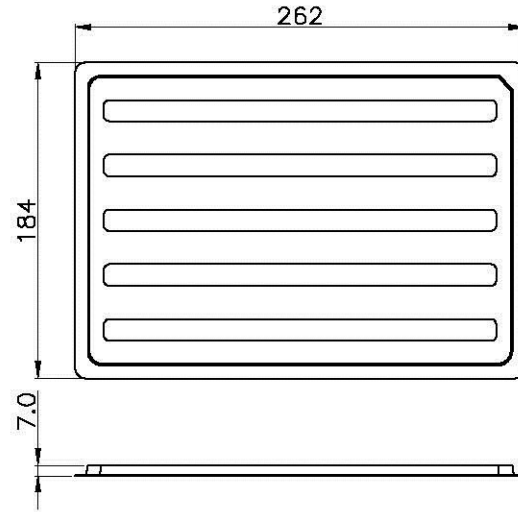
This document is the property of Targ Yu Enterprise and is delivered on the express condition that it is not to be disclosed, reproduced or used, in whole or in part, for manufacture or sale by anyone other than Targ Yu Enterprise without its prior consent, and that no right is granted to disclose or to use any information in this document.

Engineer Drawing

REV	ECN NO.	DESCRIPTION	DATE	APP'D
A/0		RELEASE TO PRODUCTION	10/18/10'	Goldberg
A/1		PRODUCT CONFIGURATION MONDIFY	07/15/11'	Paul
A/2		PRODUCT CONFIGURATION MONDIFY	07/20/12'	Paul



TRAY



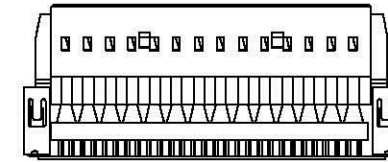
TRAY COVER

PACKING MATERIAL

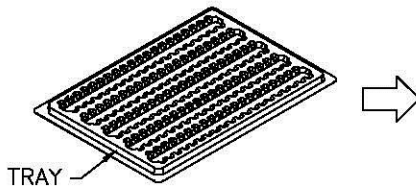
PART NAME	DIM(mm)	Q'ty
TRAY	262*184*7.0	90
TRAY COVER	262*184*7.0	90
PE BAG	NA	18
DRIER	NA	APPROPRIATE
CARTON	350*350*340	1

PACKING CAPACITY

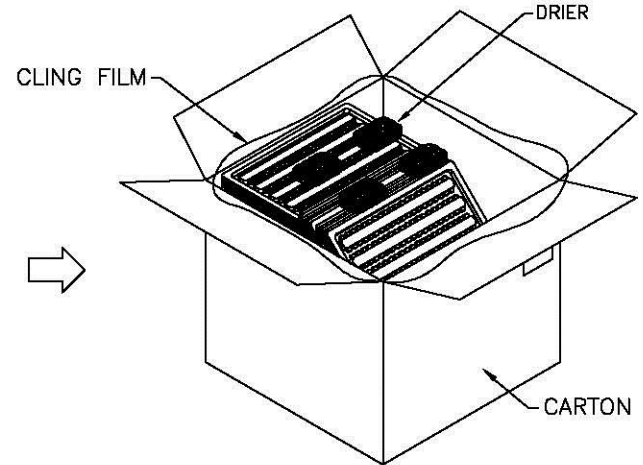
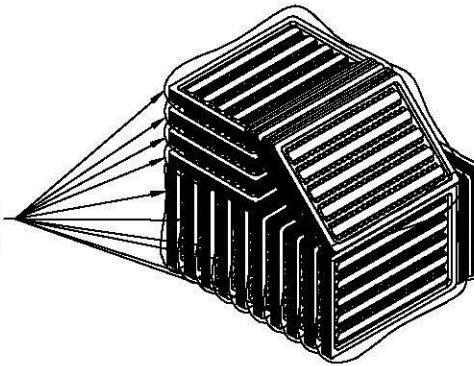
PART NO.	PCS/TR	TR/BC	PCS/BC
TS1007HNO-NP-*-NL	100 PCS/TR	90 TR/BC	9,000 PCS/BC



PRODUCT



PE BAG
5 TR/PE BAG



NOTES:

1. SHOWN; ACCORDING TO THE QUANTITY SPECIFIED IN THE PRODUCT INTO THE TRAY.
2. ADD APPROPRIATE AMOUNT OF DESICCANT, THE USE OF CLING FILM PACKAGING, AND THEN PE BAG, AND FINALLY INTO THE CARTONS, SEALING TAPE.

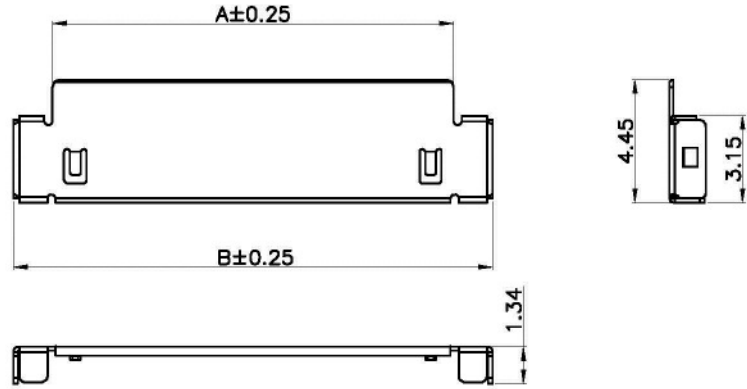
TOLERANCE	APPROVALS	DATE	All Connectors	
X. ±0.30	DRAWN <i>Fiao Lei</i>	11/07/12'	www.allconnectors.de	info@allconnectors.de
X.X ±0.25	CHK'D <i>Paul Chen</i>	11/07/12'	Tel.: 0049 711 7009503	Fax: 0049 711 7009504
X.XX ±0.15	APP'D <i>Wayne Lai</i>	11/07/12'	70254 Filderstadt - Germany	Kettnerstr. 25
X.XXX ±0.08			PART NO. TS1007HNO-NP-*-NL	TITLE: WIRE TO BOARD, PLUG, PITCH 1.00mm, SOLDER TYPE, ASSEMBLY
ANGULA 3'			DRAWING NO. EN-TS1007HNO-NP-*-NL	
UNLESS OTHERWISE SPECIFIED	UNITS mm	SCALE 1:1	SIZE: A4	SHEET 2 OF 3

REV. A/2

This document is the property of Targ Yu Enterprise and is delivered on the express condition that it is not to be disclosed, reproduced or used, in whole or in part, for manufacture or sale by anyone other than Targ Yu Enterprise without its prior consent, and that no right is granted to disclose or to use any information in this document.

Engineer Drawing

REV	ECN NO.	DESCRIPTION	DATE	APP'D
A/0		RELEASE TO PRODUCTION	10/18/10'	Goldberg
A/1		PRODUCT CONFIGURATION MONDIFY	07/15/11'	Paul
A/2		PRODUCT CONFIGURATION MONDIFY	07/20/12'	Paul

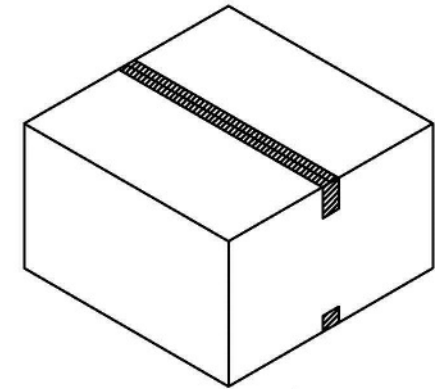
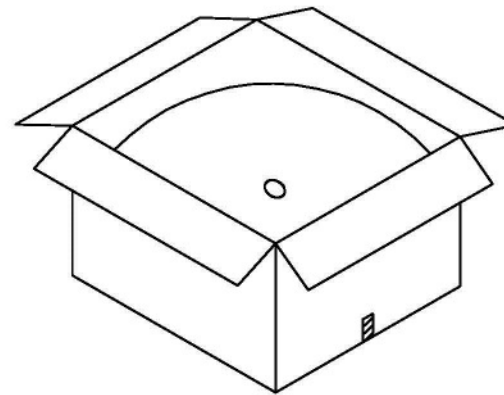
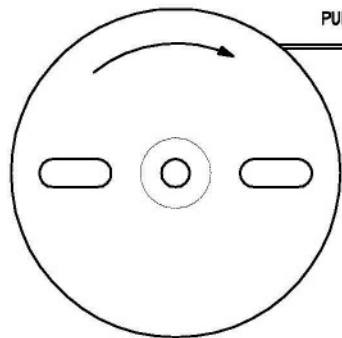


PCAKING MATERIAL

PART NAME	DIM(mm)
CARTON	470*470*210

PCAKING CAPACITY

PART NO.	PCS/RE	RE/BC	PCS/BC
TS1007EMIPF-08-*	5,000PCS/RE	3 RE/BC	15,000 PCS/BC
TS1007EMIPF-14-*	5,000PCS/RE	3 RE/BC	15,000 PCS/BC
TS1007EMIPF-20-*	5,000PCS/RE	3 RE/BC	15,000 PCS/BC
TS1007EMIPF-30-*	5,000PCS/RE	3 RE/BC	15,000 PCS/BC



Pin	DIM.(mm)	
	A	B
08	8.50	11.33
14	14.50	17.33
20	20.50	23.33
30	30.50	33.33

NOTES:

- MATERIAL: PHOSPHOR BRONZE, C5191R-H. t=0.15mm
- FINISH: AE TIN PLATED OVER NICKEL.
- PACKING: 5K/REEL
- ORDERING CODE : TS1007EMIPF-NP-*

F FRONT SHELL FINISH SEE NOTE 2
 PIN NO.

TOLERANCE	
X.	±0.30
X.X	±0.25
X.XX	±0.15
X.XXX	±0.08
ANGULA	3'

UNLESS OTHERWISE SPECIFIED

APPROVALS	DATE
DRAWN <i>Fiao Lei</i>	11/07/12'
CHK'D <i>Paul Chen</i>	11/07/12'
APP'D <i>Wayne Lai</i>	11/07/12'

All Connectors
 www.allconnectors.de
 Tel.: 0049 711 7009503
 70794 Fildefstadt - Germany
 info@allconnectors.de
 Fax: 0049 711 7009504
 Kettnerstr. 25

PART NO. TS1007HNO-NP-*--NL	TITLE: WIRE TO BOARD, PLUG, PITCH 1.00mm, SOLDER TYPE, ASSEMBLY
DRAWING NO. EN-TS1007HNO-NP-*--NL	

UNITS mm SCALE 1:1 SIZE: A4 SHEET 3 OF 3 REV. A/2