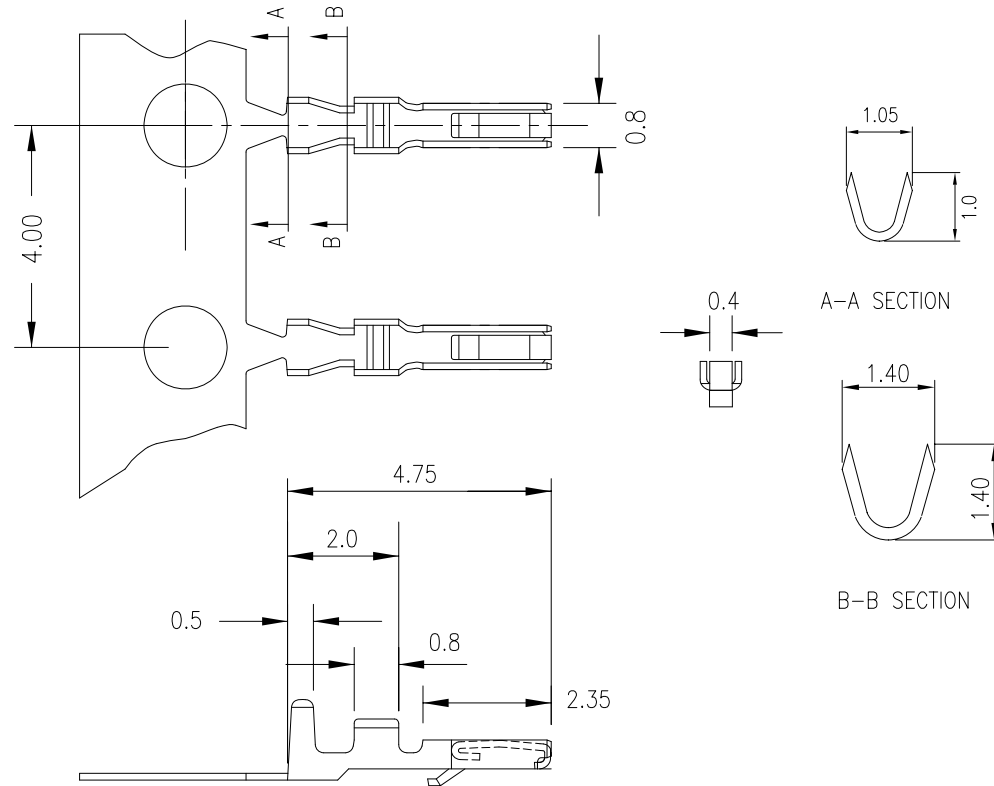


■ TERMINAL

- Material: Phos. bronze
- Thickness: 0.12mm
- Plating: Tin plated
- Wire Range: Suitable for AWG#28~32
- Insulation O.D: 0.75mm (max)
- Q'TY: 15,000 pcs/reel

SHL-T-28-LF
LEADFREE
RoHS Compliant



Ordering Information

Part No.	Wire Range	Insulation O.D.	Material	Finish	Q'ty/reel	Note
SHL-T-28	AWG #28~32	0.75mm (max)	Phos. bronze	Tin plated	15,000 pcs	

Allconnectors

www.allconnectors.eu | info@allconnectors.eu
Tel. +49 (0)711 / 358 110 20 | Fax +49 (0)711 / 358 110 25

PART NO. SHL-T-28

DWG NO. SHL-T-28

FILE NO.

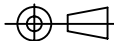
UNIT / mm

SCALE 1:1

CHECKED BY CY

DRAWING BY

PROJECTION



TOLERANCES ARE

.X ± 0.2
.XX ±
.XXX ±
AWG

DESCRIPTION:

AREA

REVISIONS

HK

DATE