

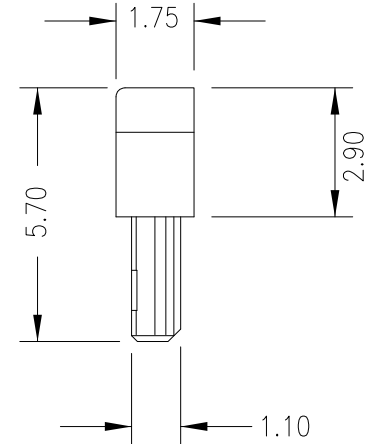
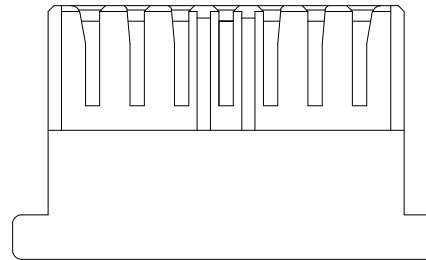
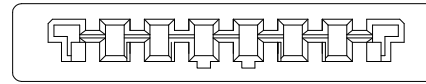
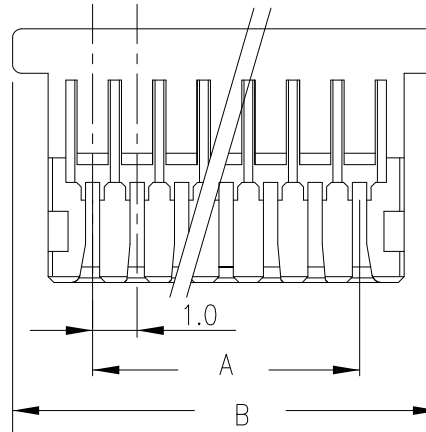
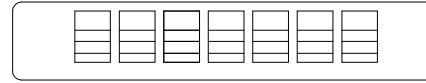
■ HOUSING

- Material: Nylon 66, UL94-V0
- Pitch: 1.0mm (.039")
- Poles: 2 ~ 30
- Q'TY: 1,000pcs/bag

Ordering Information and Dimensions

CIRCUITS	PART NO.	DIMENSION	
		A	B
2	SHL-H-02	1.0	4.6
6	SHL-H-06	5.0	8.6
* 7	SHL-H-07	6.0	9.6
14	SHL-H-14	13.0	16.6
16	SHL-H-16	15.0	18.6

CIRCUITS	PART NO.	DIMENSION	
		A	B
* 20	SHL-H-20	19.0	22.6
22	SHL-H-22	21.0	24.6
26	SHL-H-26	25.0	28.6
30	SHL-H-30	29.0	32.6



SHL-H-xx-LF
LEADFREE
RoHS Compliant

Allconnectors

www.allconnectors.eu | info@allconnectors.eu
Tel. +49 (0)711 / 358 110 20 | Fax +49 (0)711 / 358 110 25

PART NO. SHL-H-xx

DWG NO. SHL-H-xx

FILE NO.

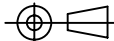
UNIT / mm

SCALE 1:1

CHECKED BY CY

DRAWING BY

PROJECTION



TOLERANCES ARE

.X ± 0.2
.XX ±
.XXX ±
AWG

DESCRIPTION:

AREA

REVISIONS

HK

DATE