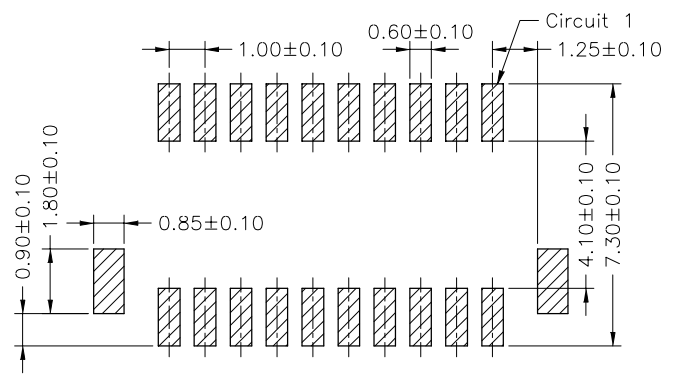
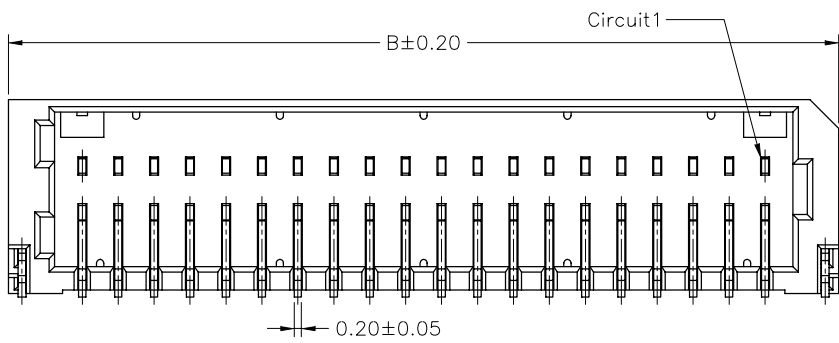
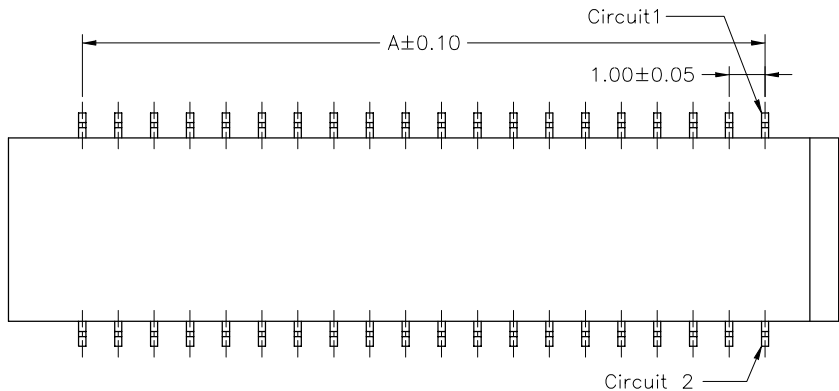
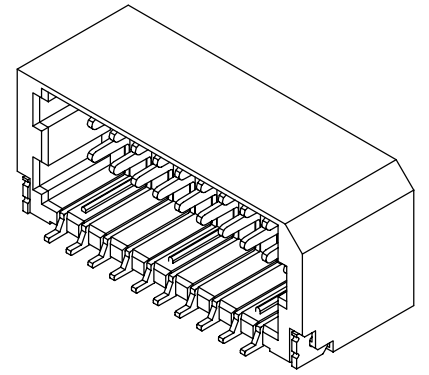


1 2 3 4 5 6 7 8 9 0

J  
I  
H  
G  
F  
E  
D  
C  
B  
A



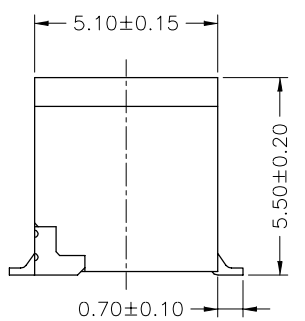
PCB LAYOUT



**SPECIFICATIONS**  
 Current Rating: 1A AC,DC  
 Voltage Rating: 50V AC,DC  
 Temperature Range: -25°C ~ +85°C  
 Contact Resistance: 20mΩ Max.  
 Insulation Resistance: 500MΩ Min.  
 Withstanding Voltage: 500V AC/minute  
 Pin Material: Brass/Gold-plated Or Tin Plated  
 Solder Tabs: Brass/Tin-plated  
 Material: Nylon 6T,UL94V-0

Ordering Information & Dimensions

PART NO.	Dimensions	
	A	B
SHD-Wx-20	9.00	13.10
SHD-Wx-30	14.00	18.10
SHD-Wx-40	19.00	23.10
SHD-Wx-50	24.00	28.10



SHD-Wx-xx-LF  
 LEADFREE  
 BLANK:TIN/PLATED  
 G:GOLD/PLATED

RoHS Compliant

**All Connectors**  
 www.allconnectors.eu | info@allconnectors.eu  
 Tel. +49 (0)711 / 358 110 20 | Fax +49 (0)711 / 358 110 25

PART NO. SHD-Wx-xx	
DWG NO. SHD-Wx-xx	
FILE NO.	CHECKED BY CY
UNIT / mm	DRAWING BY
SCALE 1:1	PROJECTION

TOLERANCES ARE
.X ± 0.2
.XX ±
.XXX ±
AWG

DESCRIPTION:	1.0mm 90° SMT TYPE DUAL ROW			
AREA	REVISIONS	HK	DATE	