

NOTES:

1. MATERIAL: INSULATOR: LCP UL94V-0
CONTACT: PHOSPHOR BRONZE
SHELL: Ni-Ag ALLOY
2. CONTACT FINISH: 1. 5u" MIN. GOLD ON CONTACT. TIN ON SOLDER TAIL. BOTH OVER NICKEL.(LEADFREE MATTE)
2. 15u" MIN. GOLD ON CONTACT. TIN ON SOLDER TAIL. BOTH OVER NICKEL.(LEADFREE MATTE)
3. IMPORTANT AREA FLASH: 0.05mm MAX. DAMAGE: NA. DEFAEME: NA.
4. PACKING TYPE: 1.REEL 2. TRAY
5. INSPECTING POINT

SOLDER AREA 0.10

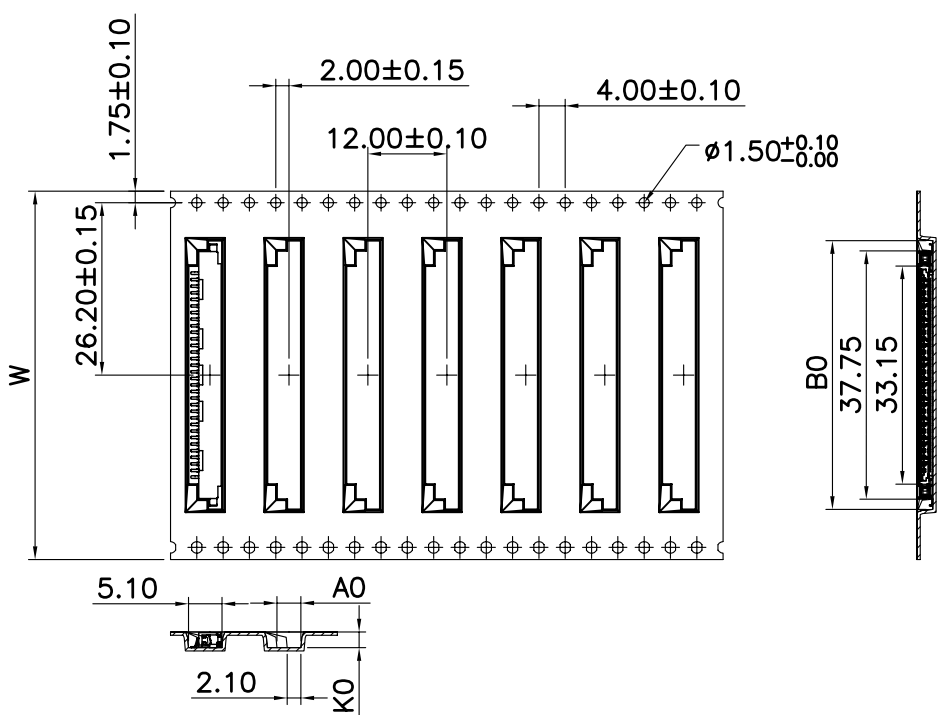
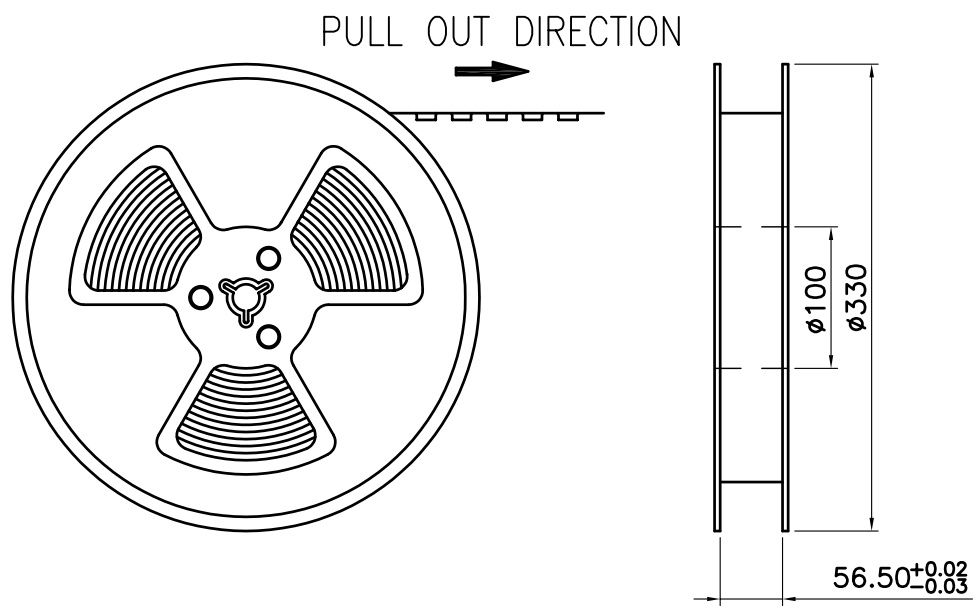
FIX-WX23AR-30-LF
LEADFREE

RoHS Compliant

PART NO. FIX-WX23AR-30		CHECKED BY CY		TOLERANCES ARE .X ± 0.2 .XX ± 0.1 .XXX ± AWG	DESCRIP TION:			
DWG NO. FIX-WX23AR-30		DRAWING BY			AREA	REVISIONS	HK	DATE
FILE NO.		PROJECTION						
UNIT / mm	SCALE 1:1							

All connectors

www.allconnectors.eu | info@allconnectors.eu
Tel. +49 (0)711 / 358 110 20 | Fax +49 (0)711 / 358 110 25

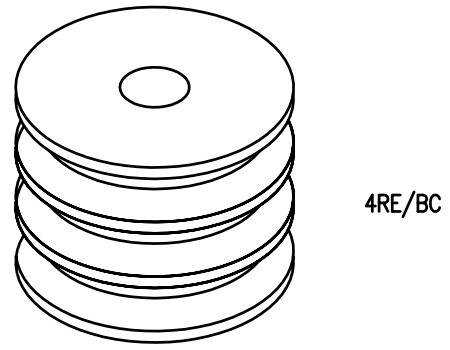


1. 10 sprocket hole pitch cumulative tolerance ± 0.20 .
2. Carrier camber is within 1 mm in 250 mm.
3. Material : Black Conductive Polystyrene Alloy
4. All dimensions meet EIA-481-C requirements.
5. Thickness : 0.30 ± 0.05 mm.
6. Component load per 13" reel : 2000 pcs.

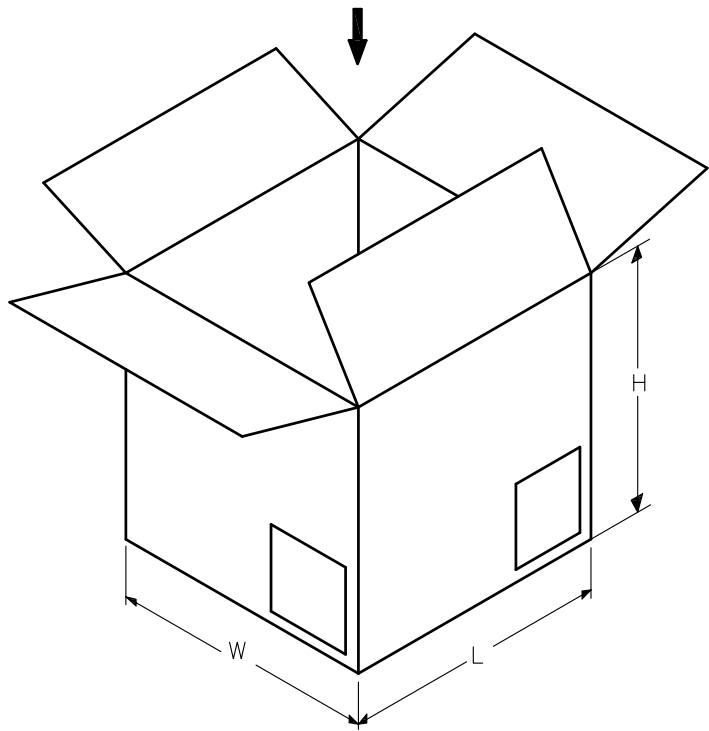
Patent No. 157713

W	56.00 \pm 0.30
A0	3.65 \pm 0.10
B0	40.85 \pm 0.10
K0	2.50 \pm 0.10

PART NO. FIX-WX23AR-30		CHECKED BY CY		TOLERANCES ARE .X \pm 0.2 .XX \pm 0.1 .XXX \pm AWG	DESCRIP TION:			
DWG NO. FIX-WX23AR-30		DRAWING BY			AREA	REVISIONS	HK	DATE
UNIT / mm	SCALE 1:1	PROJECTION						



4RE/BC



PACKING MATERIAL

PART NAME	DIM(mm)
REEL	330X56.5
BIG CRTON	350X350X340

PACKING CAPACITY

PART NO.	PCS/RE	RE/BC	PCS/BC
	2000PCS/RE	4 RE/BC	8000 PCS/BC

PART NO. FIX-WX23AR-30		CHECKED BY CY		TOLERANCES ARE .X ± 0.2 .XX ± 0.1 .XXX ± AWG	DESCRIP TION:			
DWG NO. FIX-WX23AR-30		DRAWING BY			AREA	REVISIONS	HK	DATE
UNIT / mm	SCALE 1 : 1	PROJECTION						