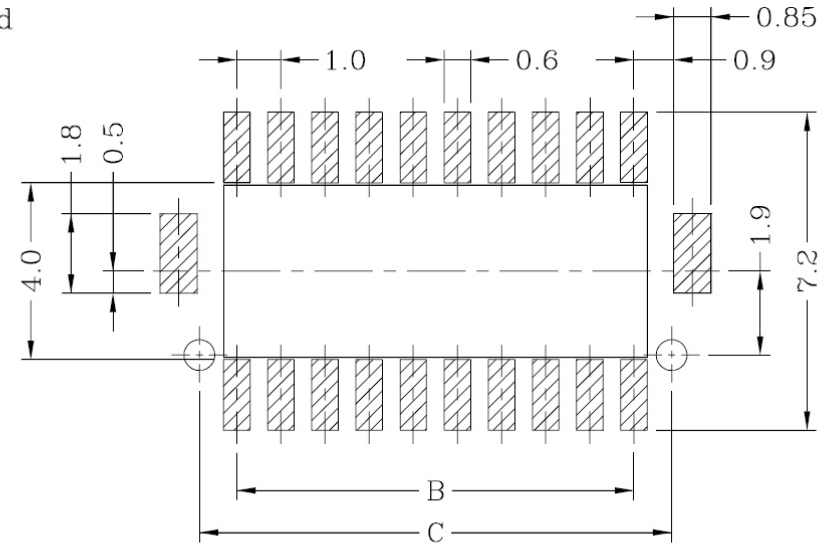
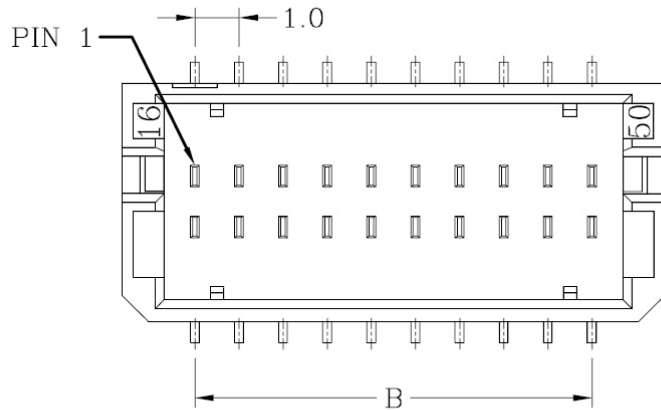
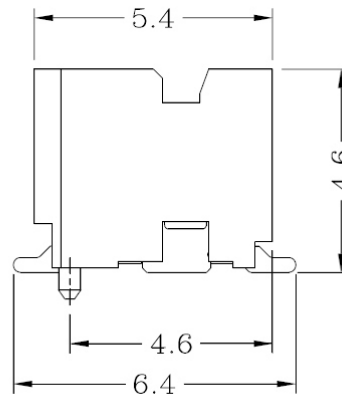
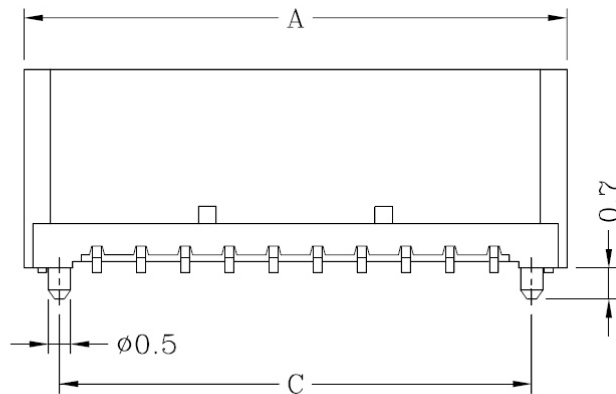


Features:

- \* Dual Row
- \* Available in 10, 20, 30, 40, 50 circuits
- \* Material: Nylon 6T UL 94V-0 (Milky Yellow)  
Contact Post: Phosphor Bronze, Gold Plated  
Solder Tab: 0.20mm<sup>t</sup> Brass, Tin Plated



P.C.B. LAYOUT



Dimensional & Ordering Information:

Circuits	Part No.	Dimensions			Pcs/Bag
		A	B	C	
10	<b>DF20-VP-10</b>	7.3	4.0	5.7	1000
20	<b>DF20-VP-20</b>	12.3	9.0	10.7	1000
30	<b>DF20-VP-30</b>	17.3	14.0	15.7	1000
40	<b>DF20-VP-40</b>	22.3	19.0	20.7	1000
50	<b>DF20-VP-50</b>	27.3	24.0	25.7	1000

**DF20-VP-xx-LF**

LEADFREE

**RoHS Compliant**

**Allconnectors**

www.allconnectors.eu | info@allconnectors.eu  
Tel. +49 (0)711 / 358 110 20 | Fax +49 (0)711 / 358 110 25

PART NO. **DF20-VP-xx**

DWG NO. **DF20-VP-xx**

FILE NO.

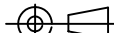
UNIT / mm

SCALE 1:1

CHECKED BY CY

DRAWING BY

PROJECTION



TOLERANCES ARE

.X ± 0.2  
.XX ±  
.XXX ±  
AWG

DESCRIPTION:

AREA

REVISIONS

HK

DATE