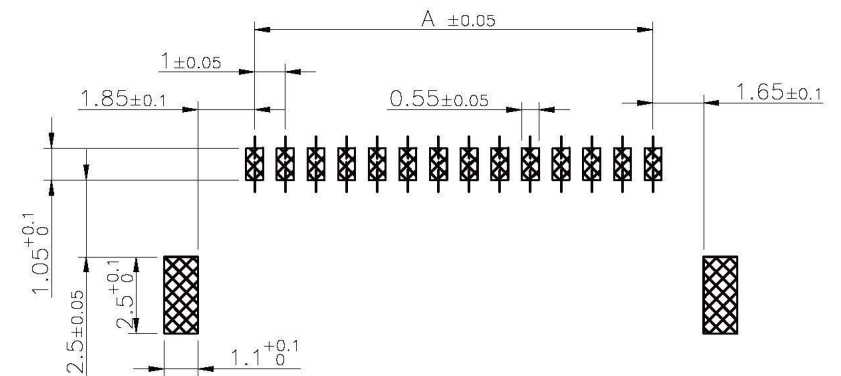


**NOTES:**

1. INSULATOR: GLASS FILLED NYLON 9T, UL94V-0
2. CONTACT: COPPER ALLOY
3. CONTACT FINISH: 1. GOLD FLASH ON CONTACT AREA  
TIN/LEAD ON SOLDER AREA, BOTH OVER NICKEL  
2. GOLD FLASH ON CONTACT OVER NICKEL (LEADFREE)
4. SHELL: 0. COPPER ALLOY, GOLD FLASH ON SOLDER AREA OVER NICKEL  
1. Cu-Ni-Zn ALLOY
5. PACKING TYPE: SPACE: TUBE  
R: REEL
6. DIMENSIONS

30	DF19-WXR-30	29.00	33.55	33.95
20	DF19-WXR-20	19.00	23.55	23.95
14	DF19-WXR-14	13.00	17.55	17.95
08	DF19-WXR-08	7.00	11.55	11.95
CKT.	PART NO.	A	B	C



**RECOMMENDED PCB LAYOUT(TOP VIEW)**

**RoHS Compliant**

**All Connectors**

www.allconnectors.de info@allconnectors.de  
Tel.: 0049 711 7009503 Fax: 0049 711 7009504  
70794 Filderstadt - Germany Kettenerstr. 25

**TOLERANCES ARE**

X ±  
X ±  
.XX ±  
XXX ±  
ANG ±

DRAWING BY CY  
CHECKED BY GENIUS

UNIT/ mm SCALE 1:1

DATE

SIZE A4 PROJECTION

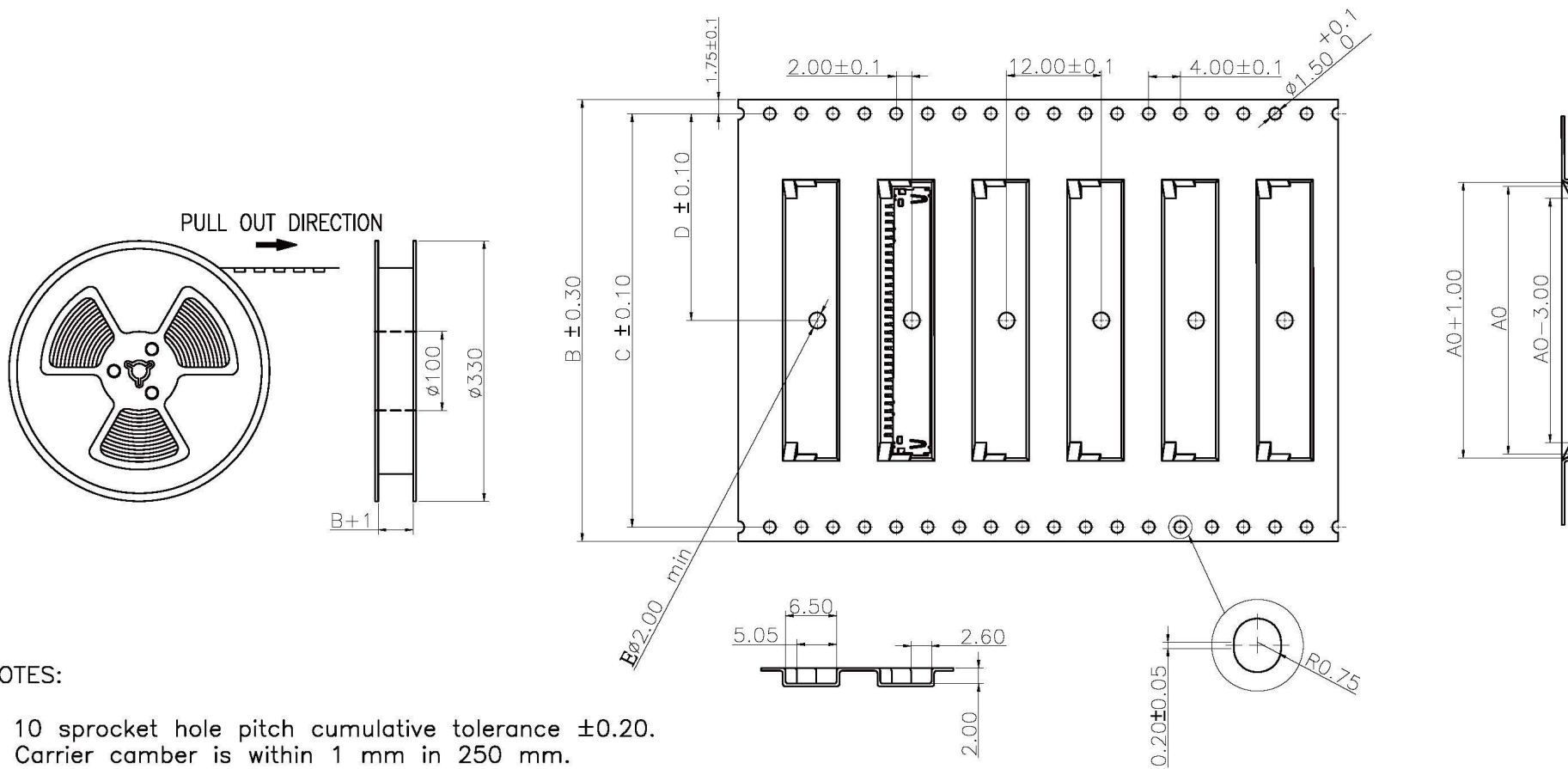


**ORDER INFORMATION**

**DF19-WXR-xx-LF**

SERIES REEL 08~30WAY LEADFREE  
NON POST  
90°SMT

**DESCRIPTION: 1mm PITCH LOW PROFILE CONNECTOR, BOARD MOUNT (ON-BOARD TYPE)**



**NOTES:**

1. 10 sprocket hole pitch cumulative tolerance  $\pm 0.20$ .
2. Carrier camber is within 1 mm in 250 mm.
3. Material :Black Conductive Polystyrene Alloy (UP-5000).
4. All dimensions meet EIA-481-B requirements.
5. Thickness:  $0.35 \pm 0.05$ mm.
6. Packing length per 22" reel: 92.5 Meters.
7. Component load per 13" reel: 2500 pcs.

DF19-WXR-30	30	33.95	56.00	52.40	26.20
DF19-WXR-20	20	23.95	44.00	40.40	20.20
DF19-WXR-14	14	17.95	32.00	28.40	14.20
Part NO .	CKT	A	B	C	D

**All Connectors**

www.allconnectors.de  
 Tel.: 0049 711 7009503  
 70794 Filderstadt - Germany

info@allconnectors.de  
 Fax: 0049 711 7009504  
 Kettnerstr. 25

**RoHS Compliant**

DRAWING BY CY  
 CHECKED BY GENIUS  
 UNIT/ mm SCALE 1:1  
 DATE  
 SIZE A4

TOLERANCES ARE

X ±  
 .X ±  
 .XX ±  
 .XXX ±  
 ANG ±

PROJECTION

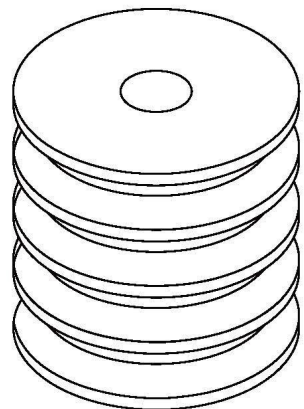


ORDER INFORMATION

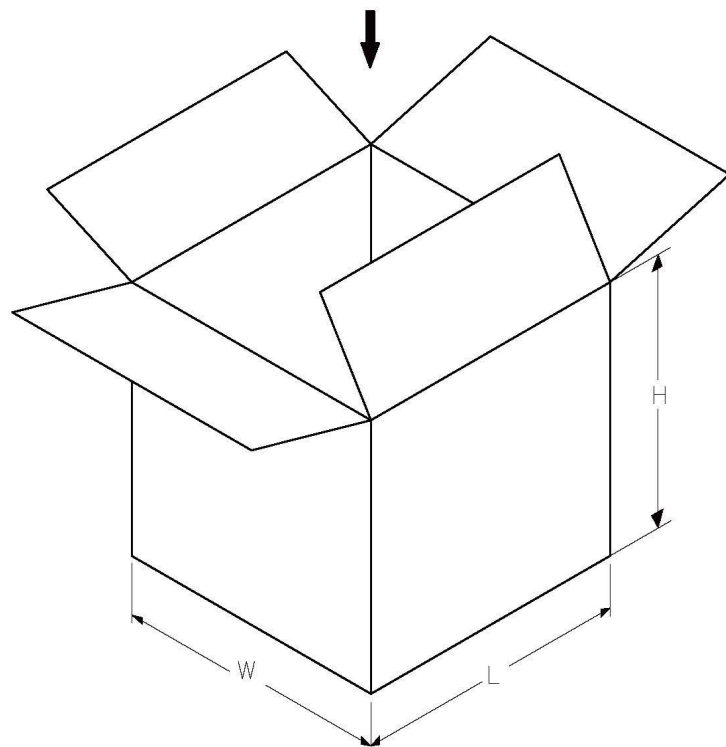
DF19-WXR-xx-LF



DESCRIPTION:



6RE/BC & 5RE/BC



PACKING MATERIAL

PART NAME	DIM(mm)
REEL	ø300*(B+1)
BIG CARTON	350X350X340

PACKING CAPACITY

PART NO.	PCS/RE	RE/BC	PCS/BC
DF19-WXR-20	2500PCS/RE	6 RE/BC	15K PCS/BC
DF19-WXR-30	2500PCS/RE	5 RE/BC	12.5K PCS/BC

RoHS Compliant

**All Connectors**

www.allconnectors.de  
 Tel.: 0049 711 7009503  
 70794 Filderstadt - Germany

info@allconnectors.de  
 Fax: 0049 711 7009504  
 Kettenerstr. 25

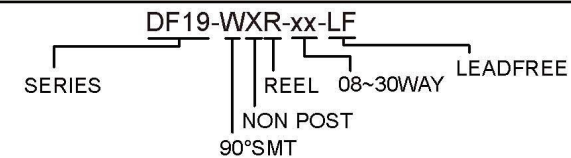
DRAWING BY CY	
CHECKED BY GENIUS	
UNIT / mm	SCALE 1 : 1
DATE	
SIZE A4	PJECTION

TOLERANCES ARE

X ±  
 .X ±  
 .XX ±  
 .XXX ±  
 ANG ±



ORDER INFORMATION



DESCRIPTION: Right Angle Pin Header SMT TAPE RELL