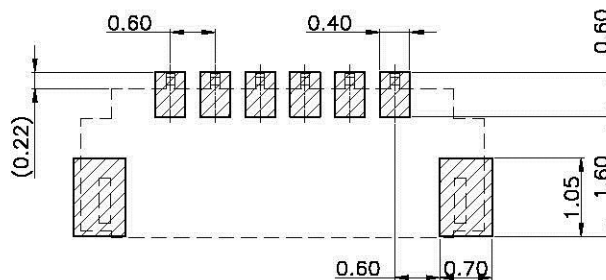
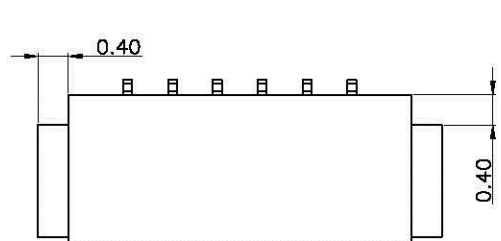


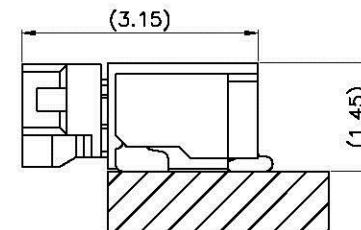
This document is the property of Targ Yu Enterprise and is delivered on the express condition that it is not to be disclosed, reproduced or used, in whole or in part, for manufacture or sale by anyone other than Targ Yu Enterprise without its prior consent, and that no right is granted to disclose or to use any information in this document.

Engineer Drawing

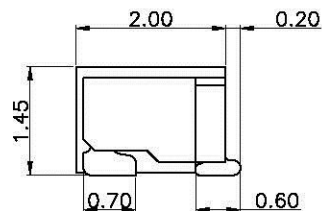
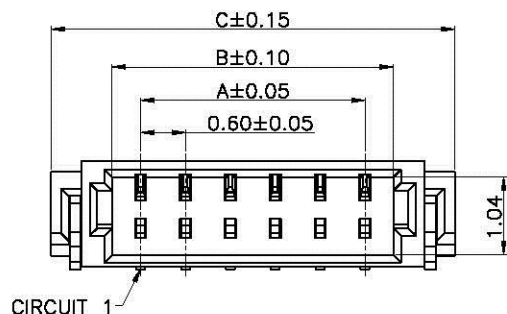
REV	ECN NO.	DESCRIPTION	DATE	APP'D
A/0		NEW DRAWING	12/18/10	Paul
A/1		Part No. Modify	11/15/11	Paul
A/2		AMEND PACKING SPECIFICATION	03/25/13	Paul
A/3		UPDATE LAYOUT	08/02/13	Paul



TOLERANCE: ±0.05
RECOMMENDED P.C.B. Layout
TOP VIEW



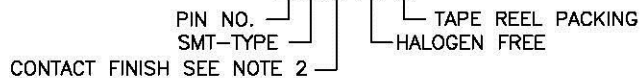
Mating Condition (REF.)



PIN	DIM. (mm)			PIN	DIM. (mm)		
	A	B	C		A	B	C
02	0.60	1.36	3.00	12	6.60	7.36	9.00
03	1.20	1.96	3.60	14	7.80	8.56	10.20
04	1.80	2.56	4.20	15	8.40	9.16	10.80
05	2.40	3.16	4.80	16	9.00	9.76	11.40
06	3.00	3.76	5.40	17	9.60	10.36	12.00
08	4.20	4.96	6.60	20	11.40	12.16	13.80
10	5.40	6.16	7.80	22	12.60	13.36	15.00

NOTES:

- MATERIAL:
INSULATION(HALOGEN FREE): LCP, UL94V-0 (BLACK)
CONTACT: COPPER ALLOY, t=0.12mm
SOLDER TAB: COPPER ALLOY, t=0.15mm / FINISH REFERENCE CONTACT
- CONTACT FINISH: (VOID)--BRIGHT-TIN PLATED OVER NICKEL
GO--GOLD FLASH OVER NICKEL
- MATES WITH: TF0605 SERIES HOUSING
- PACKING: 3500 PCS/TAPE REEL
- ORDERING CODE: TF0605WNR-NPS-*--NL-A



TOLERANCE		APPROVALS		DATE
X.X	±0.25	DRAWN	<i>Iwen Kong</i>	08/02/13'
X.XX	±0.15	CHK'D	<i>Paul Chen</i>	08/02/13'
ANGULA	3'	APP'D	<i>Wayne Lai</i>	08/02/13'
UNLESS OTHERWISE SPECIFIED		UNITS mm	SCALE 1:1	SIZE: A4

All Connectors

www.allconnectors.de
tel: 0049 331 200505
20138 Ullersdorf - Germany

info@allconnectors.de
fax: 0049 331 200504
Kestemeyerstr. 25

PART NO.
TF0605WNR-NPS-*--NL-A

TITLE:
WIRE TO BOARD, WAFER,
PITCH 0.60mm, SMT TYPE,
ASSEMBLY

DRAWING NO.
EN-TF0605WNR-NPS-*--NL-A

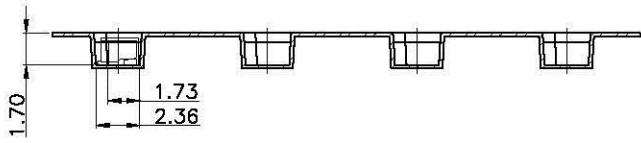
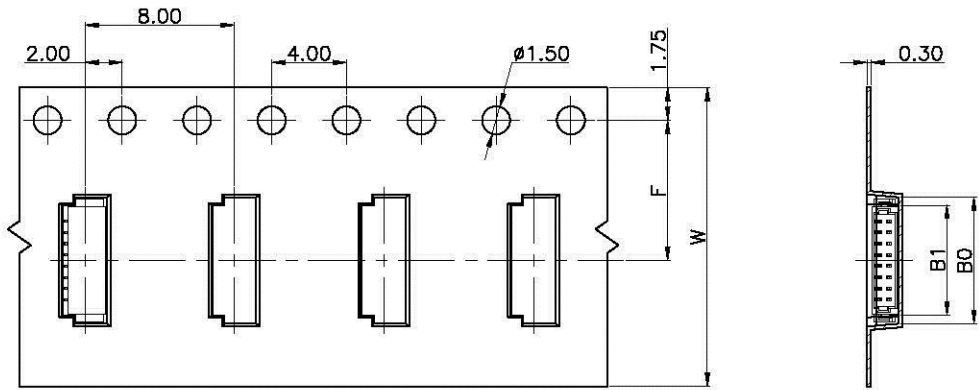
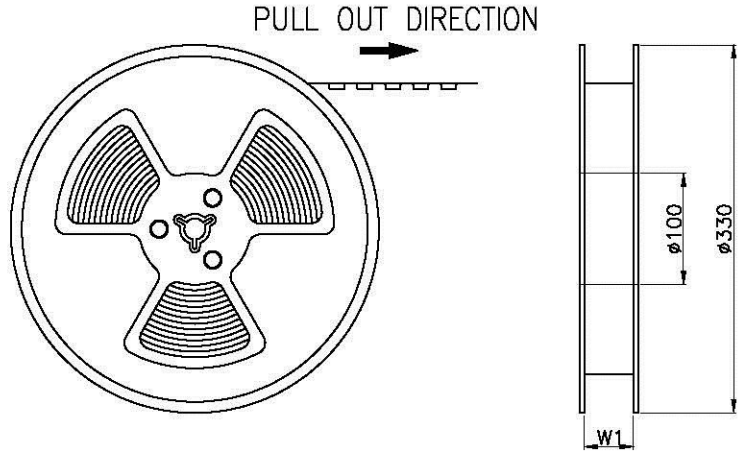
SHEET 1 OF 3

REV. A/3

This document is the property of Targ Yu Enterprise and is delivered on the express condition that it is not to be disclosed, reproduced or used, in whole or in part, for manufacture or sale by anyone other than Targ Yu Enterprise without its prior consent, and that no right is granted to disclose or to use any information in this document.

Engineer Drawing

REV	ECN NO.	DESCRIPTION	DATE	APP'D
A/0		NEW DRAWING	12/18/10	Paul
A/1		Part No. Modify	11/15/11	Paul
A/2		AMEND PACKING SPECIFICATION	03/25/13	Paul
A/3		UPDATE LAYOUT	08/02/13	Paul



PIN	DIM. (mm)					PIN	DIM. (mm)				
	B0	B1	F	W	W1		B0	B1	F	W	W1
02	3.16	2.30	7.50	16.00	16.50	12	9.16	8.30	7.50	16.00	16.50
03	3.76	2.90	7.50	16.00	16.50	14	10.36	9.50	7.50	16.00	16.50
04	4.36	3.50	7.50	16.00	16.50	15	10.96	10.10	7.50	16.00	16.50
05	4.96	4.10	7.50	16.00	16.50	16	11.56	10.70	11.50	24.00	25.50
06	5.56	4.70	7.50	16.00	16.50	17	12.16	11.30	11.50	24.00	25.50
08	6.76	5.90	7.50	16.00	16.50	20	13.96	13.10	11.50	24.00	25.50
10	7.96	7.10	7.50	16.00	16.50	22	15.16	14.30	11.50	24.00	25.50

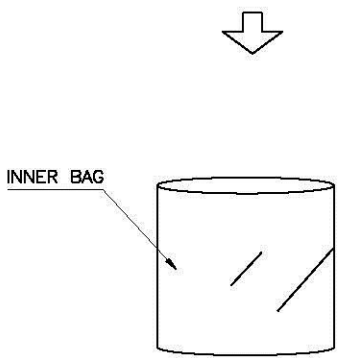
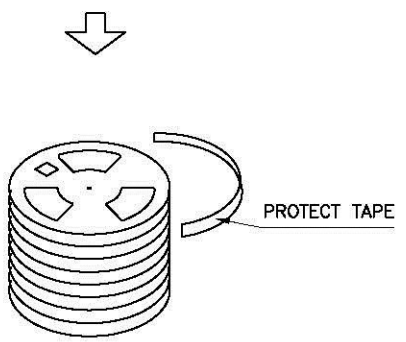
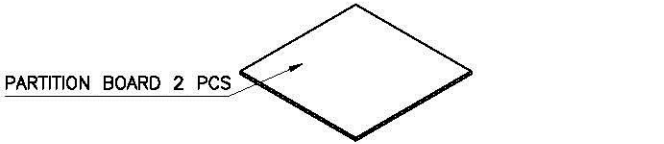
- NOTES:
- 10 SPROCKET HOLE PITCH CUMULATIVE TOLERANCE ± 0.20 .
 - CARRIER CAMBER IS WITHIN 1 mm IN 250 mm.
 - MATERIAL : BLACK CONDUCTIVE POLYSTYRENE ALLOY.(UP-5000)
 - ALL DIMENSIONS MEET EIA-481-C REQUIREMENTS.
 - THICKNESS : 0.30 ± 0.05 mm.
 - COMPONENT LOAD PER 14.2" REEL : 3,500 PCS.

TOLERANCE	APPROVALS		DATE						
	X.X	± 0.25	DRAWN			Wayne Kong	08/02/13'		
			CHK'D	Paul Chen	08/02/13'	www.allconnectors.de Tel: 0049 711 2062005 70754 Hildersdorf Germany	Info@allconnectors.de Fax: 0049 711 2062004 Hildersdorf, DE		
	X.XX	± 0.15	APP'D	Wayne Lai	08/02/13'	PART NO. TF0605WNR-NPS-*--NL-A	TITLE: WIRE TO BOARD, WAFER, PITCH 0.60mm, SMT TYPE, ASSEMBLY		
ANGULA	3'	UNITS	mm	SCALE	1:1	SIZE		A4	SHEET 2 OF 3

This document is the property of Targ Yu Enterprise and is delivered on the express condition that it is not to be disclosed, reproduced or used, in whole or in part, for manufacture or sale by anyone other than Targ Yu Enterprise without its prior consent, and that no right is granted to disclose or to use any information in this document.

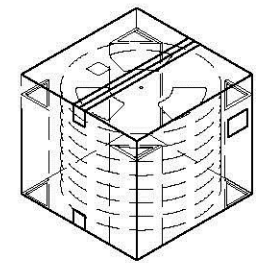
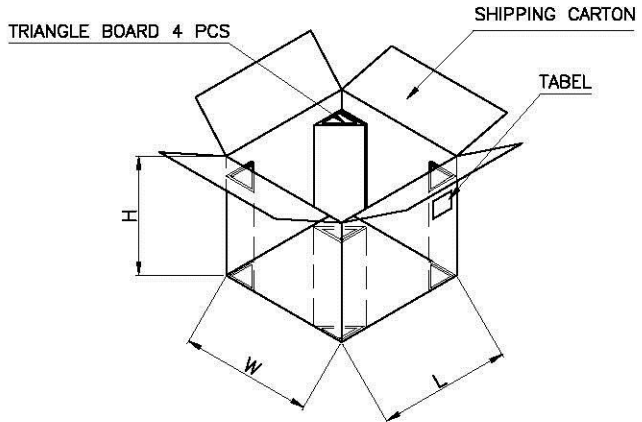
Engineer Drawing

REV	ECN NO.	DESCRIPTION	DATE	APP'D
A/0		NEW DRAWING	12/18/10	Paul
A/1		Part No. Modify	11/15/11	Paul
A/2		AMEND PACKING SPECIFICATION	03/25/13	Paul
A/3		UPDATE LAYOUT	08/02/13	Paul



PACKING MATERIAL	
PART NAME	DIM. (mm)
REEL	Ø330*(W+0.5)
CARTON	350*350*340

PACKING CAPACITY			
PART NO.	PCS/RE	RE/BC	PCS/BC
TF0605WNR-02S-*-NL-A	3,500 PCS/RE	14 RE/BC	49,000 PCS/BC
TF0605WNR-03S-*-NL-A	3,500 PCS/RE	14 RE/BC	49,000 PCS/BC
TF0605WNR-04S-*-NL-A	3,500 PCS/RE	14 RE/BC	49,000 PCS/BC
TF0605WNR-05S-*-NL-A	3,500 PCS/RE	14 RE/BC	49,000 PCS/BC
TF0605WNR-06S-*-NL-A	3,500 PCS/RE	14 RE/BC	49,000 PCS/BC
TF0605WNR-08S-*-NL-A	3,500 PCS/RE	14 RE/BC	49,000 PCS/BC
TF0605WNR-10S-*-NL-A	3,500 PCS/RE	14 RE/BC	49,000 PCS/BC
TF0605WNR-12S-*-NL-A	3,500 PCS/RE	14 RE/BC	49,000 PCS/BC
TF0605WNR-14S-*-NL-A	3,500 PCS/RE	14 RE/BC	49,000 PCS/BC
TF0605WNR-15S-*-NL-A	3,500 PCS/RE	14 RE/BC	49,000 PCS/BC
TF0605WNR-16S-*-NL-A	3,500 PCS/RE	10 RE/BC	35,000 PCS/BC
TF0605WNR-17S-*-NL-A	3,500 PCS/RE	10 RE/BC	35,000 PCS/BC
TF0605WNR-20S-*-NL-A	3,500 PCS/RE	10 RE/BC	35,000 PCS/BC
TF0605WNR-22S-*-NL-A	3,500 PCS/RE	10 RE/BC	35,000 PCS/BC



TOLERANCE		APPROVALS		DATE	All Connectors	
X.X	±0.25	DRAWN	<i>Iwan Kong</i>	08/02/13'	www.allconnectors.de Tel: 0049 711 7005500 70704 Milderstadt - Germany	info@allconnectors.de Fax: 0049 711 7005504 Kettelestr. 25
X.XX	±0.15	CHK'D	<i>Paul Chen</i>	08/02/13'	PART NO.	TITLE: WIRE TO BOARD, WAFER, PITCH 0.60mm, SMT TYPE, ASSEMBLY
ANGULA	3'	APP'D	<i>Wayne Lai</i>	08/02/13'	TF0605WNR-NPS-*-NL-A	
UNLESS OTHERWISE SPECIFIED		UNITS mm	SCALE 1:1	SIZE: A4	DRAWING NO.	REV. A/3
					EN-TF0605WNR-NPS-*-NL-A	SHEET 3 OF 3