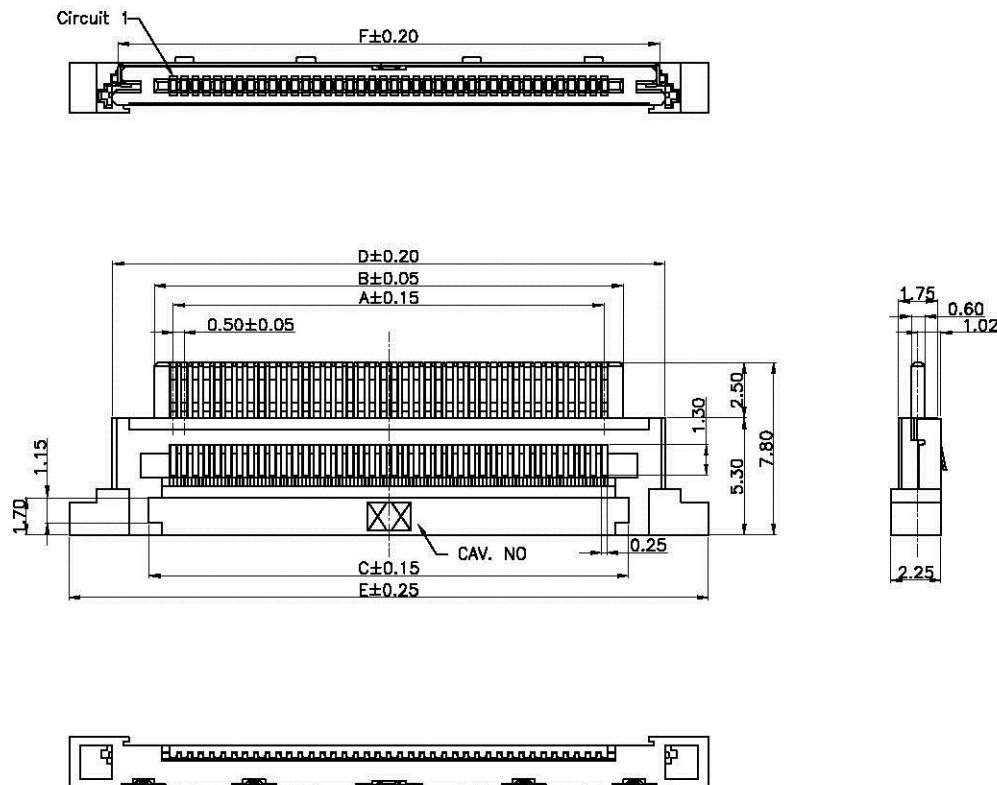


This document is the property of Targ Yu Enterprise and is delivered on the express condition that it is not to be disclosed, reproduced or used, in whole or in part, for manufacture or sale by anyone other than Targ Yu Enterprise without its prior consent, and that no right is granted to disclose or to use any information in this document.

Engineer Drawing

REV	ECN NO.	DESCRIPTION	DATE	APP'D
A/0		RELEASE TO PRODUCTION	10/30/09	Paul
A/1		MODIFY PACKAGING QUANTITY	11/14/12	Paul



NOTES:

- MATERIAL**
INSULATOR: LCP, UL94V-0 (CREAM)
CONTACT: PHOSPHOR BRONZE
REAR SHELL: PHOSPHOR BRONZE/TIN PLATED
- CONTACT FINISH :** G0 GOLD FLASH OVER NICKEL
G3 3u" GOLD FLASH OVER NICKEL.
G5 5u" GOLD FLASH OVER NICKEL.
- MATES WITH:** TS0506 SERIES WAFER
- ORDERING CODE:** TS0506HNO-NP-*--NL

PIN NO. _____ NL HALOGEN FREE
CONTACT FINISH
SEE NOTE 2

TOLERANCE	APPROVALS	DATE
X. ±0.30	DRAWN <i>Fluo Lot</i>	11/14/12'
X.X ±0.25	CHK'D <i>Paul Chen</i>	11/14/12'
X.XX ±0.15	APP'D <i>Wayne Lot</i>	11/14/12'
X.XXX ±0.08		
ANGULA 3'		
UNLESS OTHERWISE SPECIFIED	UNITS mm	SCALE 1:1

Pin	DIM:(mm)					
	A	B	C	D	E	F
20	9.50	11.20	11.70	15.00	18.90	14.50
30	14.50	16.20	16.70	20.00	23.90	19.50
40	19.50	21.20	21.70	25.00	28.90	24.50
50	24.50	26.20	26.70	30.00	33.90	29.50

All Connectors

www.allconnectors.de
Tel.: 0049 711 7009508
Mittelstraße 10, 42699 Solingen, Germany

Info@allconnectors.de
Fax: 0049 711 7009504
Kettnerstr. 10

PART NO. TS0506HNO-NP-*--NL
DRAWING NO. EN-TS0506HNO-NP-*--NL

TITLE: LVDS, PLUG, PITCH 0.50mm, COAXIAL CABLE, SOLDER TYPE, ASSEMBLY

SHEET 1 OF 5

REV. A/1

This document is the property of Targ Yu Enterprise and is delivered on the express condition that it is not to be disclosed, reproduced or used, in whole or in part, for manufacture or sale by anyone other than Targ Yu Enterprise without its prior consent, and that no right is granted to disclose or to use any information in this document.

Engineer Drawing

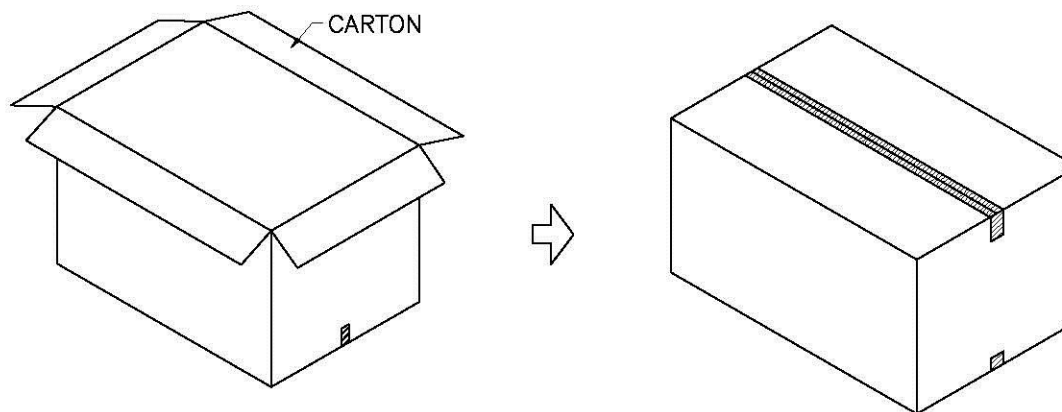
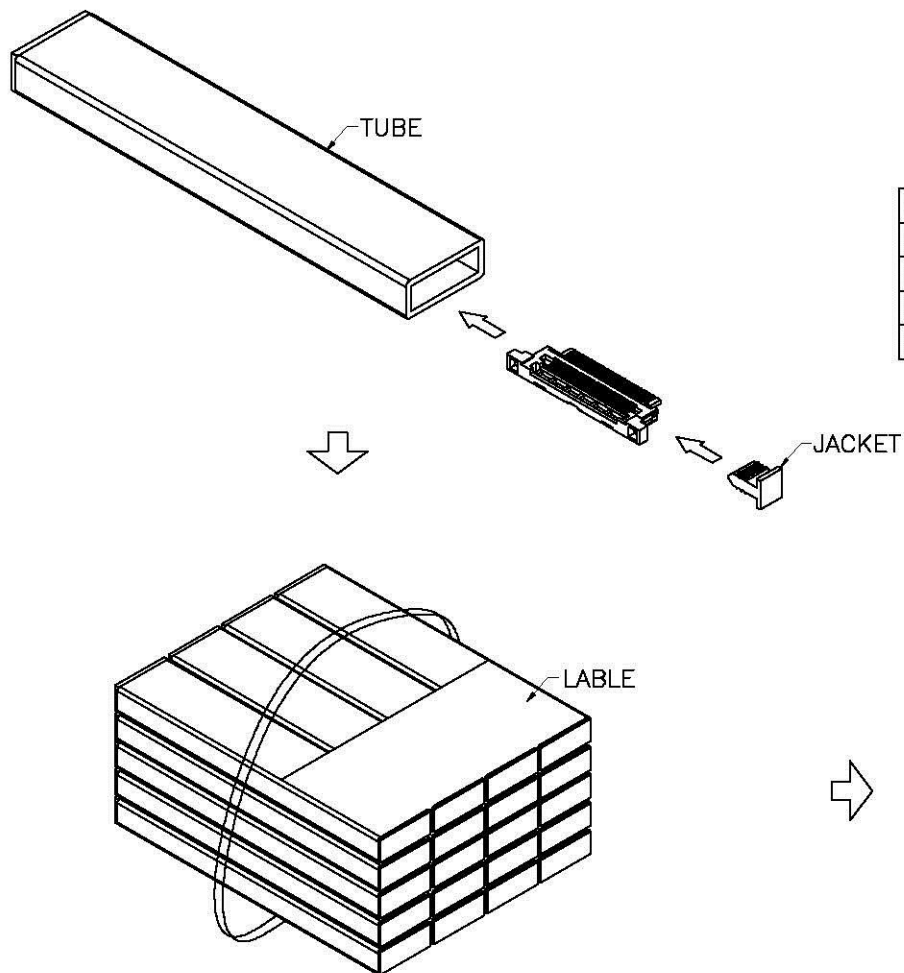
REV	ECN NO.	DESCRIPTION	DATE	APP'D
A/0		RELEASE TO PRODUCTION	10/30/09	Paul
A/1		MODIFY PACKAGING QUANTITY	11/14/12	Paul

PACKING MATERIAL

PART NAME	DIM(mm)
CARTON	525*210*170

PACKING CAPACITY

PART NO.	PCS/TUBE	TUBE/TIE	PCS/BC
TS0506HNO-20-*-NL	25 PCS/RE	20 TUBE/BC	15,000 PCS/BC
TS0506HNO-30-*-NL	19 PCS/RE	20 TUBE/BC	11,400 PCS/BC
TS0506HNO-40-*-NL	16 PCS/RE	20 TUBE/BC	9,600 PCS/BC
TS0506HNO-50-*-NL	14 PCS/RE	20 TUBE/BC	8,400 PCS/BC



TOLERANCE		APPROVALS		DATE	All Connectors	
X.	±0.30	DRAWN	<i>Fiao Lei</i>	11/14/12'	www.allconnectors.cc Tel.: 0049 711 7009503 70794 Filderstadt - Germany	
X.X	±0.25	CHK'D	<i>Paul Chen</i>	11/14/12'	info@allconnectors.cc Fax: 0049 711 7005504 Kettnerstr. 25	
X.XX	±0.15	APP'D	<i>Wayne Lai</i>	11/14/12'	PART NO. TS0506HNO-NP-*-NL	
X.XXX	±0.08				DRAWING NO. EN-TS0506HNO-NP-*-NL	
ANGULA	3'				TITLE: LVDS, PLUG, PITCH 0.50mm, COAXIAL CABLE, SOLDER TYPE, ASSEMBLY	
UNLESS OTHERWISE SPECIFIED		UNITS mm	SCALE 1:1	SIZE: A4	SHEET 2 OF 5	

REV. A/1

This document is the property of Targ Yu Enterprise and is delivered on the express condition that it is not to be disclosed, reproduced or used, in whole or in part, for manufacture or sale by anyone other than Targ Yu Enterprise without its prior consent, and that no right is granted to disclose or to use any information in this document.

Engineer Drawing

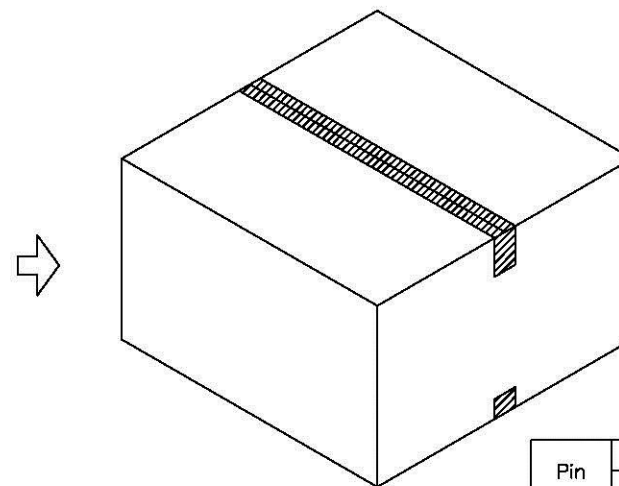
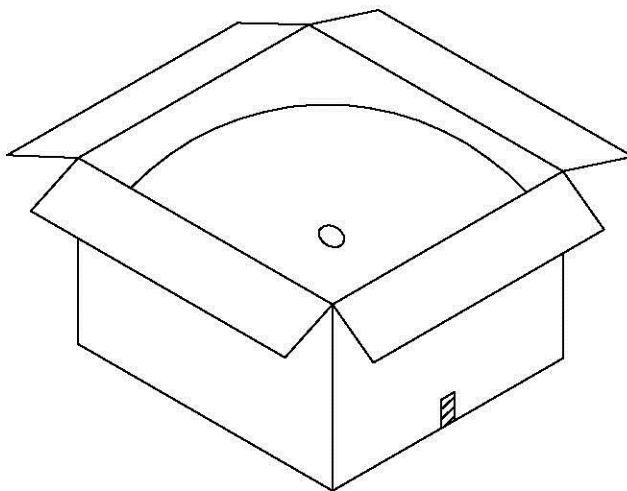
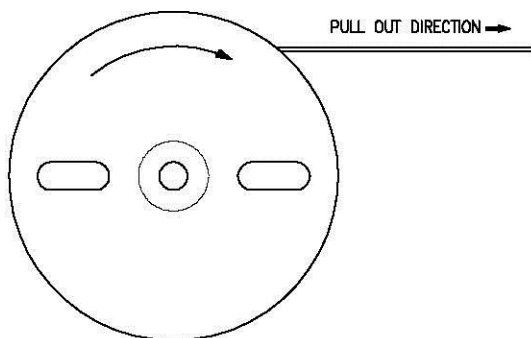
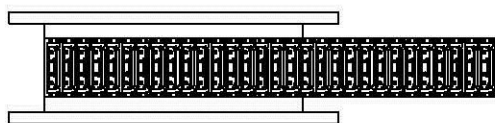
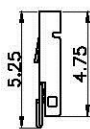
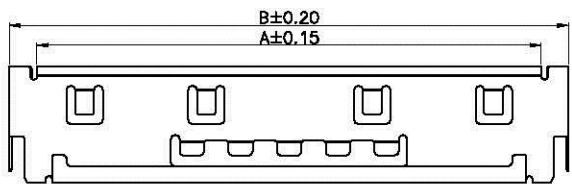
REV	ECN NO.	DESCRIPTION	DATE	APP'D
A/0		RELEASE TO PRODUCTION	10/30/09	Paul
A/1		MODIFY PACKAGING QUANTITY	11/14/12	Paul

PACKING MATERIAL

PART NAME	DIM(mm)
CARTON	470*470*210

PACKING CAPACITY

PART NO.	PCS/RE	RE/BC	PCS/BC
TS0506EMIPF-20-*	7,000PCS/RE	3 RE/BC	21,000 PCS/BC
TS0506EMIPF-30-*	7,000PCS/RE	3 RE/BC	21,000 PCS/BC
TS0506EMIPF-40-*	7,000PCS/RE	3 RE/BC	21,000 PCS/BC
TS0506EMIPF-50-*	7,000PCS/RE	3 RE/BC	21,000 PCS/BC



Pin	DIM:(mm)	
	A	B
20	12.80	15.30
30	17.80	20.30
40	22.80	25.30
50	27.80	30.30

NOTES:

- MATERIAL: PHOSPHOR BRONZE, C5191R-H. T=0.12mm
- FINISH: AE TIN OVER NICKEL.
- PACKING: 7K/REEL
- ORDERING CODE : TS0506EMIPF-NP-*

F FRONT SHELL ——— FINISH SEE NOTE 2
 ——— PIN NO.

TOLERANCE	
X.	±0.30
X.X	±0.25
X.XX	±0.15
X.XXX	±0.08
ANGULA	3°

UNLESS OTHERWISE SPECIFIED

APPROVALS		DATE
DRAWN	<i>Floer Lot</i>	11/14/12'
CHK'D	<i>Paul Chen</i>	11/14/12'
APP'D	<i>Wayne Lot</i>	11/14/12'
UNITS	mm	SCALE 1:1

All Connectors

www.allconnectors.com
 Tel: 0049 211 2009508
 Fax: 0049 211 2009504
 Kettenerstr. 25

Part No. TS0506HNO-NP-*--NL
 Drawing No. EN-TS0506HNO-NP-*--NL

TITLE: LVDS, PLUG, PITCH 0.50mm, COAXIAL CABLE, SOLDER TYPE, ASSEMBLY

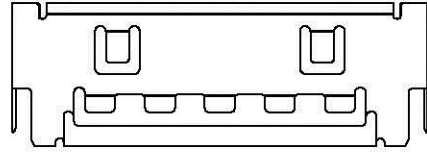
SHEET 3 OF 5

REV. A/1

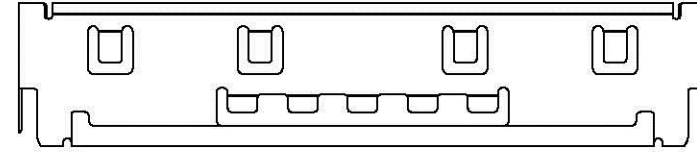
This document is the property of Targ Yu Enterprise and is delivered on the express condition that it is not to be disclosed, reproduced or used, in whole or in part, for manufacture or sale by anyone other than Targ Yu Enterprise without its prior consent, and that no right is granted to disclose or to use any information in this document.

Engineer Drawing

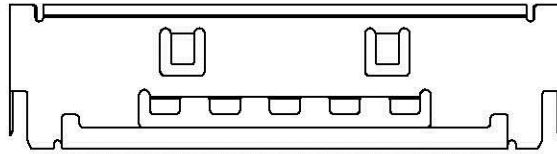
REV	ECN NO.	DESCRIPTION	DATE	APP'D
A/0		RELEASE TO PRODUCTION	10/30/09	Paul
A/1		MODIFY PACKAGING QUANTITY	11/14/12	Paul



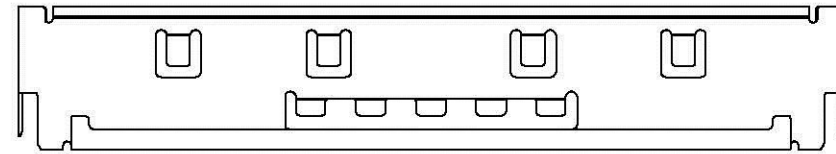
TS0506EMIPF-20-x



TS0506EMIPF-40-x



TS0506EMIPF-30-x



TS0506EMIPF-50-x

NOTES:

1. MATERIAL: PHOSPHOR BRONZE, C5191R-H. T=0.12mm
2. FINISH: AE TIN OVER NICKEL.
3. PACKING: 7K/REEL
4. ORDERING CODE : TS0506EMIPF-NP-*

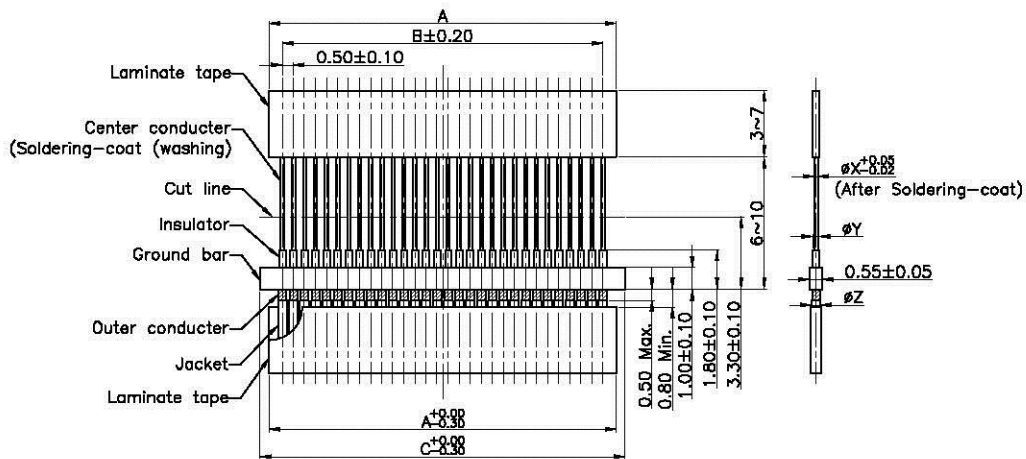
F FRONT SHELL ——— FINISH SEE NOTE 2
 ——— PIN NO.

TOLERANCE		APPROVALS		DATE	All Connectors	
X.	±0.30	DRAWN	<i>Fiao Lei</i>	11/14/12'	<small>www.allconnectors.de info@allconnectors.de Tel: +49 30 309084 Kottbusdamm 21</small>	
X.X	±0.25	CHK'D	<i>Paul Chen</i>	11/14/12'	PART NO.	TITLE: LVDS, PLUG, PITCH 0.50mm, COAXIAL CABLE, SOLDER TYPE, ASSEMBLY
X.XX	±0.15	APP'D	<i>Wayne Lai</i>	11/14/12'	TS0506HNO-NP-*—NL	
X.XXX	±0.08	UNITS mm	SCALE 1:1	SIZE: A4	EN-TS0506HNO-NP-*—NL	
ANGULA	3°	SHEET 4 OF 5		REV. A/1		
UNLESS OTHERWISE SPECIFIED						

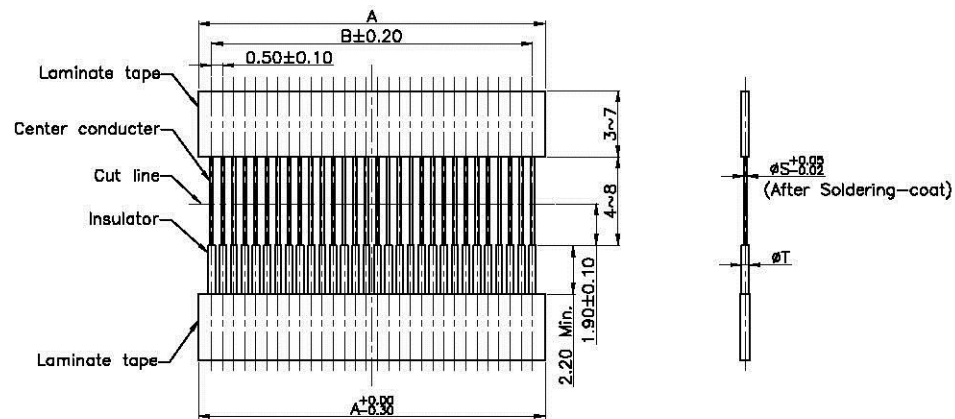
This document is the property of Targ Yu Enterprise and is delivered on the express condition that it is not to be disclosed, reproduced or used, in whole or in part, for manufacture or sale by anyone other than Targ Yu Enterprise without its prior consent, and that no right is granted to disclose or to use any information in this document.

Engineer Drawing

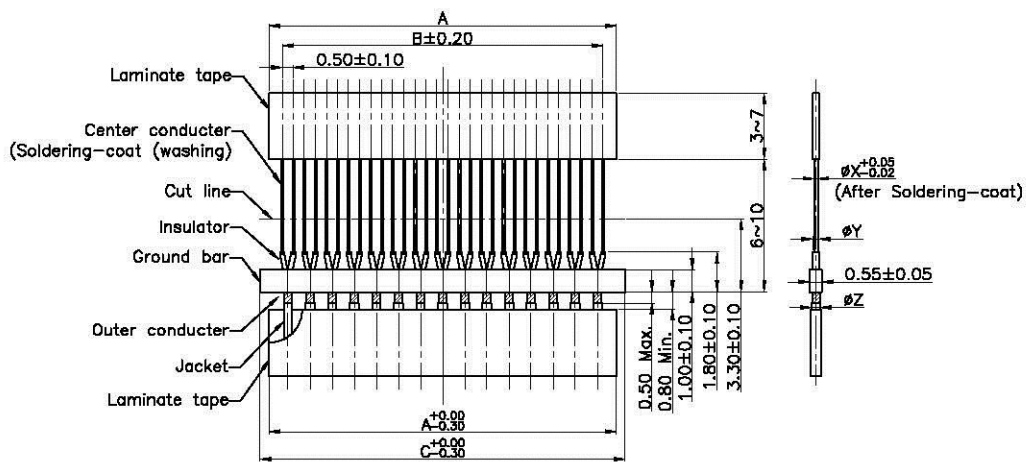
REV	ECN NO.	DESCRIPTION	DATE	APP'D
A/0		RELEASE TO PRODUCTION	10/30/09	Paul
A/1		MODIFY PACKAGING QUANTITY	11/14/12	Paul



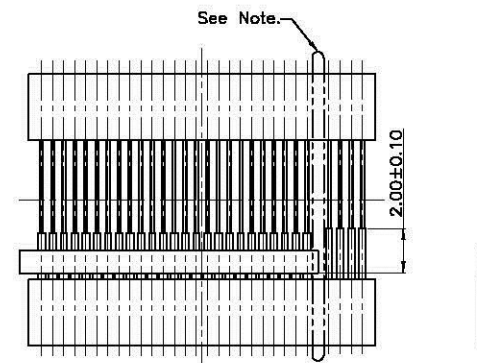
Recommended SGC Cable DIM.



Recommended Discrete cable DIM.



Recommended Twin coaxial cable DIM.



In case of hybrid of discrete and SGC (for Example)
Note. Between discrete and SGC Should be detached by one pitch Min. .

SGC Cable size

AWG	DIM. (mm)		
	X	Y	Z
#32	0.24	0.36	0.46
#34	0.19	0.33	0.43
#36	0.15	0.30	0.40
#38	0.12	0.30	0.40
#40	0.09	0.21	0.33

Discrete cable size

AWG	DIM. (mm)	
	S	T
#32	0.24	0.41
#34	0.18	0.32
#36	0.15	0.25

Pin	DIM. (mm)		
	A	B	C
20	10.70	9.50	11.50
30	15.70	14.50	16.50
40	20.70	19.50	21.50
50	25.70	24.50	26.50

TOLERANCE

X.	±0.30
X.X	±0.25
X.XX	±0.15
X.XXX	±0.08
ANGULA	J

UNLESS OTHERWISE SPECIFIED

APPROVALS	DATE
DRAWN <i>Floer Lot</i>	11/14/12'
CHK'D <i>Paul Chen</i>	11/14/12'
APP'D <i>Wayne Lot</i>	11/14/12'
UNITS mm	SCALE 1:1

All Connectors

www.allconnectors.de
Tel.: 0049 711 209450
Kaiserfeldstr. 20

in fo@allconnectors.de
Fax: 0049 711 209450
Kaiserfeldstr. 20

PART NO.	TITLE:
TS0506HNO-NP-*--NL	LVDS, PLUG, PITCH 0.50mm, COAXIAL CABLE, SOLDER TYPE, ASSEMBLY
DRAWING NO. EN-TS0506HNO-NP-*--NL	

SHEET 5 OF 5

REV. A/1