

This document is the property of Targ Yu Enterprise and is delivered on the express condition that it is not to be disclosed, reproduced or used, in whole or in part, for manufacture or sale by anyone other than Targ Yu Enterprise without its prior consent, and that no right is granted to disclose or to use any information in this document.

Engineer Drawing

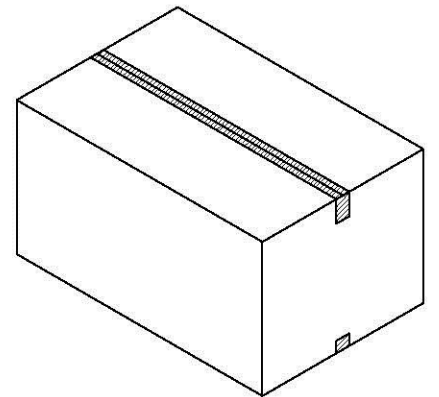
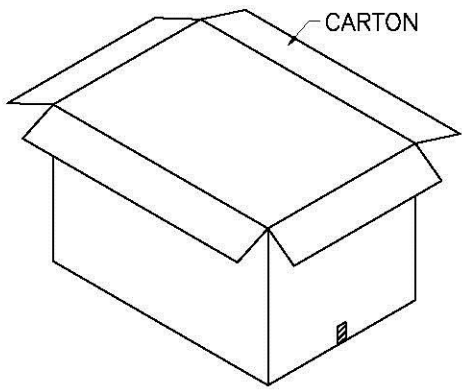
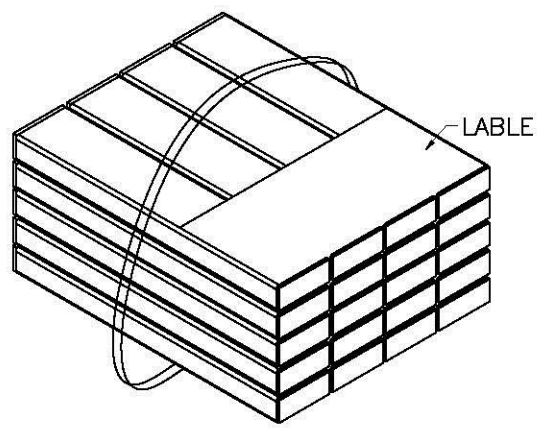
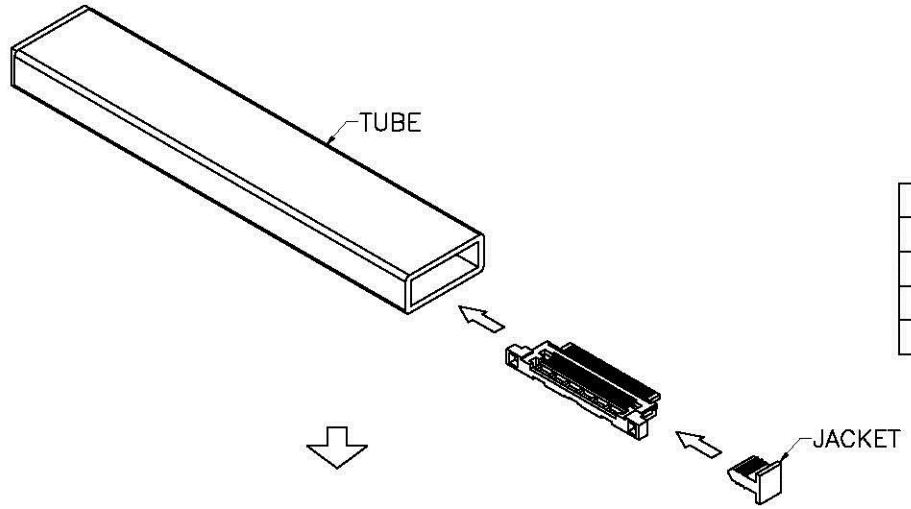
REV	ECN NO.	DESCRIPTION	DATE	APP'D
A/0	N/A	NEW DRAWING	11/28/13	Paul

PACKING MATERIAL

PART NAME	DIM(mm)
CARTON	525*210*170

PACKING CAPACITY

PART NO.	PCS/TUBE	TUBE/TIE	PCS/BC
TS0506HNO-20-BE-*-NL	25 PCS/RE	20 TUBE/BC	15,000 PCS/BC
TS0506HNO-30-BE-*-NL	19 PCS/RE	20 TUBE/BC	11,400 PCS/BC
TS0506HNO-40-BE-*-NL	16 PCS/RE	20 TUBE/BC	9,600 PCS/BC
TS0506HNO-50-BE-*-NL	14 PCS/RE	20 TUBE/BC	8,400 PCS/BC



TOLERANCE		APPROVALS		DATE	All Connectors	
X.X	±0.25	DRAWN	<i>Siuon Kong</i>	11/28/13'	www.allconnectors.com Tel: 0049 711 7005005 70754 Tüdingen/Blad - Germany	
X.XX	±0.15	CHK'D	<i>Paul Chen</i>	11/28/13'	info@allconnectors.com Fax: 0049 711 7005004 Kettelerstr. 25	
ANGULA	3'	APP'D	<i>Wayne Lai</i>	11/28/13'	PART NO. TS0506HNO-NP-BE-*-NL	
UNLESS OTHERWISE SPECIFIED		UNITS mm	SCALE 1:1	SIZE: A4	DRAWING NO. EN-TS0506HNO-NP-BE-*-NL	
				SHEET 2 OF 5		TITLE: LVDS, PLUG, PITCH 0.50mm, COAXIAL CABLE, SOLDER TYPE, ASSEMBLY
						REV. A/0

This document is the property of Targ Yu Enterprise and is delivered on the express condition that it is not to be disclosed, reproduced or used, in whole or in part, for manufacture or sale by anyone other than Targ Yu Enterprise without its prior consent, and that no right is granted to disclose or to use any information in this document.

Engineer Drawing

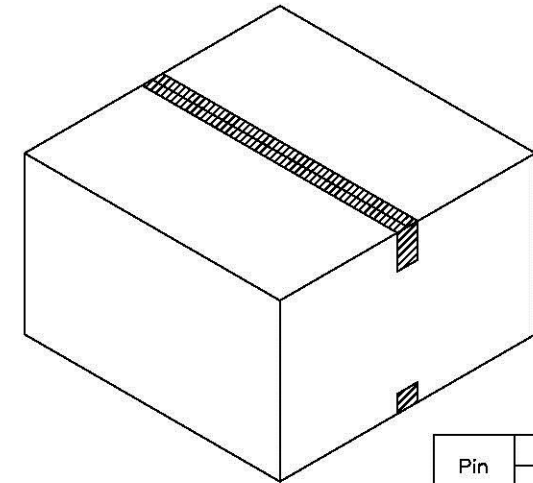
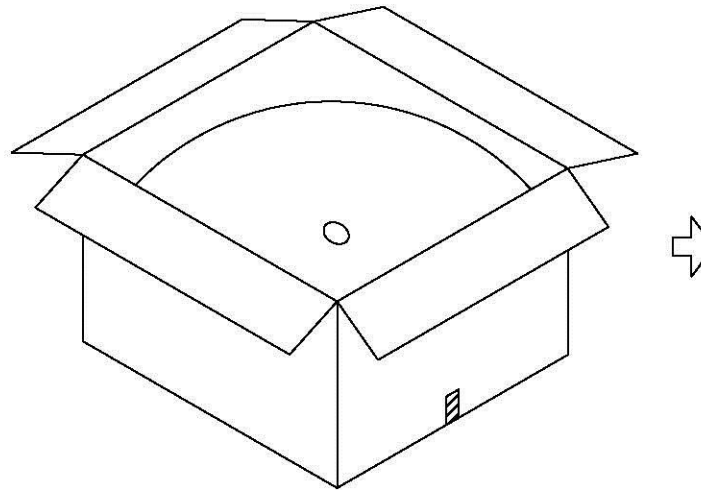
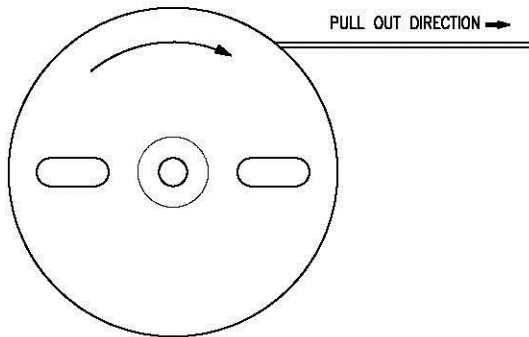
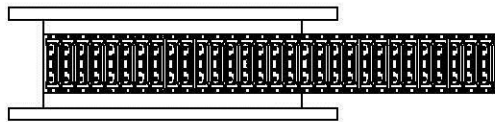
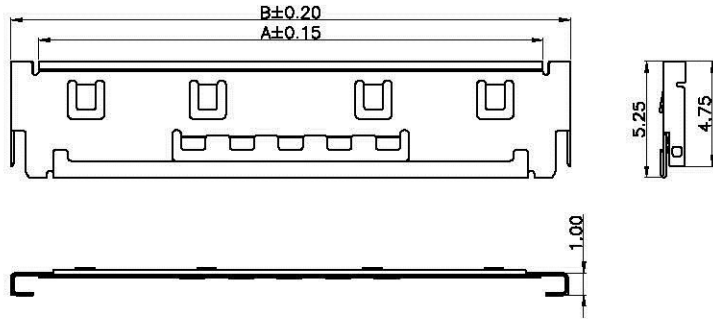
REV	ECN NO.	DESCRIPTION	DATE	APP'D
A/0	N/A	NEW DRAWING	11/28/13	Paul

PACKING MATERIAL

PART NAME	DIM(mm)
CARTON	470*470*210

PACKING CAPACITY

PART NO.	PCS/RE	RE/BC	PCS/BC
TS0506EMIPF-20-*	5,000PCS/RE	3 RE/BC	15,000 PCS/BC
TS0506EMIPF-30-*	5,000PCS/RE	3 RE/BC	15,000 PCS/BC
TS0506EMIPF-40-*	5,000PCS/RE	3 RE/BC	15,000 PCS/BC
TS0506EMIPF-50-*	5,000PCS/RE	3 RE/BC	15,000 PCS/BC



Pin	DIM:(mm)	
	A	B
20	12.80	15.30
30	17.80	20.30
40	22.80	25.30
50	27.80	30.30

NOTES:

- MATERIAL: PHOSPHOR BRONZE, C5191R-H. T=0.12mm
- FINISH: AE TIN OVER NICKEL.
- PACKING: 5K/REEL
- ORDERING CODE : TS0506EMIPF-NP-*

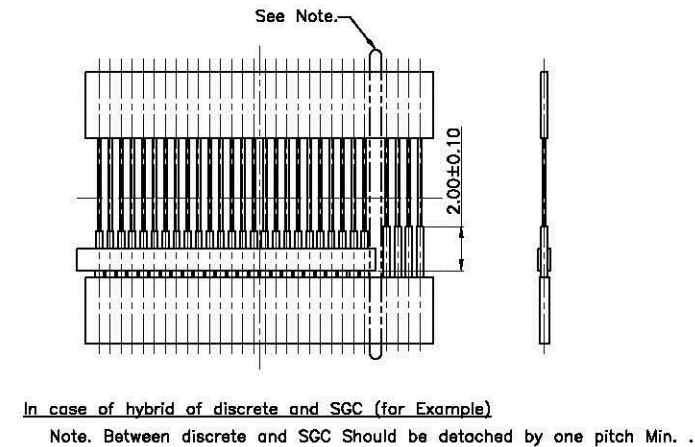
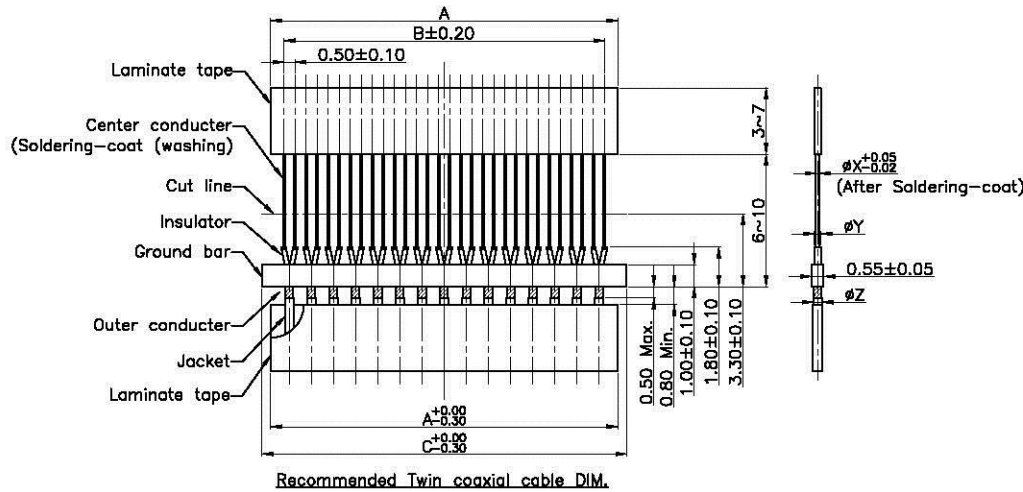
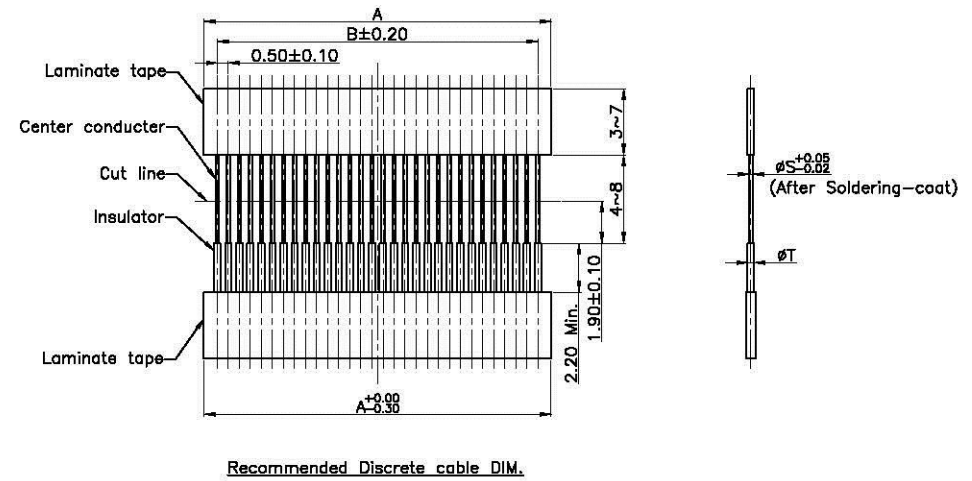
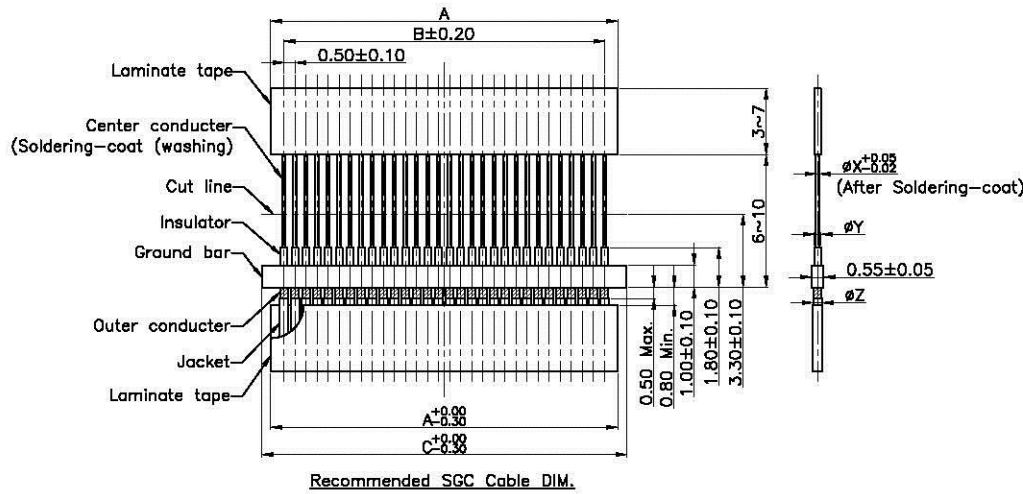
F FRONT SHELL FINISH SEE NOTE 2
 PIN NO.

TOLERANCE		APPROVALS		DATE	All Connectors	
X.X	±0.25	DRAWN	<i>Siuon Kong</i>	11/28/13'	www.allconnectors.de Tel: 0049 711 7069503 70754 Ellersdorf - Germany	
X.XX	±0.15	CHK'D	<i>Paul Chen</i>	11/28/13'	PART NO.	TITLE:
ANGULA	3°	APP'D	<i>Wayne Lai</i>	11/28/13'	TS0506HNO-NP-BE-*--NL	LVDS, PLUG, PITCH 0.50mm, COAXIAL CABLE, SOLDER TYPE, ASSEMBLY
UNLESS OTHERWISE SPECIFIED		UNITS mm	SCALE 1:1	SIZE: A4	EN-TS0506HNO-NP-BE-*--NL	REV. A/0

This document is the property of Targ Yu Enterprise and is delivered on the express condition that it is not to be disclosed, reproduced or used, in whole or in part, for manufacture or sale by anyone other than Targ Yu Enterprise without its prior consent, and that no right is granted to disclose or to use any information in this document.

Engineer Drawing

REV	ECN NO.	DESCRIPTION	DATE	APP'D
A/0	N/A	NEW DRAWING	11/28/13	Paul



Pin	DIM. (mm)		
	A	B	C
20	10.70	9.50	11.50
30	15.70	14.50	16.50
40	20.70	19.50	21.50
50	25.70	24.50	26.50

AWG	DIM. (mm)		
	X	Y	Z
#32	0.24	0.36	0.46
#34	0.19	0.33	0.43
#36	0.15	0.30	0.40
#38	0.12	0.30	0.40
#40	0.09	0.21	0.33

AWG	DIM. (mm)	
	S	T
#32	0.24	0.41
#34	0.18	0.32
#36	0.15	0.25

TOLERANCE		APPROVALS		DATE	All Connectors	
X.X	±0.25	DRAWN	<i>Siuw Kong</i>	11/28/13'	www.allconnectors.de	info@allconnectors.de
X.XX	±0.15	CHK'D	<i>Paul Chen</i>	11/28/13'	Tel: 0049 711 7005503	Fax: 0049 711 7009504
ANGULA	3'	APP'D	<i>Wayne Lai</i>	11/28/13'	70794 Filderstadt - Germany	Kette merstr. 25
UNLESS OTHERWISE SPECIFIED		UNITS mm	SCALE 1:1	SIZE: A4	PART NO. TS0506HNO-NP-BE-*--NL	
					DRAWING NO. EN-TS0506HNO-NP-BE-*--NL	
					TITLE: LVDS, PLUG, PITCH 0.50mm, COAXIAL CABLE, SOLDER TYPE, ASSEMBLY	
					SHEET 5 OF 5	
					REV. A/0	