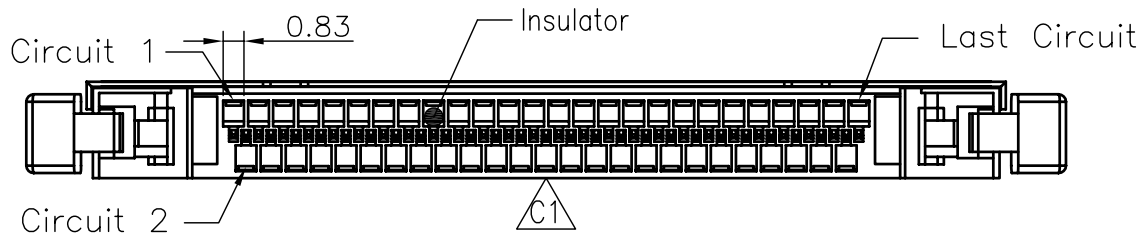
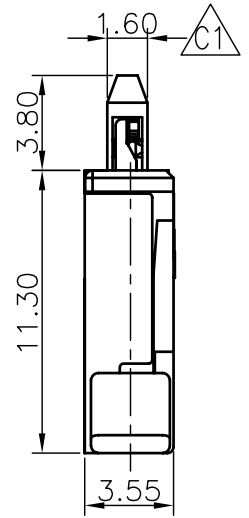
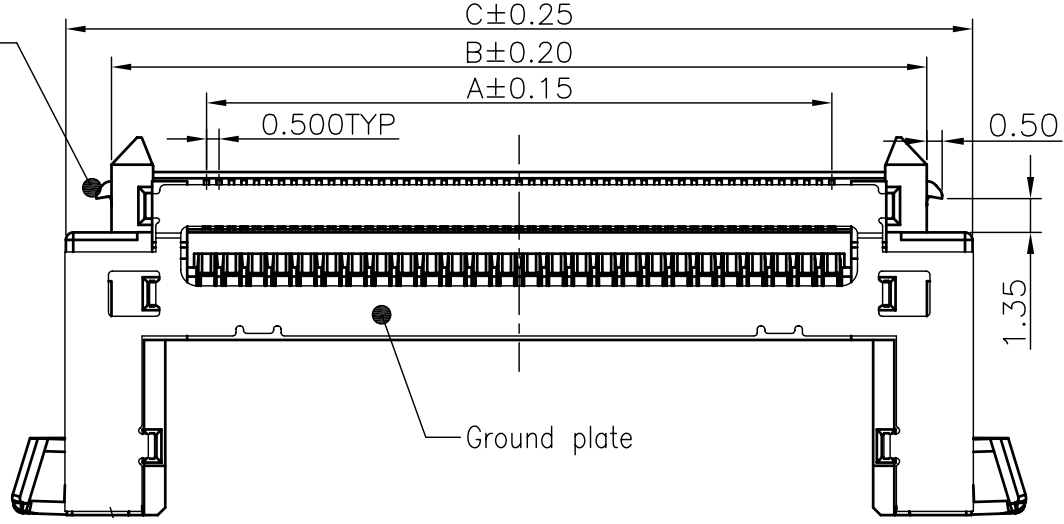
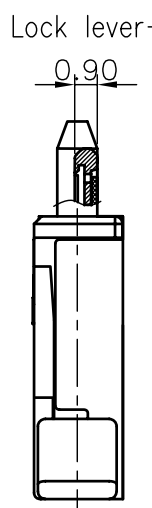




0.10



10500H00-NP-B-LP-NK
① ② ③ ④ ⑤ ⑥

- ① Series No.
- ② H90 : Side Contact
H00 : Up Contact
- ③ No. of Circuits
- ④ B : Mount type
- ⑤ Material: LP : LCP,UL 94V-0
- ⑥ Blank : With Mark
NK : Without Mark

Specifications:
 Rated Voltage : 200V AC/DC
 Rated Current : 0.7A AC,DC
 Withstand Voltage : 500V AC/minute
 Contact Resistance : 30mΩ(MAX.)
 Insulation Resistance : 100MΩ(MIN.)
 Temperature Range : -40°C~+85°C

Dimensional Ordering Information:				
Circuits	Part No	Dimensions		
		A	B	C
21	21P	10.00	17.60	21.25
31	31P	15.00	22.60	26.25
41	41P	20.00	27.60	31.25
51	51P	25.00	32.60	36.25

Suitable for 10500 series terminal

Part No.	Insulator	Color	Ground plate	Lock lever
10500H00-NP-B-LP	LCP,UL 94V-0	Black	Stainless	Stainless
10500H00-NP-B-LP-NK	LCP,UL 94V-0	Black	Stainless	Stainless

REV.	DATE	DESCRIPTION	CHK.	APPD.	UNIT	GENERAL TOLERANCE		DR.	 www.allconnectors.eu info@allconnectors.eu Tel. +49 (0)711 / 358 110 20 Fax +49 (0)711 / 358 110 25	PART NO.		
					mm	X.X ±0.25	X' ±5'	10500H00-NP-B-XX-XX				
						X.XX ±0.15	X.X' ±2'	NUMBER				
						X.XXX ±0.08	▲ MAJOR DIM.	ENDE05				
SCALE	SHEET	REV.										
1/1	1/1	C1										

All Connectors

www.allconnectors.eu | info@allconnectors.eu
Tel. +49 (0)711 / 358 110 20 | Fax +49 (0)711 / 358 110 25

TITLE
FI-RE 0.50mm PITCH CONN

PART NO.
10500H00-NP-B-XX-XX
NUMBER
ENDE05
SCALE 1/1
SHEET 1/1
REV. C1