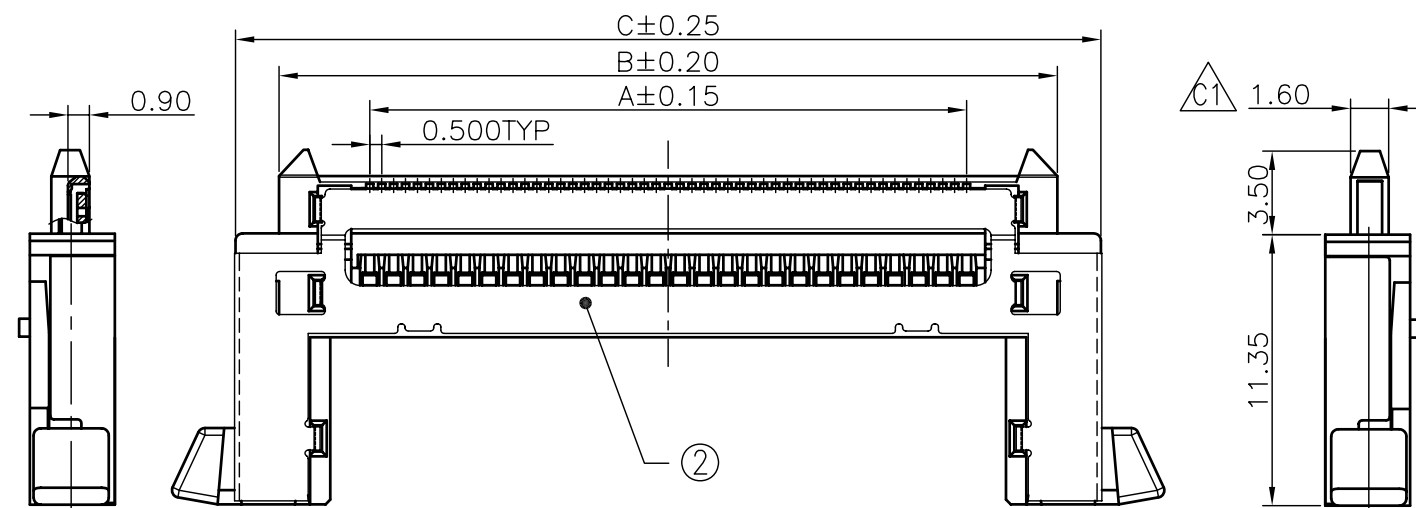
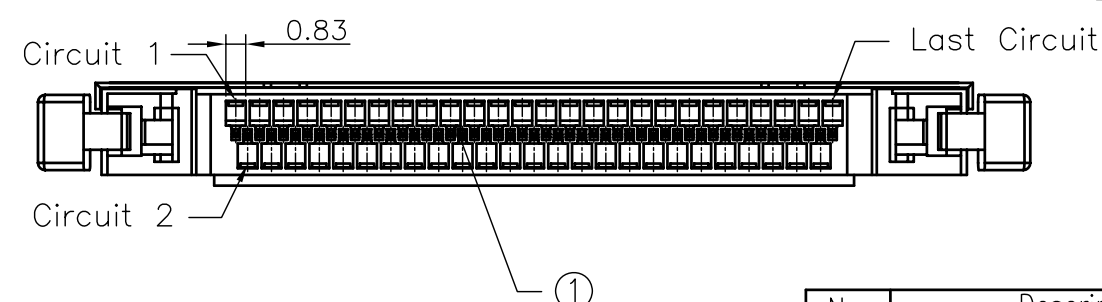


Specifications:
 Rated Voltage : 200V AC/DC
 Rated Current : 0.7A AC,DC
 Withstand Voltage : 500V AC/minute
 Contact Resistance : 30mΩ(MAX.)
 Insulation Resistance : 100MΩ(MIN.)
 Temperature Range : -40°C~+85°C



10500H00-NP-A-LP
 ① ② ③ ④ ⑤
 ① Series No.
 ② H90 : Side Contact
 H00 : Up Contact
 ③ No. of Circuits
 ④ A: Without mount type
 ⑤ Material: LP : LCP,UL 94V-0



Dimensional Ordering Information:			
Circuits Part No	Dimensions		
	A	B	C
21P	10.00	17.60	21.25
31P	15.00	22.60	26.25
41P	20.00	27.60	31.25
51P	25.00	32.60	36.25

Suitable for 10500 series terminal

No.	Description	Material	Color
1	Insulator	LCP,UL 94V-0	Natural(Black)
2	Ground plate	Stainless	---

JAE FIX Type				GENERAL TOLERANCE		DR.	All Connectors	PART NO.			
				X.X ±0.25	X' ±5'			10500H00-NP-A-LP			
				X.XX ±0.15	X.X' ±2'	CHK.	NUMBER				
				X.XXX ±0.08	▲ MAJOR DIM.		ENDE05				
CO	10.07.10			UNIT		CHK.	TITLE				
REV.	DATE	DESCRIPTION	CHK.	mm			FI-RE 0.50mm PITCH CONN				
						APPD.	SCALE		SHEET	REV.	
							1/1				1/1