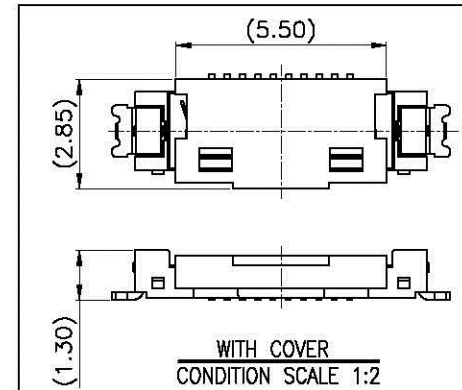
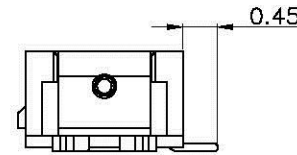
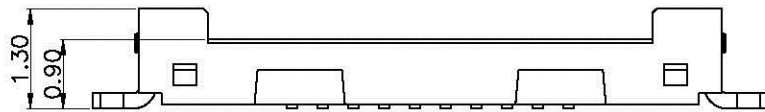
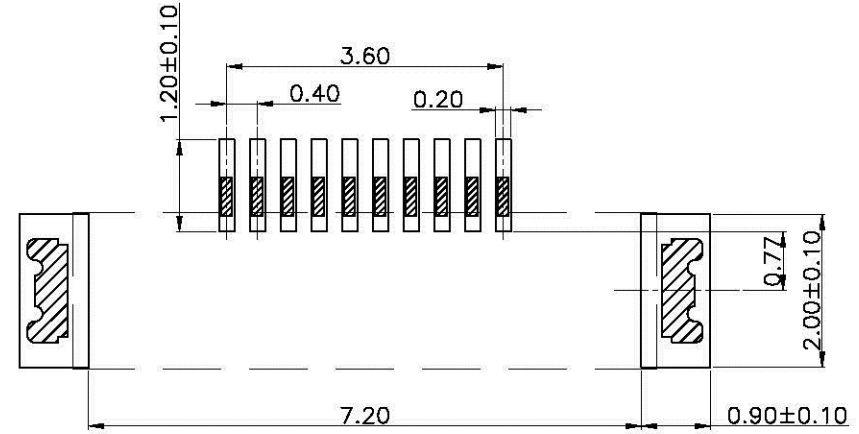
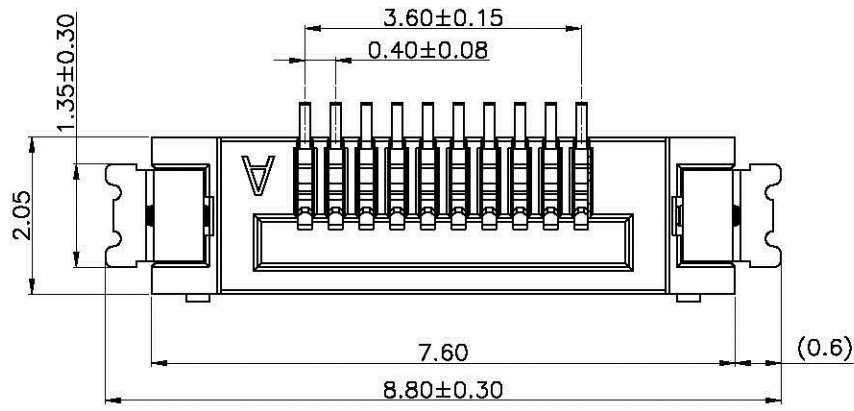


This document is the property of Targ Yu Enterprise and is delivered on the express condition that it is not to be disclosed, reproduced or used, in whole or in part, for manufacture or sale by anyone other than Targ Yu Enterprise without its prior consent, and that no right is granted to disclose or to use any information in this document.

Engineer Drawing

REV	ECN NO.	DESCRIPTION	DATE	APP'D
A/0	N/A	NEW DRAWING	03/17/14	Paul



- NOTES:
- MATERIAL
 HOUSING(HALOGEN FREE): LCP, UL94V-0(BLACK)
 COVER(HALOGEN FREE): LCP, UL94V-0(BLACK)
 CONTACT: COPPER ALLOY, t=0.10mm
 SOLDER TAB: COPPER ALLOY, t=0.20mm
 - CONTACT FINISH: GOLD FLASH OVER NICKEL
 - ORDERING CODE: TD0401WNV-NPS-NL-C-A

PIN NO. _____ TAPE REEL PACKING
 SMT-TYPE _____ WITH COVER
 HALOGEN FREE _____

TOLERANCE		APPROVALS		DATE	All Connectors	
X.X	±0.30	DRAWN	<i>Siuw Kong</i>	03/17/14	www.allconnectors.de	info@allconnectors.de
X.XX	±0.20	CHK'D	<i>Paul Shen</i>	03/17/14	TEL: 0049 711 309910	FAC: 0049 711 309910
ANGULA	3°	APP'D	<i>Wayne Lai</i>	03/17/14	20179 Hildesheim - Germany	Kette: master.ctb
UNLESS OTHERWISE SPECIFIED		UNITS	SCALE	SIZE:	PART NO.	TITLE:
		mm	1:1	A4	TD0401WNV-NPS-NL-C-A	LVDS, RECEPTACLE, PITCH 0.40mm, VERTICAL, SMT TYPE, ASSEMBLY
					DRAWING NO. EN-TD0401WNV-NPS-NL-C-A	
					⊗ SHEET 1 OF 1	REV. A/0