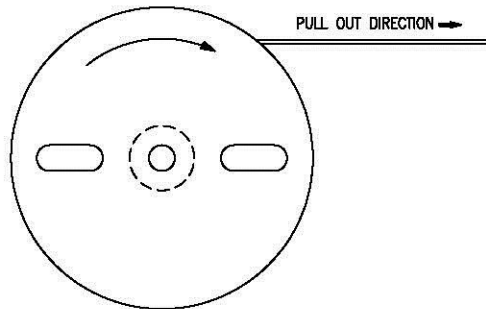
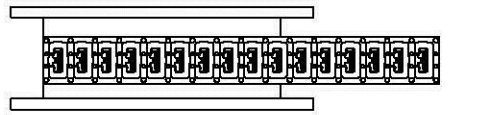
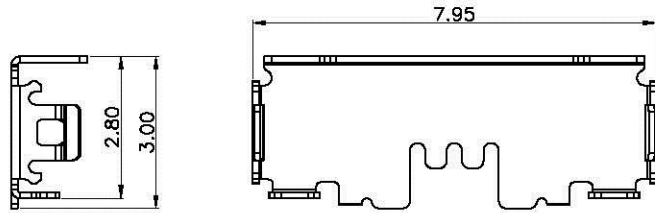


This document is the property of Targ Yu Enterprise and is delivered on the express condition that it is not to be disclosed, reproduced or used, in whole or in part, for manufacture or sale by anyone other than Targ Yu Enterprise without its prior consent, and that no right is granted to disclose or to use any information in this document.

Engineer Drawing

REV	ECN NO.	DESCRIPTION	DATE	APP'D
A/0	N/A	RELEASE TO PRODUCTION	10/18/11	Paul
A/1	N/A	PRODUCT CONFIGURATION MODIFY	05/29/12	Paul
A/2	N/A	UPDATE DRAWING	12/21/13	Paul

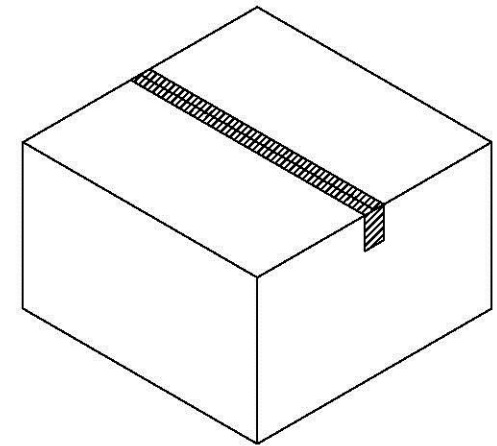
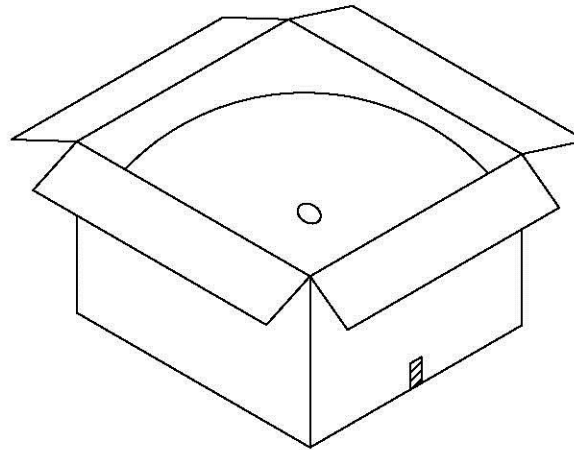


PACKING MATERIAL

PART NAME	DIM(mm)
CARTON	470*470*210

PACKING CAPACITY

PART NO.	PCS/RE	RE/BC	PCS/BC
TD0401EMIIPF-40-*	5,000PCS/RE	3 RE/BC	15,000 PCS/BC



NOTES:

- MATERIAL: PHOSPHOR BRONZE T=0.12mm
- FINISH: A--TIN-PLATED OVER NICKEL
AE--PRESSING BEFORE TIN-PLATED OVER NICKEL
GO--GOLD FLASH OVER NICKEL
- PACKING: 5K/REEL
- ORDERING CODE: TD0401EMIIPF-10-*

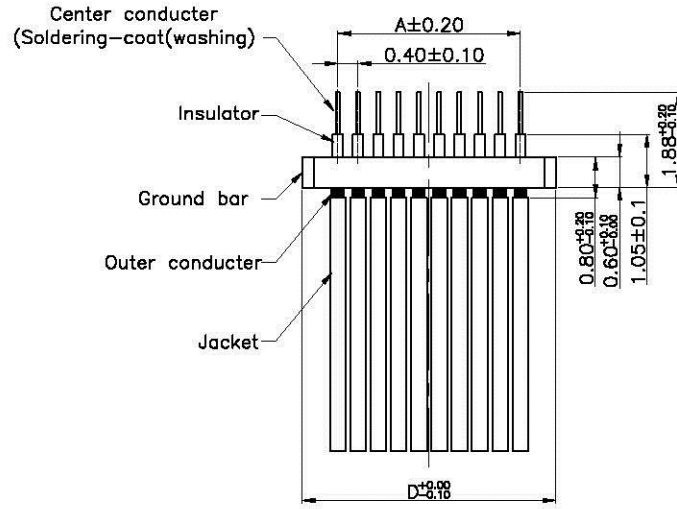
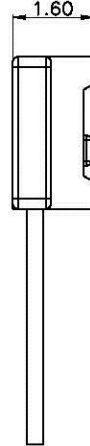
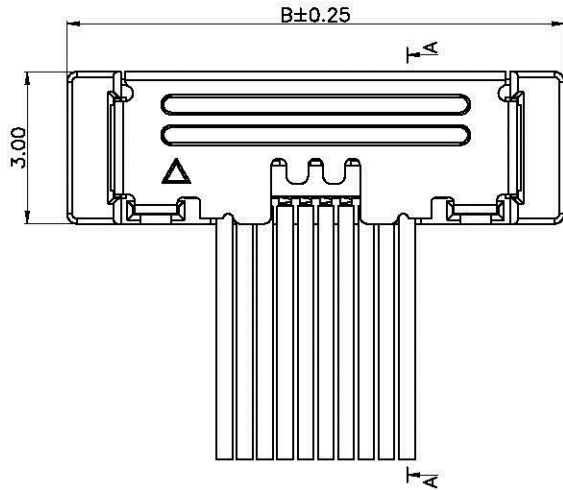
F FRONT SHELL
PIN NO. FRONT SHELL FINISH
SEE NOTE 2

TOLERANCE		APPROVALS		DATE	All Connectors	
X.X	±0.25	DRAWN	<i>Suen Kong</i>	12/21/13	www.allconnectors.com Tel: 0049 411 200500 70734 Hildersstadt - Germany info@allconnectors.com Fax: 0049 411 200501 Kette 16 Str. 23	
X.XX	±0.15	CHK'D	<i>Paul Chen</i>	12/21/13	PART NO.	TITLE:
ANGULA	3°	APP'D	<i>Wayne Lai</i>	12/21/13	TD0401HNO-NP-*--NL	WIRE TO BOARD, PLUG, PITCH 0.40mm, INSULATOR INSERTMOLDING
UNLESS OTHERWISE SPECIFIED		UNITS mm	SCALE 1:1	SIZE: A4	DRAWING NO.	EN-TD0401HNO-NP-*--NL
				SHEET 2 OF 3		REV. A/2

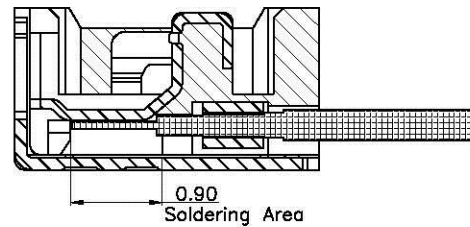
This document is the property of Targ Yu Enterprise and is delivered on the express condition that it is not to be disclosed, reproduced or used, in whole or in part, for manufacture or sale by anyone other than Targ Yu Enterprise without its prior consent, and that no right is granted to disclose or to use any information in this document.

Engineer Drawing

REV	ECN NO.	DESCRIPTION	DATE	APP'D
A/0	N/A	RELEASE TO PRODUCTION	10/18/11	Paul
A/1	N/A	PRODUCT CONFIGURATION MODIFY	05/29/12	Paul
A/2	N/A	UPDATE DRAWING	12/21/13	Paul



Recommended SGC Cable DIM.



DETAIL A: (SCALE 2:1)

SGC Cable size

AWG	DIM. (mm)		
	X	Y	Z
#32	0.24	0.36	0.46
#34	0.19	0.33	0.43
#36	0.15	0.30	0.40
#38	0.12	0.30	0.40
#40	0.09	0.21	0.33
#42	0.07	0.20	0.31

Pin	DIM.(mm)			
	A	B	C	D
10	3.60	9.80	8.60	5.00
14	5.20	11.40	10.20	6.60
20	7.60	13.80	12.60	9.00
30	11.60	17.80	16.60	13.00
32	12.40	18.60	17.40	13.80
40	15.60	21.80	20.60	17.00
50	19.60	25.80	24.60	21.00

TOLERANCE	X.X ±0.25 X.XX ±0.15 ANGULA 3° UNLESS OTHERWISE SPECIFIED	APPROVALS		DATE		
		DRAWN	<i>Suren Kong</i>	12/21/13		
		CHK'D	<i>Paul Chen</i>	12/21/13	www.allconnectors.de TEL.: 0049 711 7005503 70754 Filderstadt - Germany	
		APP'D	<i>Wayne Lai</i>	12/21/13	info@allconnectors.de Fax: 0049 711 7005504 Kettnerstr. 25	
		UNITS mm	SCALE 1:1	SIZE: A4	PART NO. TD0401HNO-NP-*--NL DRAWING NO. EN-TD0401HNO-NP-*--NL	TITLE: WIRE TO BOARD, PLUG, PITCH 0.40mm, INSULATOR INSERTMOLDING
					SHEET 3 OF 3	REV. A/2