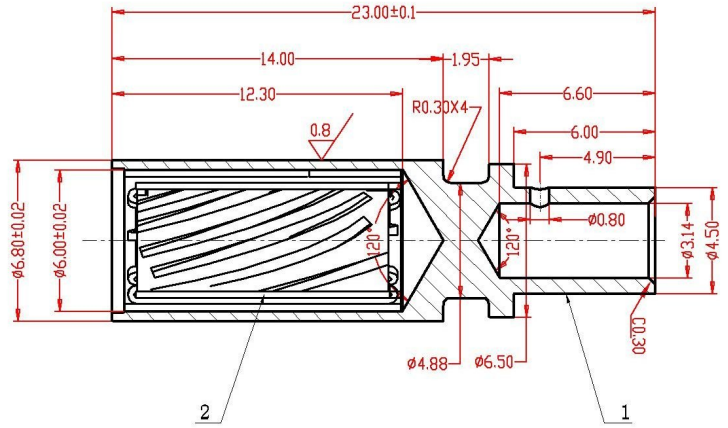
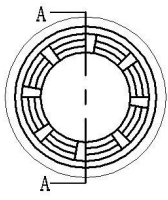


A B C D E F G H I J

ECN	REV	DESCRIPTION	DATE



1) A Ø3.60 hardened steel pin must engage socket with a force not greater than 4.5LB. Following this a Ø3.60 hardened steel pin shall disengage socket with a force not less than finish of 3microinch and a spherical tip.

2) Although actual data may vary with the style of connector, typical thermal rise data after 500 cycles of durability is:
 Size 8 AWG socket:
 38° C @ 46 amps and 78° C @ 69 amps
 These are very favorable temperature rises for the most demanding applications.

3) Housing Material: China-T2;ASTM-C11000;
 Germany-DIN ECu-58 or 2.0090
 CHEMICAL COMPOSITION % (Weight):
 CuAg99.9%, Bi0.001%, Sb0.002%, As0.002%

2	1	NEWSOK SOCKET	Cu-Pb2um, Ni2um ,Ag4um
1	1	HOUSING	Cu-Pb2um, Ni2um ,Ag4um
POS	QTY	NAME	Surface Plated

	SCALE	TOLERANCES ARE:	
	1 F 1	DECIMALES	
SHEET	DIMENSION	APPROVALS	ANGLES
1 OF 1	MM	APPROVED: James	±1°
NO	TZ09070201	CHECKED: Alex	DATE
		CHECKED: Raymond	22/07/08
		DRAWN: LI WEI	22/07/08
REV.	AO		

TITLE: 3.60mm NEWSOK ALLCONNECTOR

Material T2/C11000



www.allconnectors.eu | info@allconnectors.eu
 Tel. +49 (0)711 / 358 110 20 | Fax +49 (0)711 / 358 110 25

A B C D E F G H I J