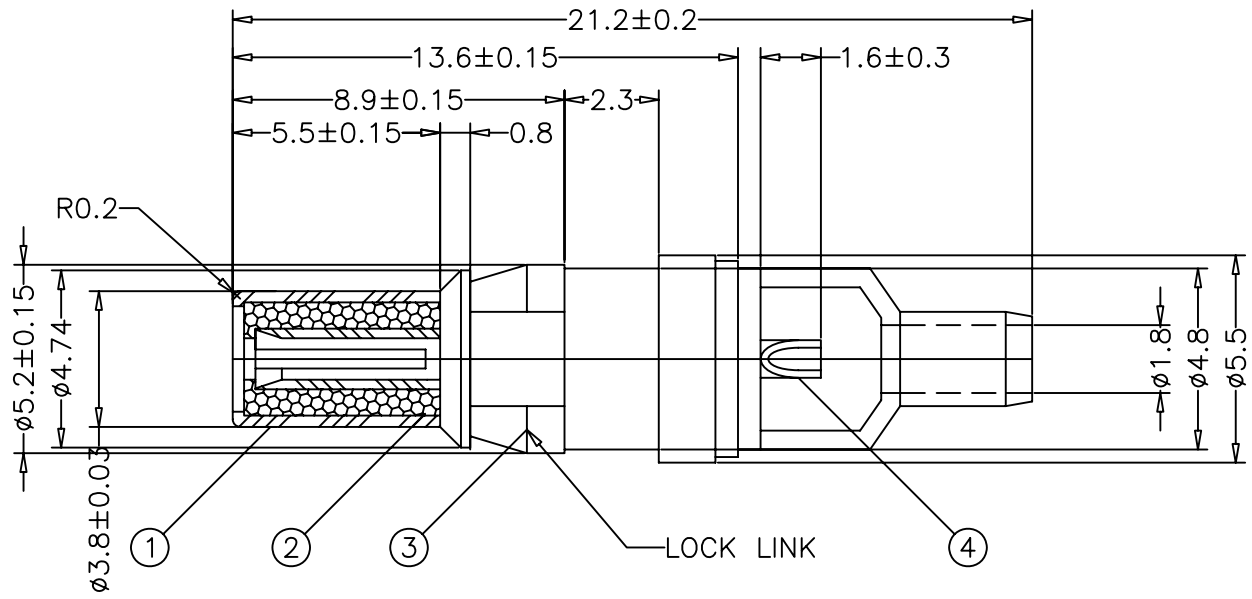
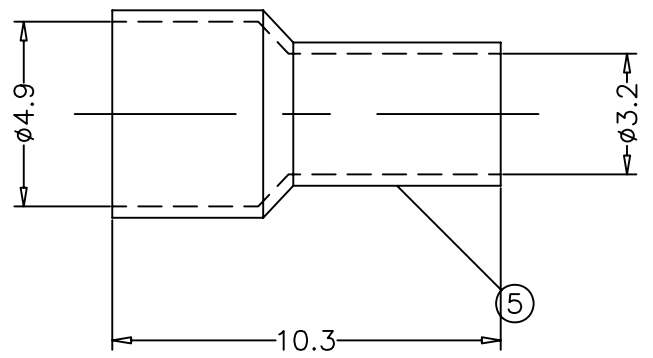


1 2 3 4 5 6 7 8 9 0

J
I
H
G
F
E
D
C
B
A



DXS-M-xx-LF
LEADFREE
50:50 OHM
75:75 OHM
RoHS Compliant



NO.	DESCRIPTION	MATERIAL	FINISH OR OTHER
1	Body	Brass	Gold flash or Gold plated over 1.27um (50u") Nickel
2	INSULATOR	TEFLON	UL 94V-0 OLOR WHITE
3	LOCK LINK	Brass	Nickel plated
4	CENTER CONTACT	Brass	Gold flash or Gold plated over 1.27um (50u") Nickel
5	SLEEVE	Brass	Gold flash OVER 1.27um (50u") Nickel

Allconnectors
www.allconnectors.eu | info@allconnectors.eu
Tel. +49 (0)711 / 358 110 20 | Fax +49 (0)711 / 358 110 25

PART NO. DXS-M-xx

DWG NO. DXS-M-xx

CHECKED BY CY

FILE NO.

DRAWING BY

TOLERANCES ARE
.X ± 0.2
.XX ±
.XXX ±
AWG

UNIT / mm

SCALE 1:1

PROJECTION

DESCRIPTION:
AREA

Coaxial Receptacle Contact
(Straight Solder Cup Type)
REVISIONS
HK
DATE