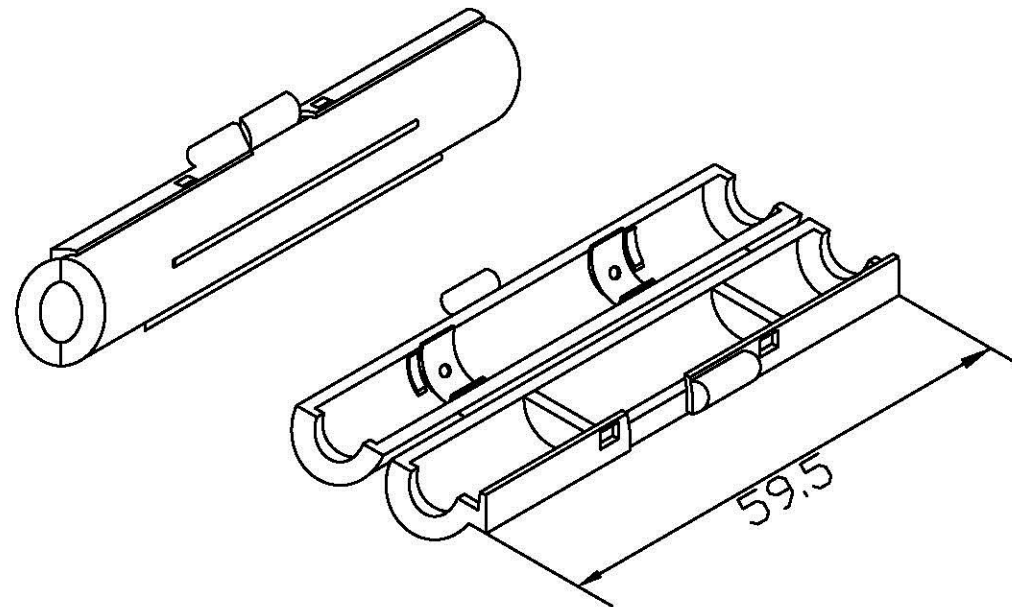


## *FUSE HOLDERS E851-K*

Features:

unit:mm

- \* MATERIAL: NYLON
- \* MATES WITH: E851 SERIES TERMINAL
- \* RATING VOLTAGE: AC/250, DC/350V
- \* RATING CURRENT: 10A
- \* TEMPERATURE RANGE:  $-25^{\circ}$  TO  $+85^{\circ}$ C



**Allconnectors**

www.allconnectors.de  
Tel.: 0049 711 7009503  
70794 Filderstadt - Germany

info@allconnectors.de  
Fax: 0049 711 7009504  
Kettnerstr. 25