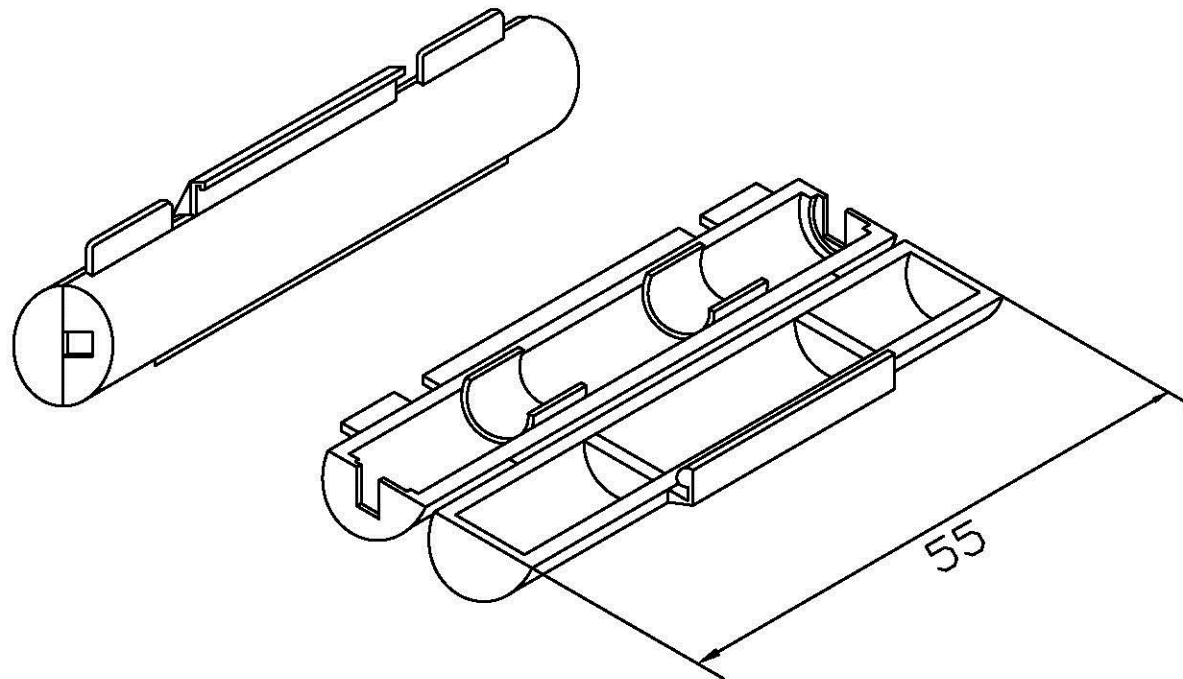


FUSE HOLDERS E851H

Features:

unit:mm

- * MATERIAL: NYLON
- * MATES WITH: E851 SERIES TERMINAL
- * RATING VOLTAGE: AC/250, DC/350V
- * RATING CURRENT: 10A
- * TEMPERATURE RANGE: -25° TO $+85^{\circ}\text{C}$



Allconnectors

www.allconnectors.de
Tel.: 0049 711 7009503
70794 Filderstadt - Germany

info@allconnectors.de
Fax: 0049 711 7009504
Kettnerstr. 25