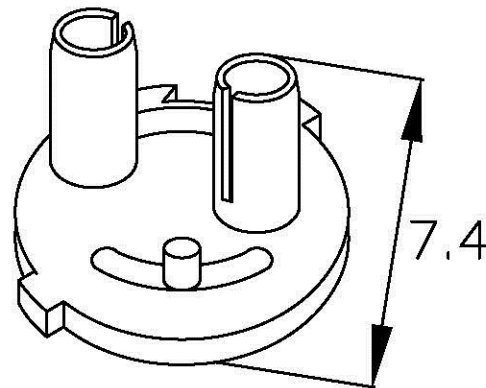


## *FUSE HOLDERS E841-2PL E841-2PA*

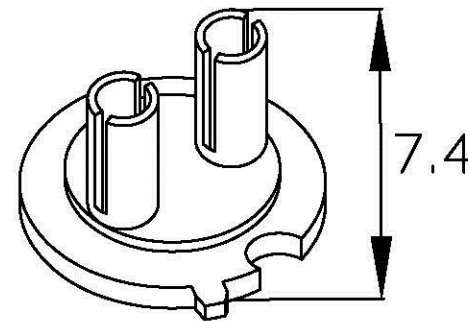
unit:mm

### FEATURES:

- \* MATERIAL: NYLON
- \* RATING VOLTAGE : AC/250, DC/350V
- \* RATING CURRENT: 5A
- \* TEMPERATURE RANGE: -25° TO +85°C



*E841-2PL*



*E841-2PA*