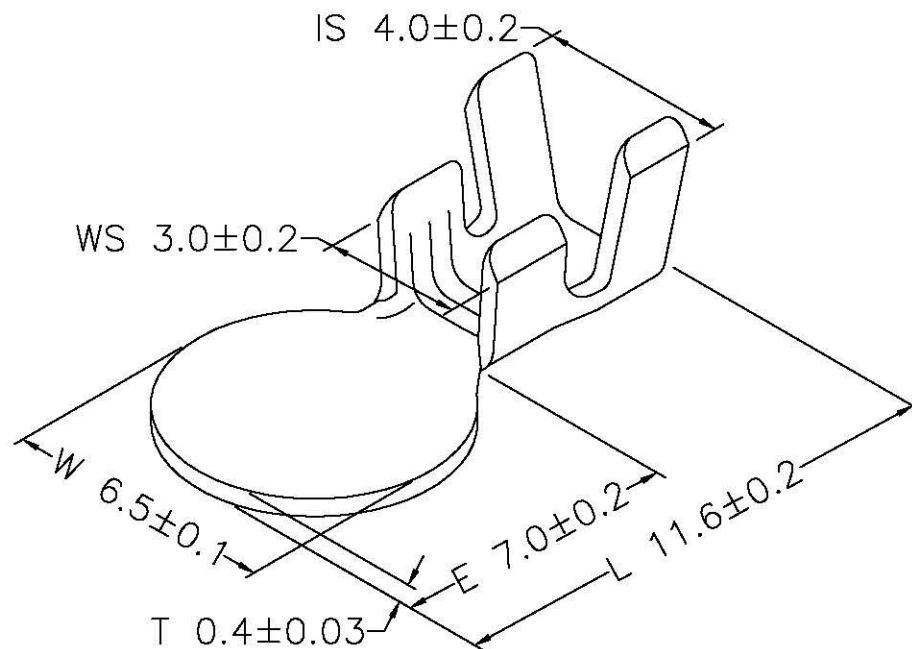
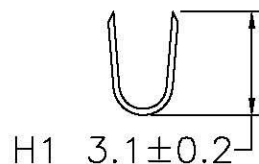
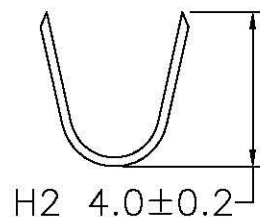
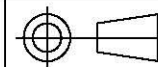


文件名称 File Name	产品规格表 Product Specification								
文件编号 File NO.									
产品料号 Part NO.	K650351KS1								
规格 Spec.	-								
材质 Material	碳素钢 (Steel)								
配合公端 Connection Table	-								
包装数量 Pack Q' TY	15000pcs/Reel								
适用电线 Applicable Wires	18-22AWG								
单重 weight single	-								
尺寸单位 Units	mm								
UL NO.	-								
表面处理 Surface Treatment	<input type="checkbox"/> 素材 None <input checked="" type="checkbox"/> 镀镍 Nickel Plating <input type="checkbox"/> 镀锡 Tin Plating <input type="checkbox"/> 抛光 Chemical Grinding <input type="checkbox"/> 镀银 Silver Plating <input type="checkbox"/> 镀金 Gold Plating								
一、未注明参考尺寸公差: General tolerance for reference dimension	<table border="0"> <tr> <td>0</td><td>±0.2</td><td>0.0</td><td>±0.2</td> </tr> <tr> <td>0.00</td><td>±0.1</td><td>0.000</td><td>±0.05</td> </tr> </table>	0	±0.2	0.0	±0.2	0.00	±0.1	0.000	±0.05
0	±0.2	0.0	±0.2						
0.00	±0.1	0.000	±0.05						
二、角度公差: ±3° ANGLE UNITS									
三、适用范围: APPLICABILITY									
四、检查项目: CHECK ITEM	1、尺寸量测及规格确认。(量测部位以标英文字母为主) DIMENSION MENSION MEASUREMENT AND SPECIFICATION CONFIRMATION. (THE MEASUREMENT PART IS MARK THE ENGLISH LETTER OF ALPHABET FOR THE LORD) 2、外观: 目视(30-50cm)不可有腐蚀、刮伤或氧化现象。 Appearance: Visual inspection (30-50cm) Terminal without corrosion, scratched or oxidized								
五、符合ROHS或客户环保要求 RoHS Pass or Fulfilled Customer's Requirement									
六、备注: NOTE									



版本:
REV.



所下载之产品规格表仅供参考用 The products of download is only for reference

DESCRIPTION (修改内容)

APPD (核准)

DATE (日期)